

4

3

2

1

THIS DRAWING IS UNPUBLISHED.

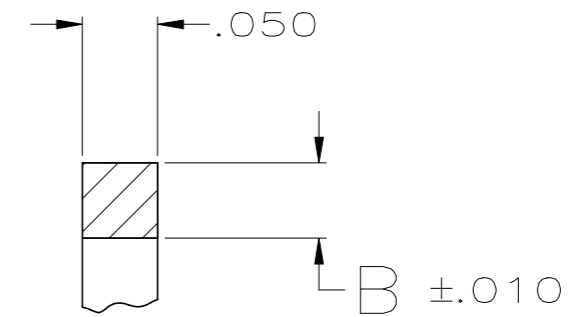
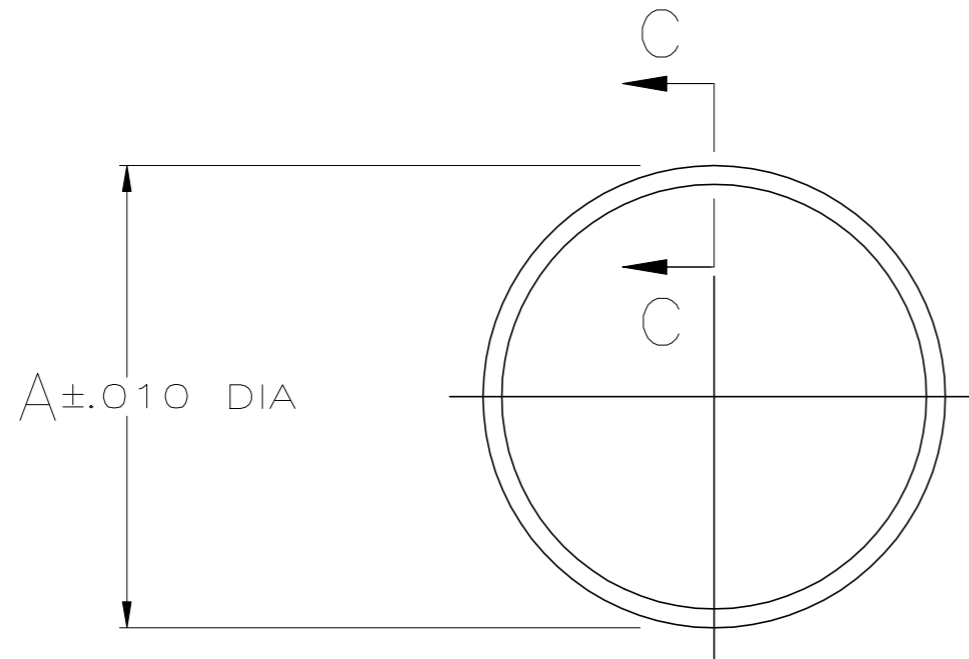
RELEASED FOR PUBLICATION

ALL RIGHTS RESERVED.

© COPYRIGHT - By -

REVISIONS

P	LTR	DESCRIPTION	DATE	DWN	APVD
	A	NEW DRAWING PER ECO-19-000698	17JAN2019	RS	MZ
	B	REVISED PER ECO-19-006047	17APR2019	RS	MZ
	C	REVISED PER ECO-19-008255	30MAY2019	RS	MZ


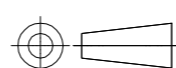


SECTION C-C  
SCALE 8:1

NOTES

- PARTS ARE EU DIRECTIVE 2015/863 (ROHS 2019) COMPLIANT
- MATERIAL: NITRILE BUTADIENE RUBBER, BLACK COLOR.

.650	.041	13	2267473-4
1.230	.050	23	2267473-3
.875	.050	17	2267473-2
.514	.041	11	2267473-1
A	B	SHELL SIZE	PART NUMBER

THIS DRAWING IS A CONTROLLED DOCUMENT.		DWN RAVI.S 17JAN2019	 TE Connectivity PERIPHERAL SEAL, CPC		
DIMENSIONS: INCHES		CHK MARK ZITTO 17JAN2019			
		APVD MARK ZITTO 17JAN2019			
TOLERANCES UNLESS OTHERWISE SPECIFIED:		NAME			
0 PLC ± - 1 PLC ± - 2 PLC ± - 3 PLC ± .005 4 PLC ± - ANGLES ± -		PRODUCT SPEC	RESTRICTED TO		
MATERIAL ELASTOMER, GRAY		FINISH -	APPLICATION SPEC	-	
		WEIGHT -	SIZE A3	CAGE CODE 00779	DRAWING NO C-2267473
CUSTOMER DRAWING			SCALE 2:1	SHEET 1 OF 1	REV C