

GUARNIZIONE GOMMA SILICONICA
 (GASKET, SILICON RUBBER)

LOGO "AMP"
 ("AMP" TRADE MARK)

1) PER RAPPRESENTAZIONE DIMA CONTROPARTE
 VEDERE FOGLIO 2 DI 2.
 (FOR COUNTERPART DETAIL SEE SEET 2 OF 2)

OBSOLETE	GRIGIO (GREY)	PA 6.6 CAR. VETRO	282089-2
	NERO (BLACK)	(PA 6.6 G.F.)	282089-1
	FINITURA / COLORE (FINISH / COLOUR)	MATERIALE (MATERIAL)	NUMERO (PART NUMBER)

CUSTOMER DWG. FOR REFERENCE ONLY		DISEGNO PER CLIENTE SOLO PER RIFERIMENTO	
C2	REVISED PER ET00-0008-04	P.Z. R.M.	7-4 98
C1	REVISED FOR ET00-0072-98	M.P.	7-4 98
C	UP-DATED ET00-0490-97	MP	7-4 98
B	obsolete P/N -2, ET00-0242-97	MP	7-4 98
A1	UP-DATED (ET00-0342-96)	C B	9-96
A	SEE SHEET 2 of 2	C B	9-96
6	UP-DATED	C B	11-92
5	UP-DATED	C B	10-92
4	ADDED PN ...-2	C B	8-92
3	UP-DATED	C B	1-92
2	UP-DATED	C B	7-90
REV.	REVISIONI (REVISION RECORD)	DIS. DATA (DR) (DATE)	

THIS DRAWING IS UNPUBLISHED
 © COPYRIGHT 19 BY AMP INCORPORATED, HARRISBURG, PA. ALL INTERNATIONAL RIGHT RESERVED. AMP PRODUCTS MAY BE COVERED BY U.S. AND FOREIGN PATENT AND/OR PATENT PENDING

AMP ITALIA S.p.A.
 Corso F.lli Cervi, 15
 COLLENO (TORINO)

DESCRIZIONE (DESCRIPTION) 5 POS. PLUG ASS'Y
 AMP SUPERSEAL 1.5 SERIES CONNECTORS

LOC. SIZE NUMERO (DWG NO) REV. FOGLIO (SHEET)
 I A3 C-282089 C2 1 DI (OF) 2

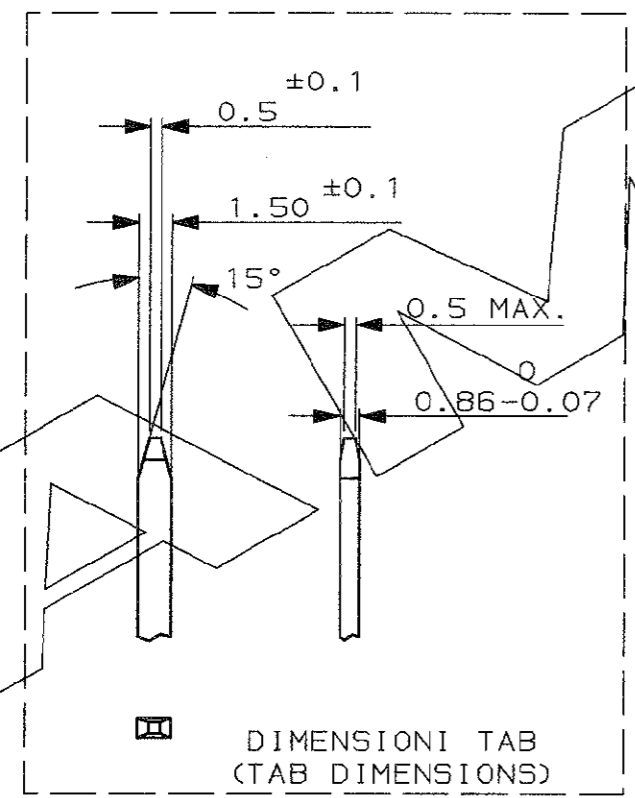
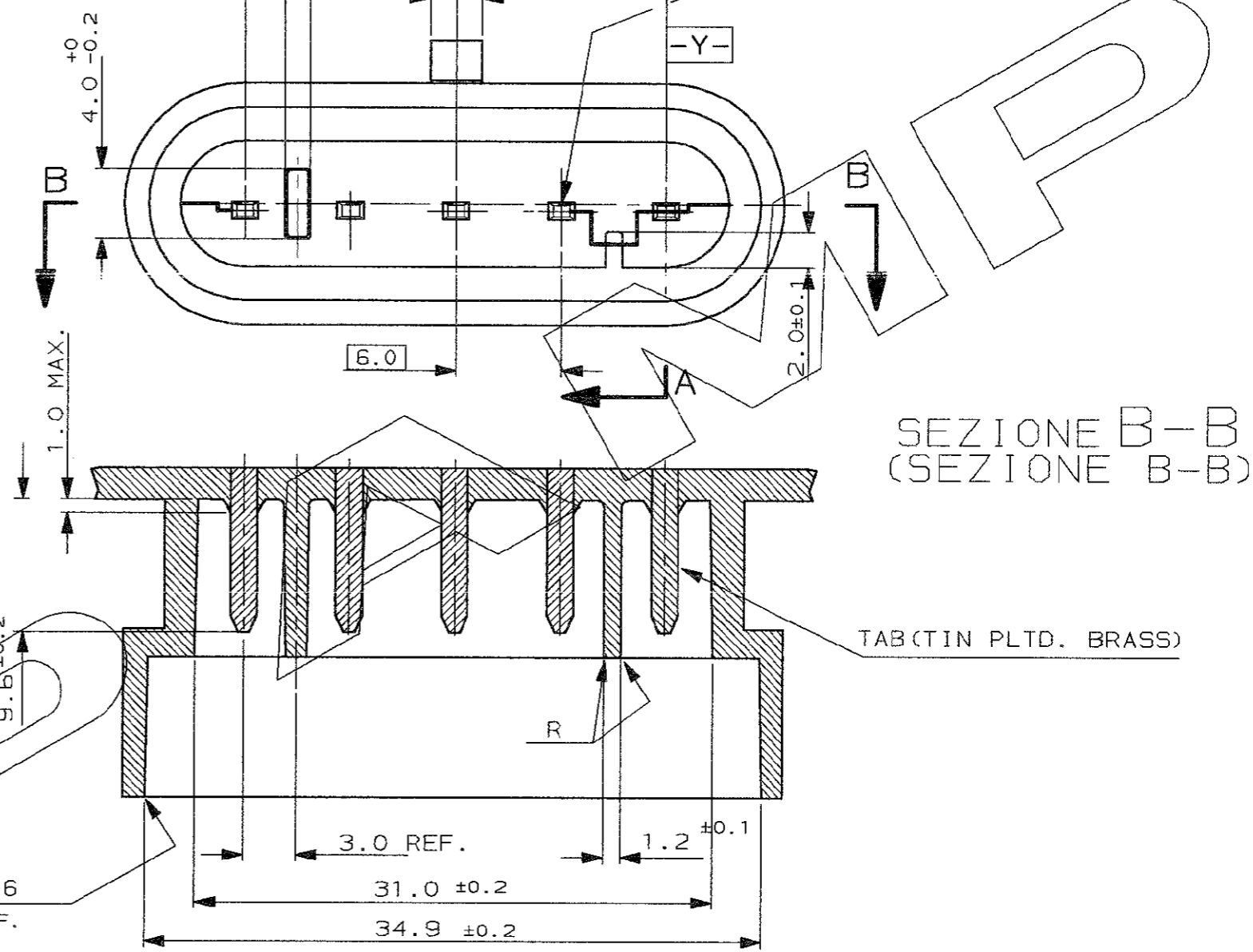
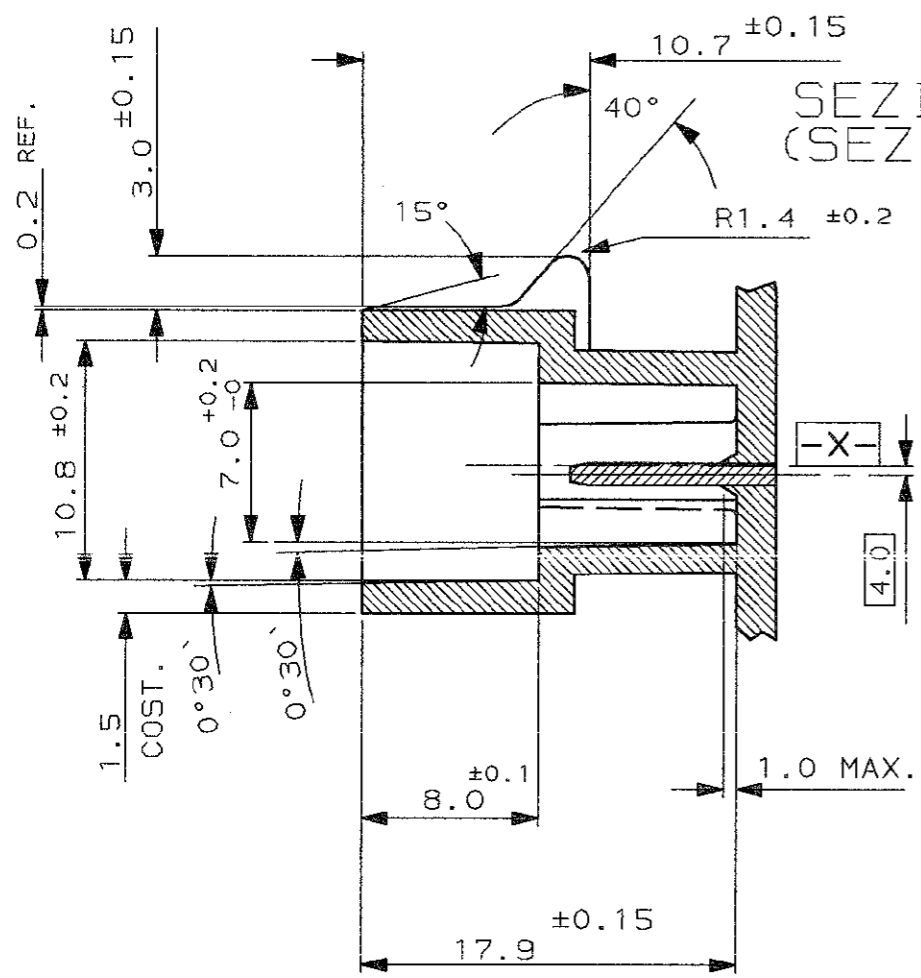
DISTRIBUZIONE (PRINT DIST.)

SCALA NON IMPEGNATIVA
(DO NOT SCALE)
DIMENSIONI IN mm
(DIMENSIONS IN mm)

METRIC

PROIEZIONE EUROPEA
(EUROPEAN PROJECTION)

SEZIONE A-A
(SEZIONE A-A)



FINITURA / COLORE (FINISH / COLOUR)		PA 6.6 CAR. VETRO (PA 6.6 G.F.)	NUMERO (PART NUMBER)	
MATERIALE (MATERIAL)				
CUSTOMER DWG. FOR REFERENCE ONLY		DISEGNO PER CLIENTE SOLO PER RIFERIMENTO		
THIS DRAWING IS UNPUBLISHED		RELEASE FOR PUBLICATION		19
© COPYRIGHT 19 BY AMP INCORPORATED, HARRISBURG, PA. ALL INTERNATIONAL RIGHT RESERVED. AMP PRODUCTS MAY BE COVERED BY U.S. AND FOREIGN PATENT AND/OR PATENT PENDING				
TOLLERANZE: SE NON DIVERSAMENTE SPECIFICATO (TOLERANCES: UNLESS OTHERWISE SPECIFIED)		DIAM. ISOLANTE (INS. DIA. RANGE)	RANGO FILO (WIRE RANGE)	SCALA (SCALE)
± 0.3		-	-	-
ANGOLI (ANGLES)		AMP ITALIA S.p.A. Corso F.lli Cervi, 15 COLLEGNO (TORINO)		
DIS. C. BERTINI (DR.) 5-92		DESCRIZIONE (DESCRIPTION) COUNTERPART FOR		
CONT. -- (CHKD) --		FIVE POS. REC. HSG. ASS'Y		
APP. -- (APP.) --		LOC. SIZE NUMERO (DWG NO)	REV.	FOGLIO (SHEET)
VEDI FOGLIO 1 DI 2 (SEE SHEET 1 OF 2)		I A3 C-282089	C2	2 DI (OF) 2
REV. (REV. LVL.)	REVISIONI (REVISION RECORD)	DIS. (DR)	DATA (DATE)	

DISTRIBUZIONE
(PRINT DIST.)