

THIS DRAWING IS UNPUBLISHED.

RELEASED FOR PUBLICATION

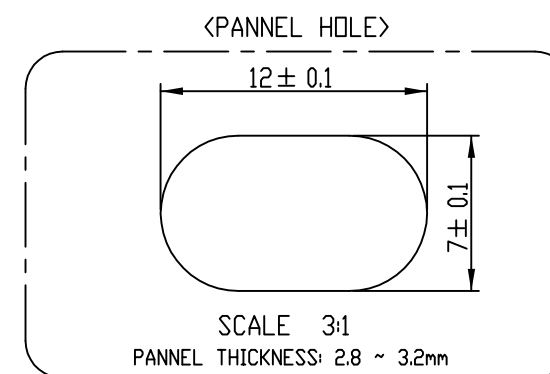
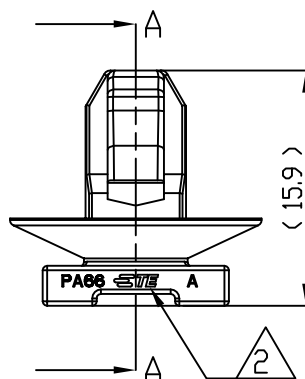
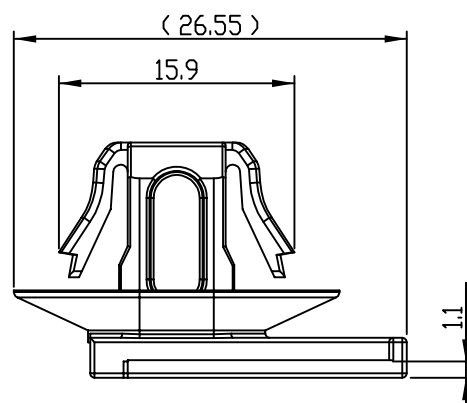
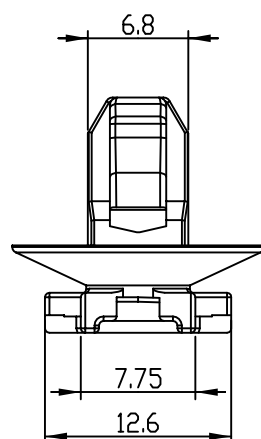
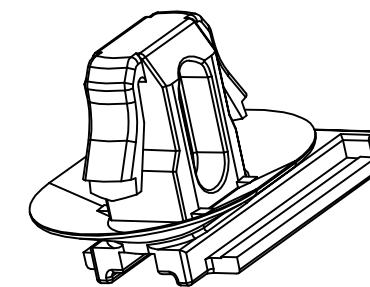
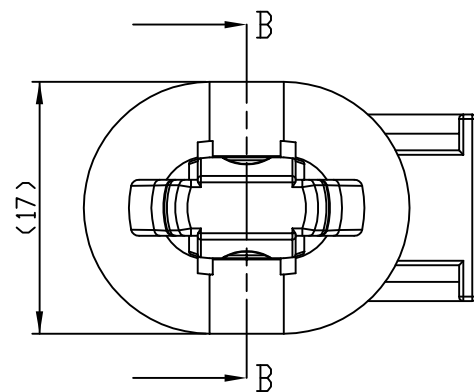
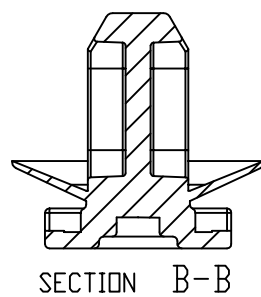
2014

© COPYRIGHT 2014 BY TE CONNECTIVITY

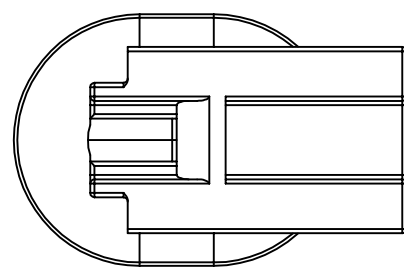
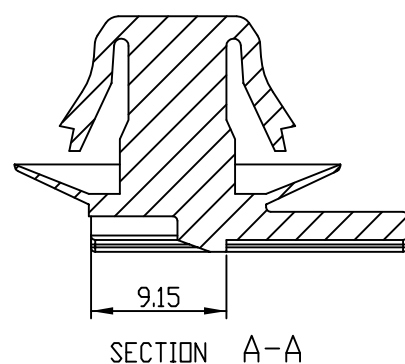
ALL RIGHTS RESERVED.

REVISIONS

P	LTR	DESCRIPTION	DATE	DWN	APVD
	A	RELEASED	01.SEP.'14	JM	HG
	A1	REVISED (ECR-15-010973)	07.SEP.'15	JM	HG



NOTES;  
 1. GENERAL TOLERANCE: ±0.3, ±3°  
 △ TRADE MARK, RECYCLE MARK, CAVITY MARK



1	BLACK	PA66	CLIP HSG	2219194-2
NO.	COLOR	MATERIAL	DESCRIPTION	P/N

THIS DRAWING IS A CONTROLLED DOCUMENT.		DWN JM JEON																
DIMENSIONS: MM		CHK JW JUNG																
TOLERANCES UNLESS OTHERWISE SPECIFIED:		APVD HG CHO	NAME CLIP FOR EJ MKII PLUG ASS'Y															
<table border="1"> <tr><td>0 PLC</td><td>±</td></tr> <tr><td>1 PLC</td><td>±</td></tr> <tr><td>2 PLC</td><td>±</td></tr> <tr><td>3 PLC</td><td>±</td></tr> <tr><td>4 PLC</td><td>±</td></tr> <tr><td>ANGLES</td><td>±</td></tr> </table>		0 PLC	±	1 PLC	±	2 PLC	±	3 PLC	±	4 PLC	±	ANGLES	±	PRODUCT SPEC -	SIZE A3	CAGE CODE -	DRAWING NO C=2219194	RESTRICTED TO -
0 PLC	±																	
1 PLC	±																	
2 PLC	±																	
3 PLC	±																	
4 PLC	±																	
ANGLES	±																	
MATERIAL SEE TABLE		FINISH -	WEIGHT -	SCALE 2:1	SHEET 1 OF 1	REV A1												
CUSTOMER DRAWING																		