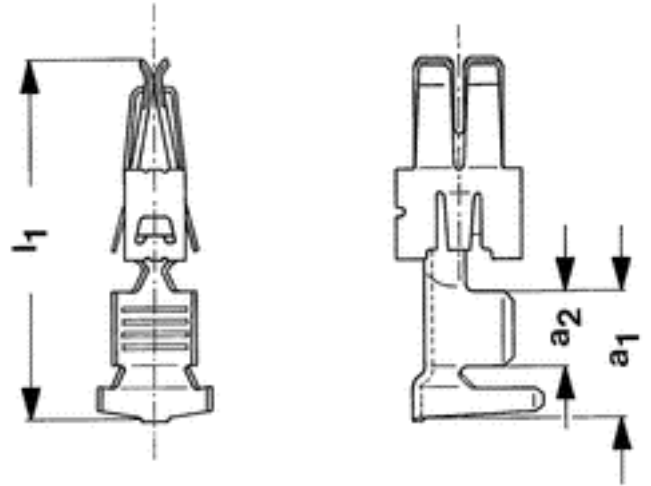




Characteristics and dimensions of terminals

Part number	26648.330.186
Specification	AFK
Material	CuFeP
Surface / Colour	frSn 1
Form	Chain form
Transport	Normal transverse transport
Assembly	X
Packing unit / piece	2300
Section area (mm ²)	1.50-2.50
Type of lead	FLR
Insulation diameter (mm)	1.9 - 2.9
Tab thickness (mm)	0.80
Tab width (mm)	4.80
Nominal size	4.8x0.8-2.5
Material thickness (mm)	0.40
Steel spring	X
a ₁	6.30
a ₂	3.50
l ₁	19.50



Note: The drawing only gives an overview of the geometry of the part. The crimp area is shown as supplied in strip form. A technical drawing is available on request.

[Contents of your inquiry](#)

Packing Units (per 2300 pieces)

CW