

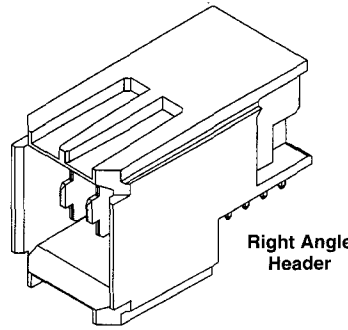
Universal Power Module — Right Angle Header

Material and Finish

Housing — Valox, natural color, UL94 V-0 Rated

Contacts — Phosphor bronze, plated 0.00127 [.000050] min. gold in mating area, 0.00050 [.000020] min. tin-lead on ACTION PIN Contact post area, with entire contact underplated 0.00127 [.000050] min. nickel

Note: Contact lubrication with Bellcore approved lubricant



Related Product Data

Guiding Hardware (Optional) — page 54.

Application Tooling

Header

Seating Tool, 224441-1
Board Support Fixture, 224442-1.

Receptacle

Seating Tool, 224421-1
Board Support Fixture, 217602-1.

Technical Documents

Product Specification

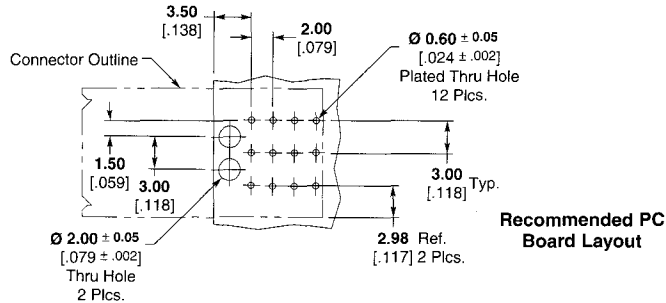
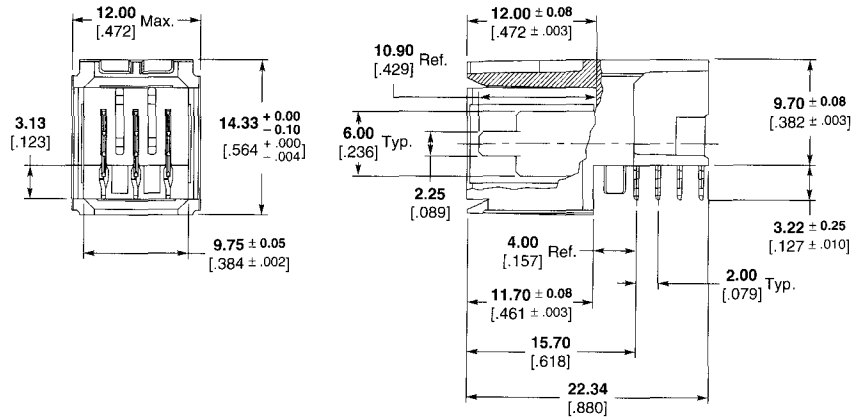
108-1651

Application Specification

114-1103

Instruction Sheet

408-4169 (Receptacle)
Seating Tool 224421-1)



Part Number	Position A	Position B	Position C
120912-1	7.68 [.302]	9.30 [.366]	10.90 [.429]
120914-1	9.30 [.366]	—	7.68 [.302]
223938-1	7.68 [.302]	10.90 [.429]	10.90 [.429]
223961-1	10.90 [.429]	10.90 [.429]	10.90 [.429]
223962-1	10.90 [.429]	9.30 [.366]	10.90 [.429]
223963-1	9.30 [.429]	10.90 [.429]	9.30 [.366]
223964-1	9.30 [.366]	10.90 [.429]	7.68 [.302]
223965-1	9.30 [.366]	7.68 [.302]	9.30 [.366]
223967-1	9.30 [.366]	9.30 [.366]	9.30 [.366]
223968-1	10.90 [.429]	9.30 [.366]	9.30 [.366]
223970-1	10.90 [.429]	7.68 [.302]	7.68 [.302]
223971-1	10.90 [.429]	7.68 [.302]	9.30 [.366]
223972-1	10.90 [.429]	7.68 [.302]	10.90 [.429]
223974-1	7.68 [.302]	7.68 [.302]	7.68 [.302]
223975-1	9.30 [.366]	—	9.30 [.366]
223980-1	7.68 [.302]	7.68 [.302]	9.30 [.366]
223981-1	9.30 [.366]	9.30 [.366]	7.68 [.302]
223983-1	7.68 [.302]	9.30 [.366]	7.68 [.302]
223989-1	9.30 [.366]	9.30 [.366]	10.90 [.429]
223990-1	9.30 [.366]	7.68 [.302]	8.28 [.326]
223991-1	7.68 [.302]	10.90 [.429]	7.68 [.302]