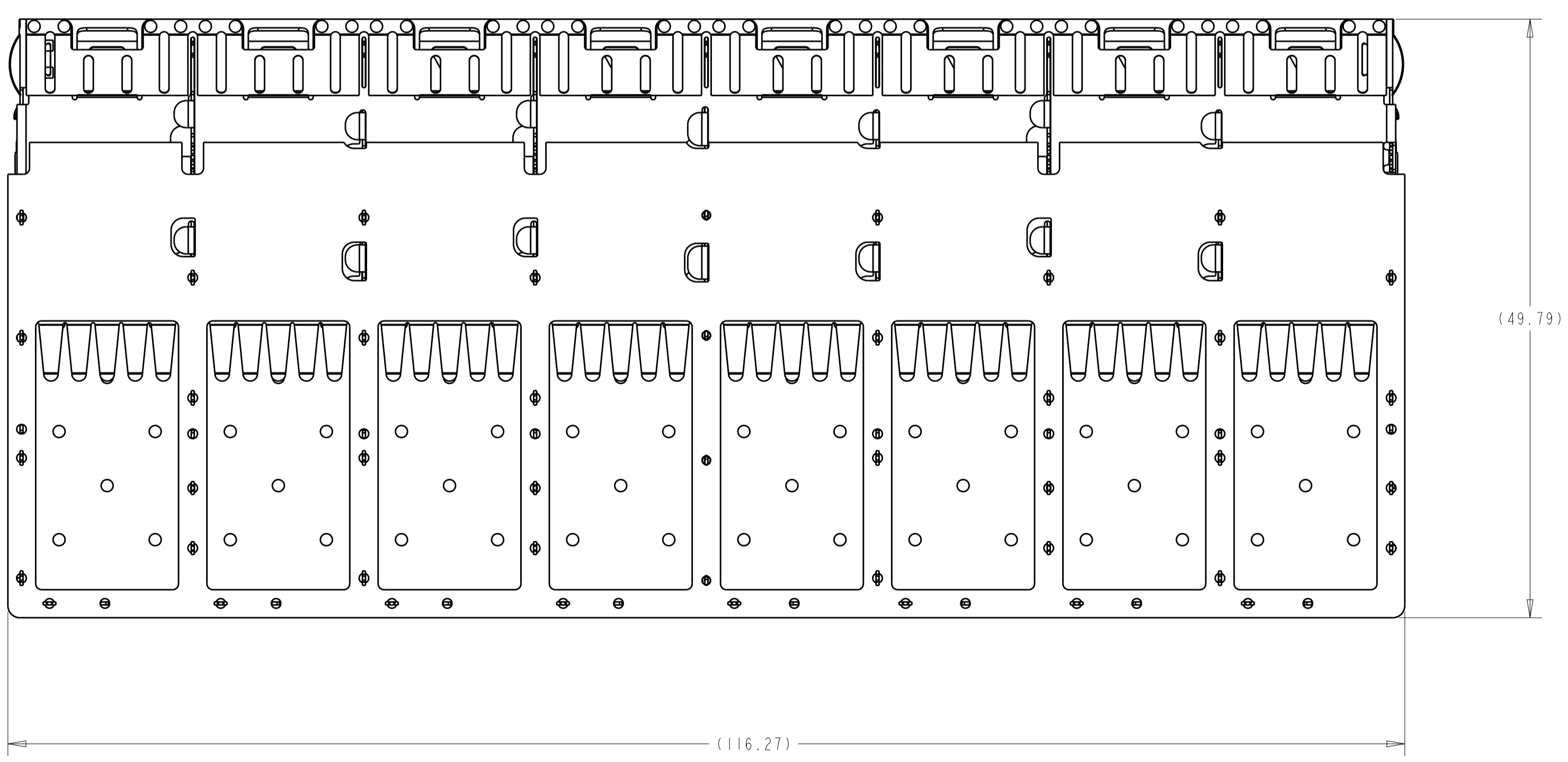
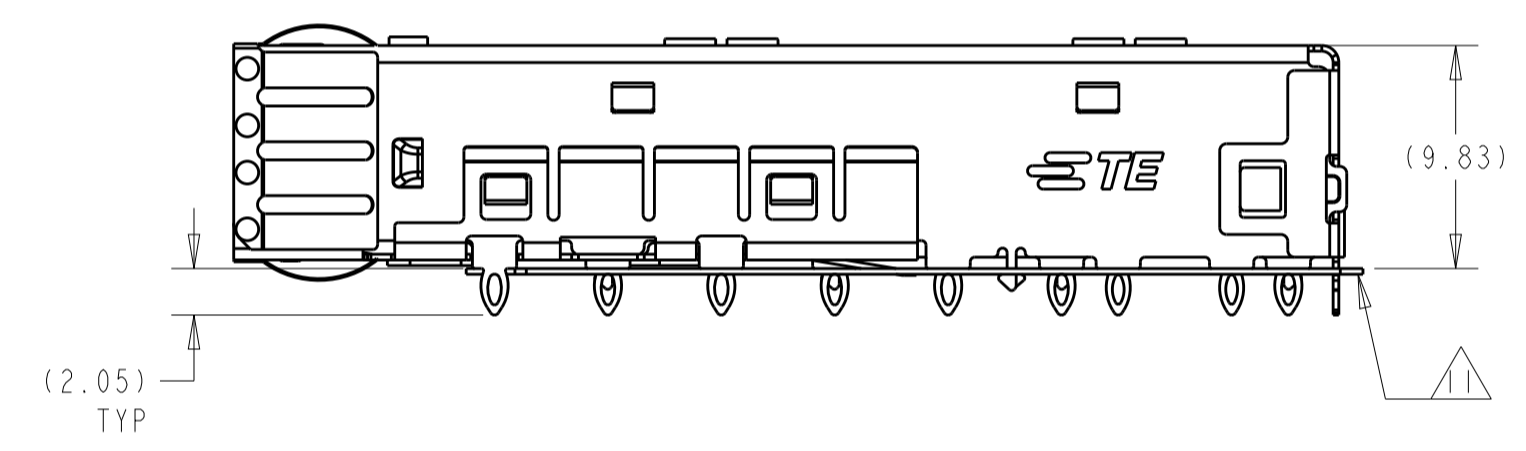
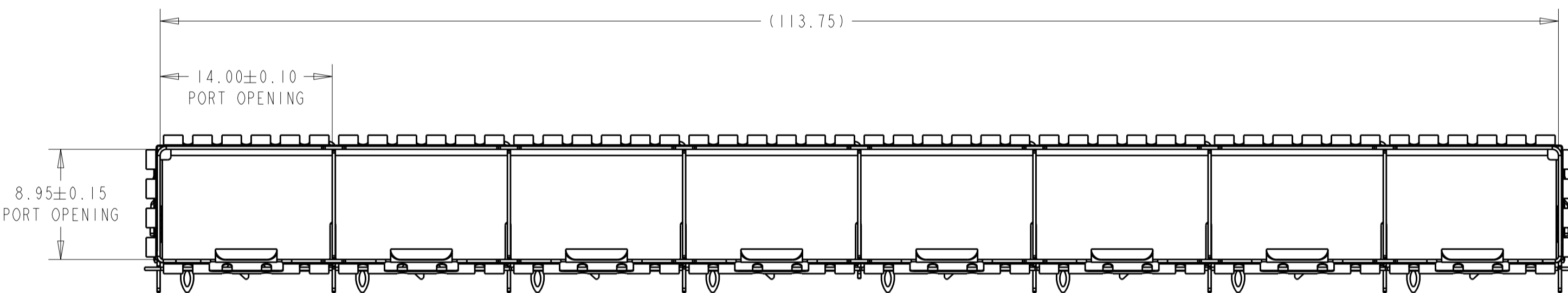
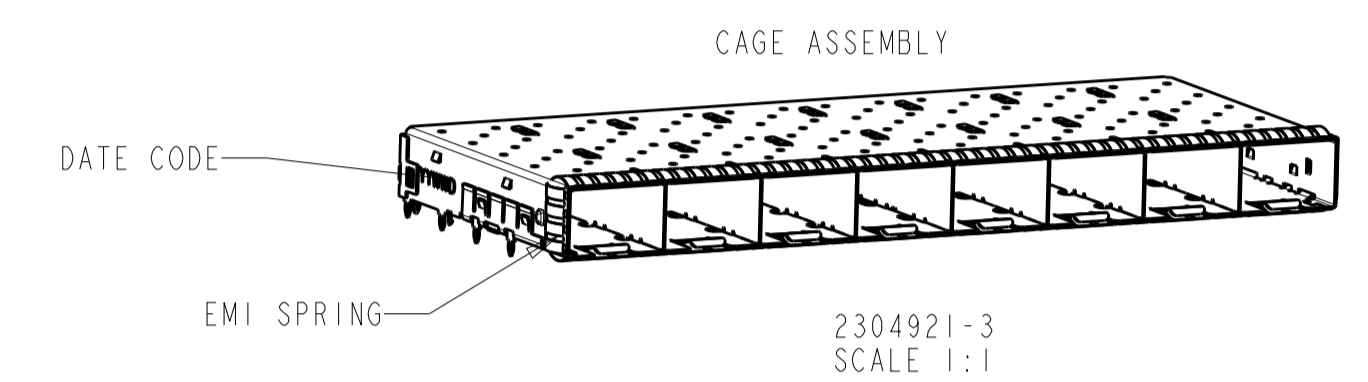
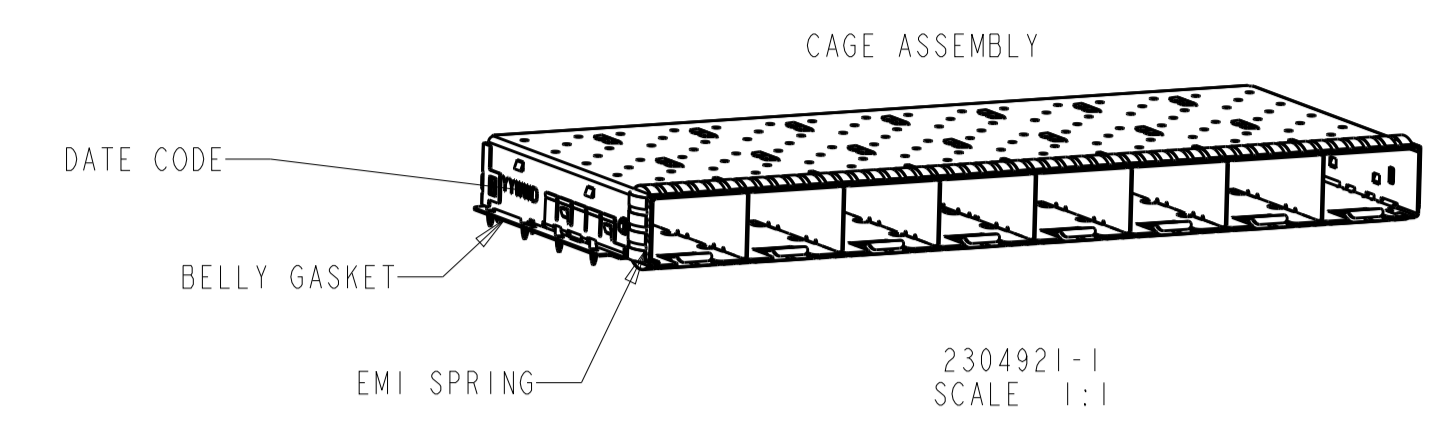
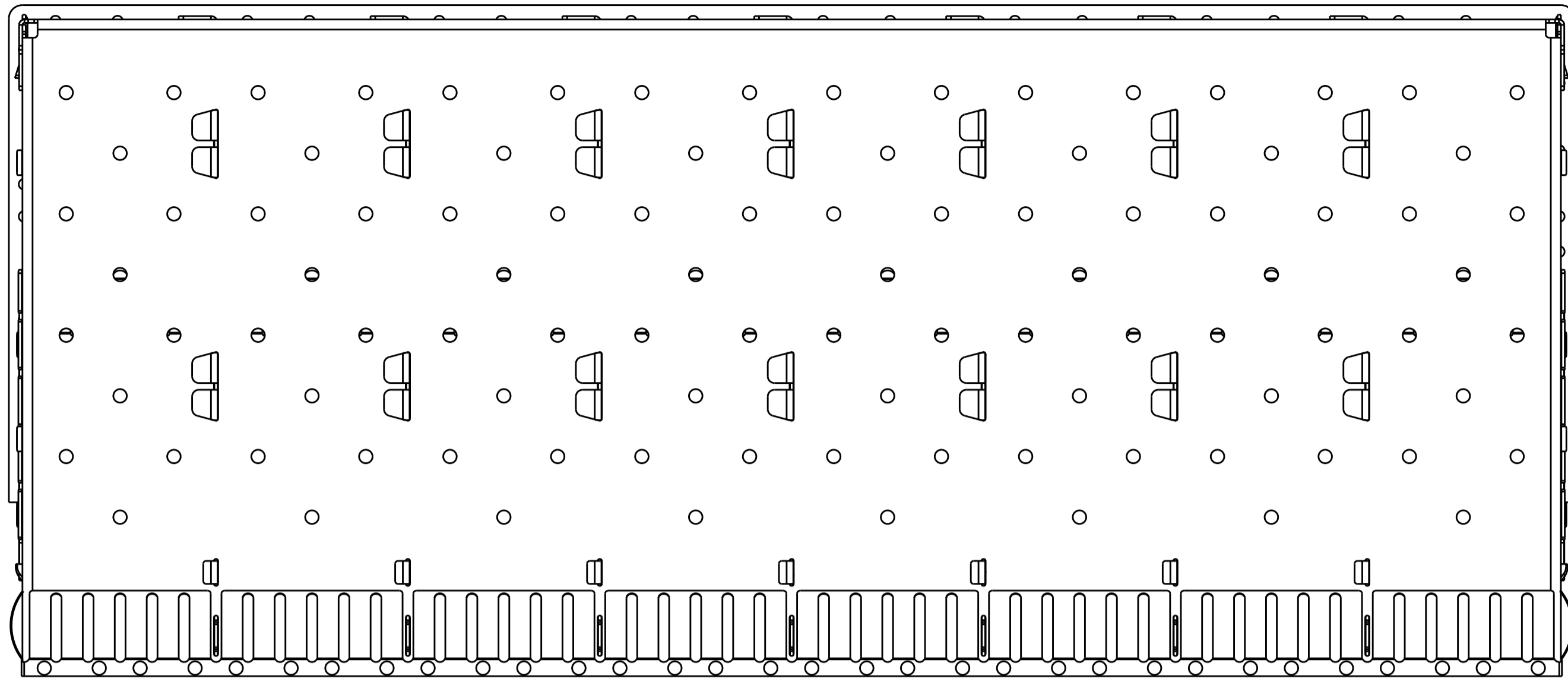


LOC	DIST	REVISIONS			
P	LTN	DESCRIPTION	DATE	DWN	APVD
GP	00	A1	REVISED PER ECR-17-017733	05DEC2017	IT SH

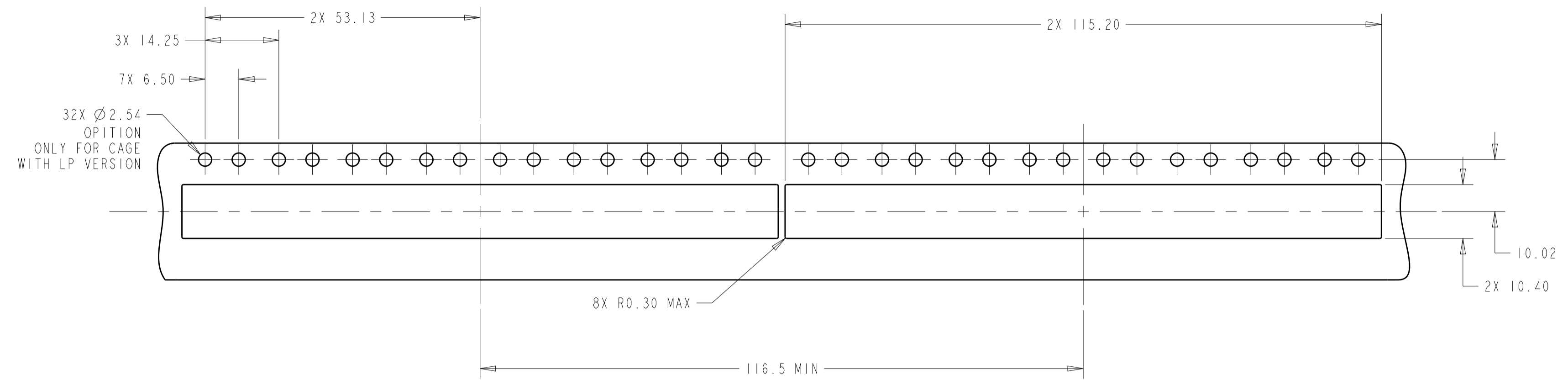


- 1 MATERIAL:  
CAGE ASSEMBLY: NICKEL SILVER ALLOY, (0.25mm)  
PCB GASKET: RF ABSORBER  
EMI SPRINGS: PHOSPHOR BRONZE  
LIGHT PIPE BRACKET: STAINLESS STEEL  
LIGHT PIPE: POLYCARBONATE, CLEAR
- 2 MINIMUM PCB BOARD THICKNESS:  
SINGLE SIDE = 1.45mm  
BELLY TO BELLY = 2.25mm
- 3 PADS AND VIAS CHASSIS GROUND
- 4 DATUM AND BASIC DIMENSION ESTABLISHED BY CUSTOMER
- 5. MATES WITH SFP MSA COMPLIANT TRANSCEIVERS
- 6. INTERPRETATION OF DATUM REFERENCE FRAME IN ACCORDANCE WITH SECT 4.4.1.1 OF ASME Y14.5M-1994
- 7 REFERENCE APPLICATION SPEC. 114-13120, HOLE A, FOR RECOMMENDED DRILL HOLE DIAMETER AND PLATING THICKNESS
- 8 REFERENCE APPLICATION SPEC. 114-13120, HOLE B, FOR RECOMMENDED DRILL HOLE DIAMETER AND PLATING THICKNESS
- 9 HOLE PATTERN REPEATS FOR EACH PORT, SPACING BETWEEN PORTS IS 14.25mm
- 10. PRODUCT COMPLIES WITH SPECIFICATION SFF-8433, IMPROVED PLUGGABLE FORM FACTOR FOR SFP+ GANGED CAGES
- 11 CONTACT STANDOFF WILL PIERCE GASKET WHEN PROPERLY PRESSED INTO PCB.
- 12 WITHOUT BELLY GASKET

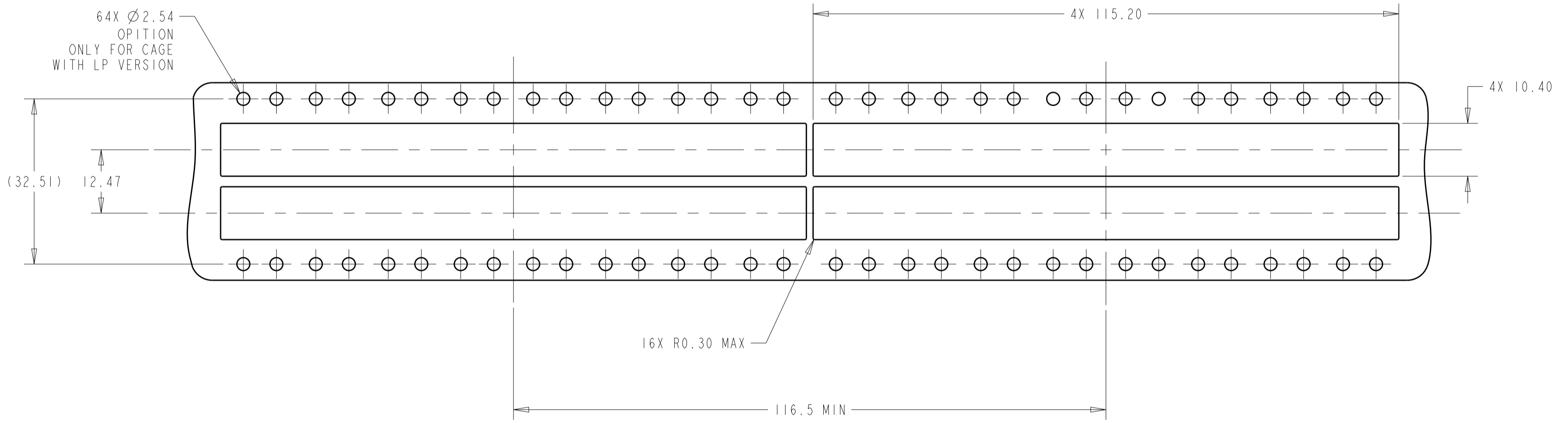
2304921-3
2304921-1
PART NUMBER

THIS DRAWING IS A CONTROLLED DOCUMENT. DIMENSIONING AND TOLERANCING PER ASME Y14.5M-2009.		DWN: J. WANG 07JUN2016	 TE Connectivity
DIMENSIONS: mm		CHK: S. HAN 07JUN2016	
TOLERANCES UNLESS OTHERWISE SPECIFIED:		APVD: S. HAN 07JUN2016	NAME: CAGE ASSEMBLY, PRESS-FIT, EMI SPRINGS, 1X8, zSFP+
0 PLC ±0.25	1 PLC ±0.25	PRODUCT SPEC	SIZE: CAGE CODE DRAWING NO
2 PLC ±0.25	3 PLC ±0.25	APPLICATION SPEC	RESTRICTED TO
4 PLC ±0.25	ANGLES ±°	FINISH ±"	SCALE: 3:1 SHEET 1 OF 4 REV A1
MATERIAL: SEE NOTES	FINISH: SEE NOTES	WEIGHT: -	CUSTOMER DRAWING

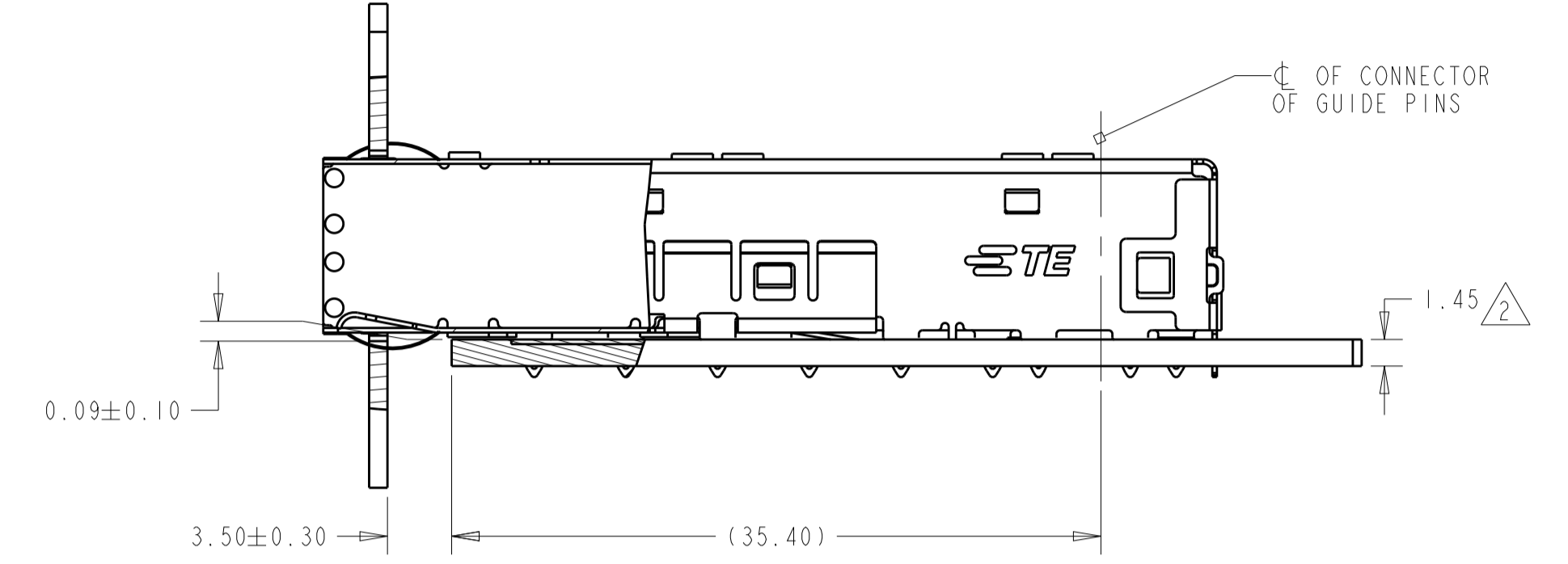
LOC	DIST	REVISIONS			
GP	00	REV	DATE	BY	APPV
-	-	SEE SHEET 1	-	-	-



RECOMMENDED BEZEL OPENING  
 SINGLE SIDED APPLICATIONS  
 SCALE 3:2

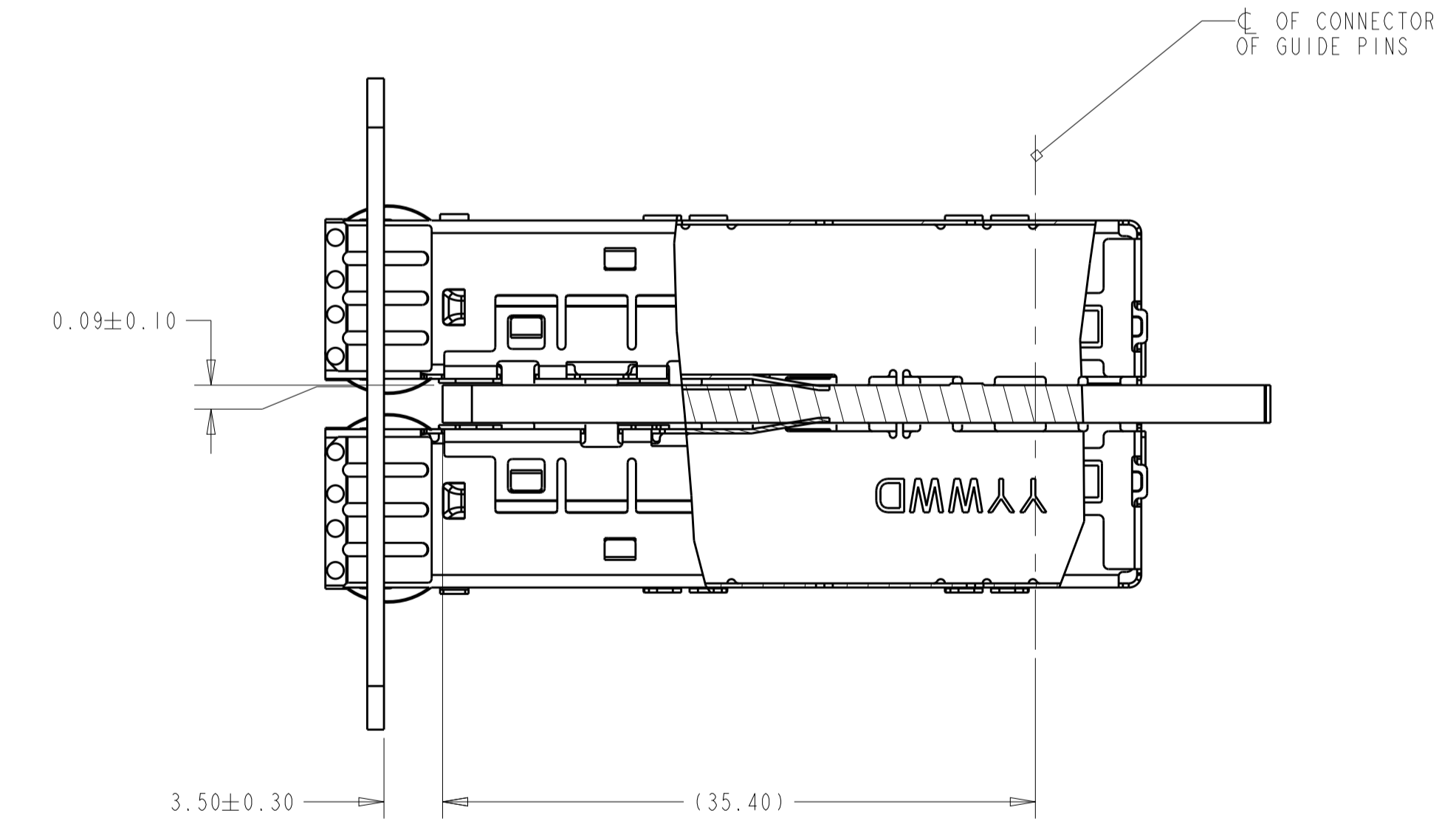


RECOMMENDED BEZEL OPENING  
 BELLY TO BELLY APPLICATION  
 SCALE 3:2



SECTION A - A

MOUNTED ON PC BOARD  
 SHOWN THRU RECOMMENDED BEZEL  
 SCALE 4:1



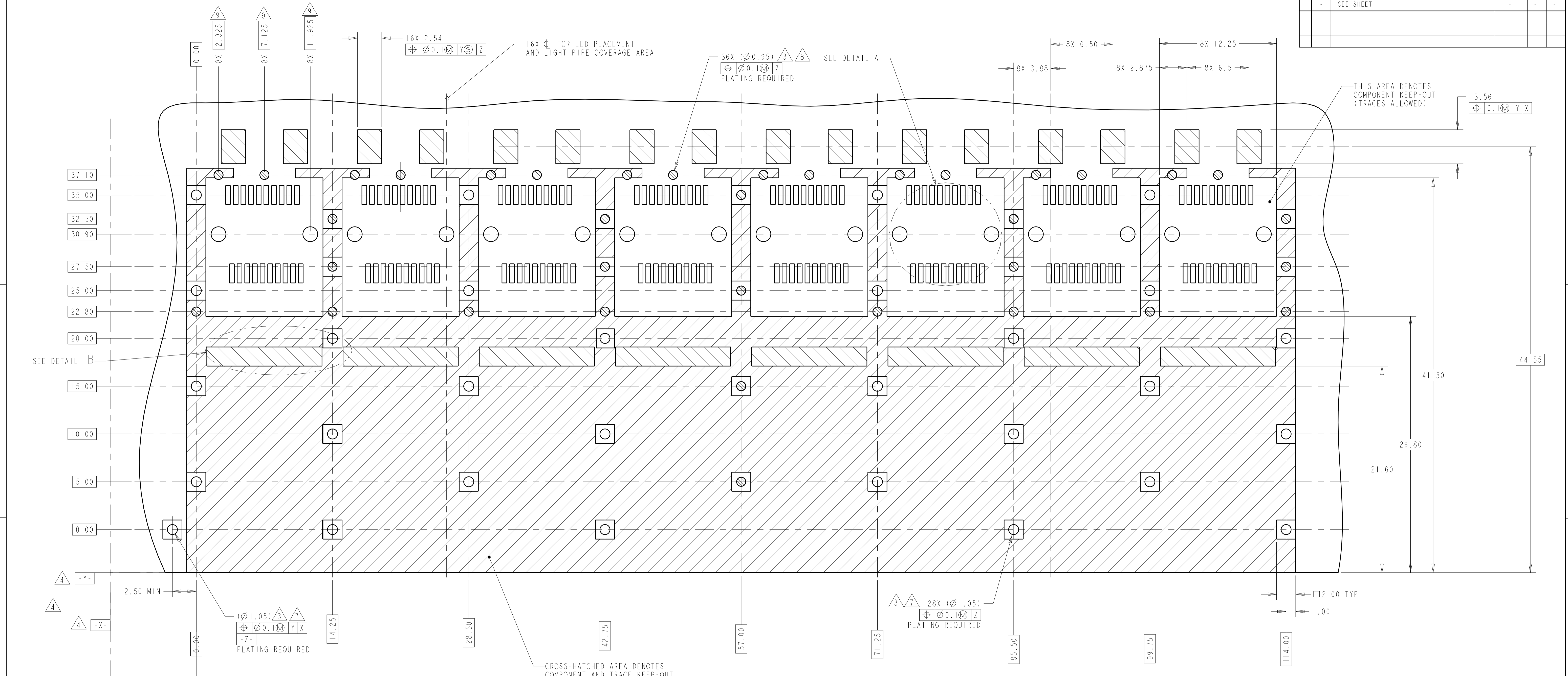
SECTION A - A

THIS DRAWING IS A CONTROLLED DOCUMENT. DIMENSIONING AND TOLERANCING PER ASME Y14.5M-2009		DWN J. WANG 07JUN2016 CHK S. HAN 07JUN2016 APVD S. HAN 07JUN2016	TE Connectivity	
DIMENSIONS: mm	TOLERANCES UNLESS OTHERWISE SPECIFIED:	NAME	CAGE ASSEMBLY, PRESS-FIT, EMI SPRINGS, 1X8, zSFP+	
0 PLC ±0.25 1 PLC ±0.25 2 PLC ±0.25 3 PLC ±0.25 4 PLC ±0.25 ANGLES ±1°	FINISH SEE NOTES	PRODUCT SPEC	APPLICATION SPEC	RESTRICTED TO
MATERIAL SEE NOTES	SEE NOTES	SIZE	CAGE CODE	DRAWING NO
		A1	00779	©=2304921
		CUSTOMER DRAWING	SCALE	1:1 SHEET 2 OF 4 REV A1

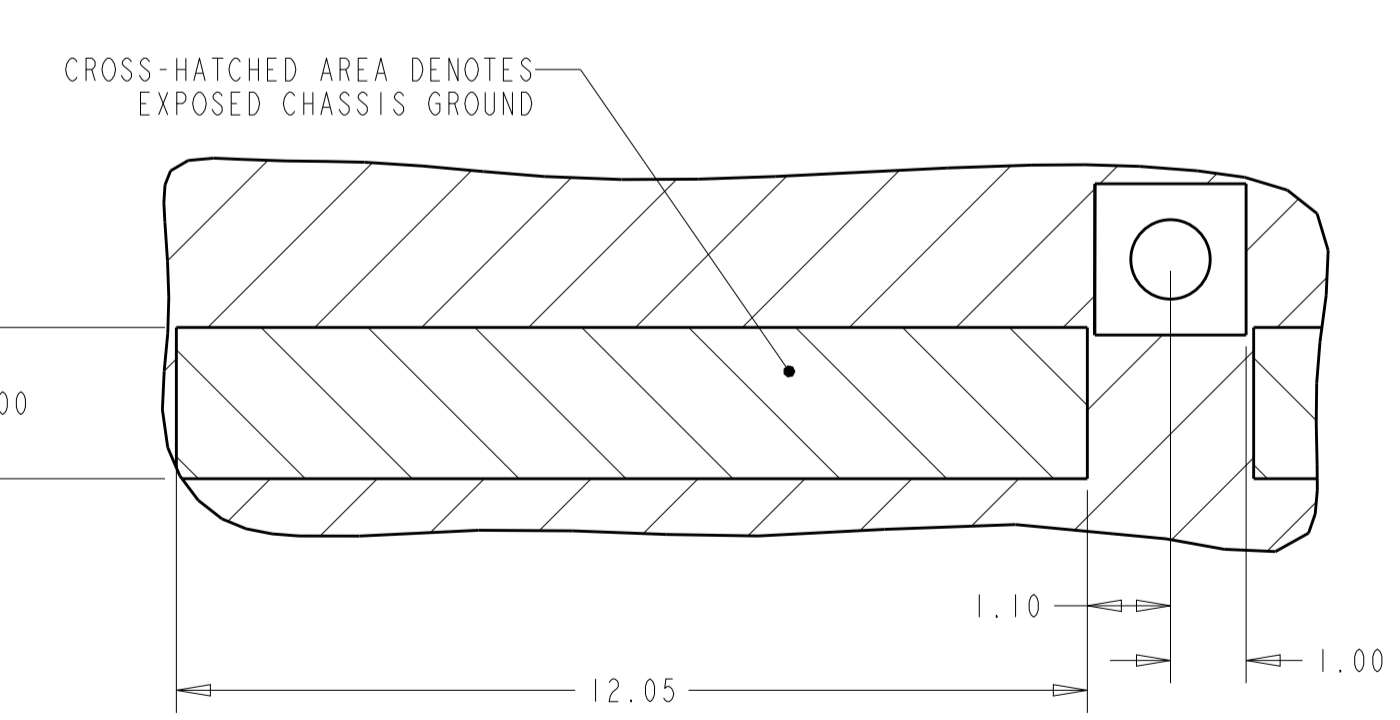
LOC	DIST	REV	DATE	BY	APPD
GP	00				

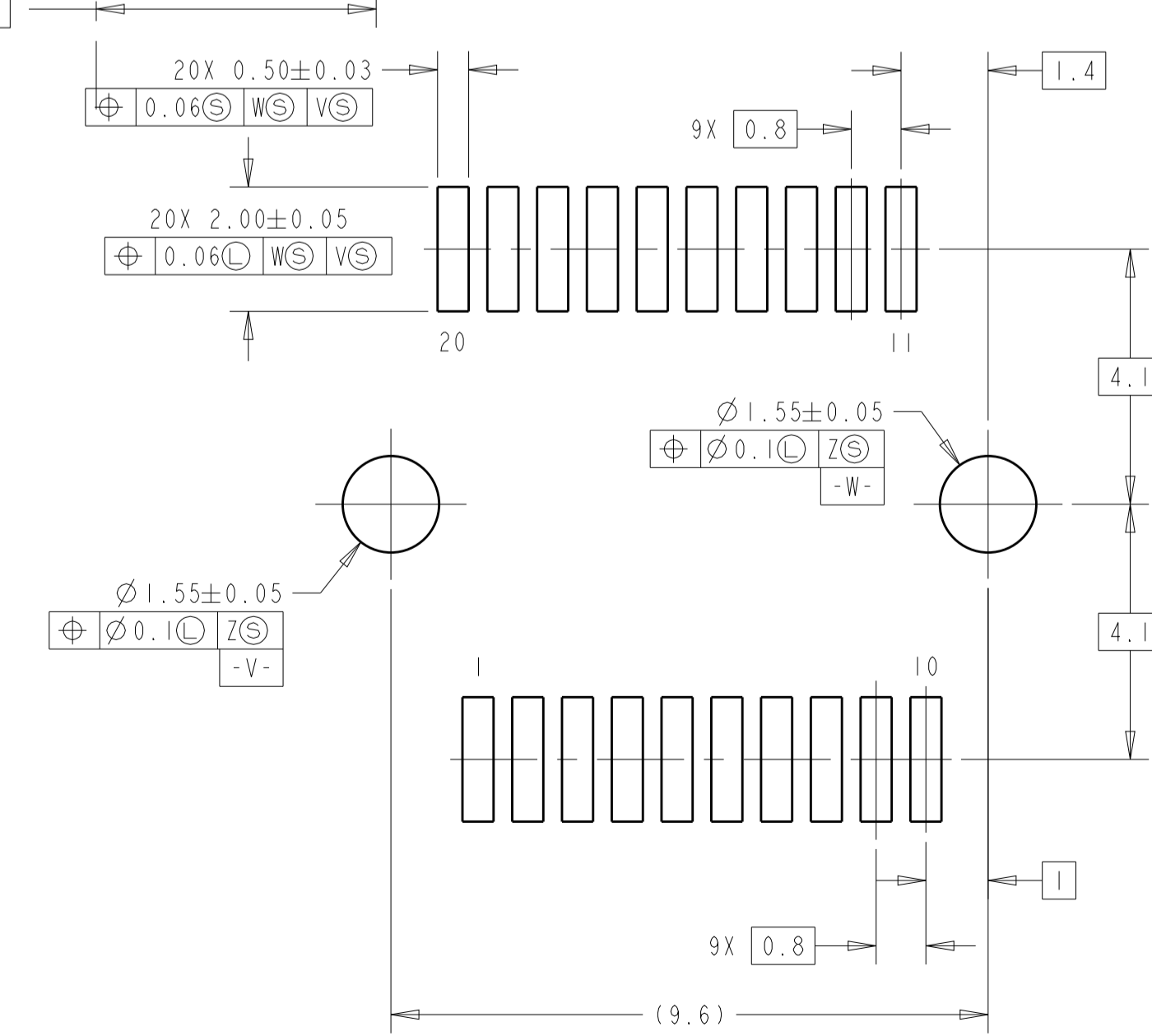
REVISIONS			
NO.	DESCRIPTION	DATE	BY
1	SEE SHEET 1		



RECOMMENDED PCB CONFIGURATION  
 WITH KEEP-OUT AREAS FOR SINGLE SIDED APPLICATION  
 SCALE 5:1



DETAIL B  
 6X INDIVIDUALLY  
 SCALE 10:1



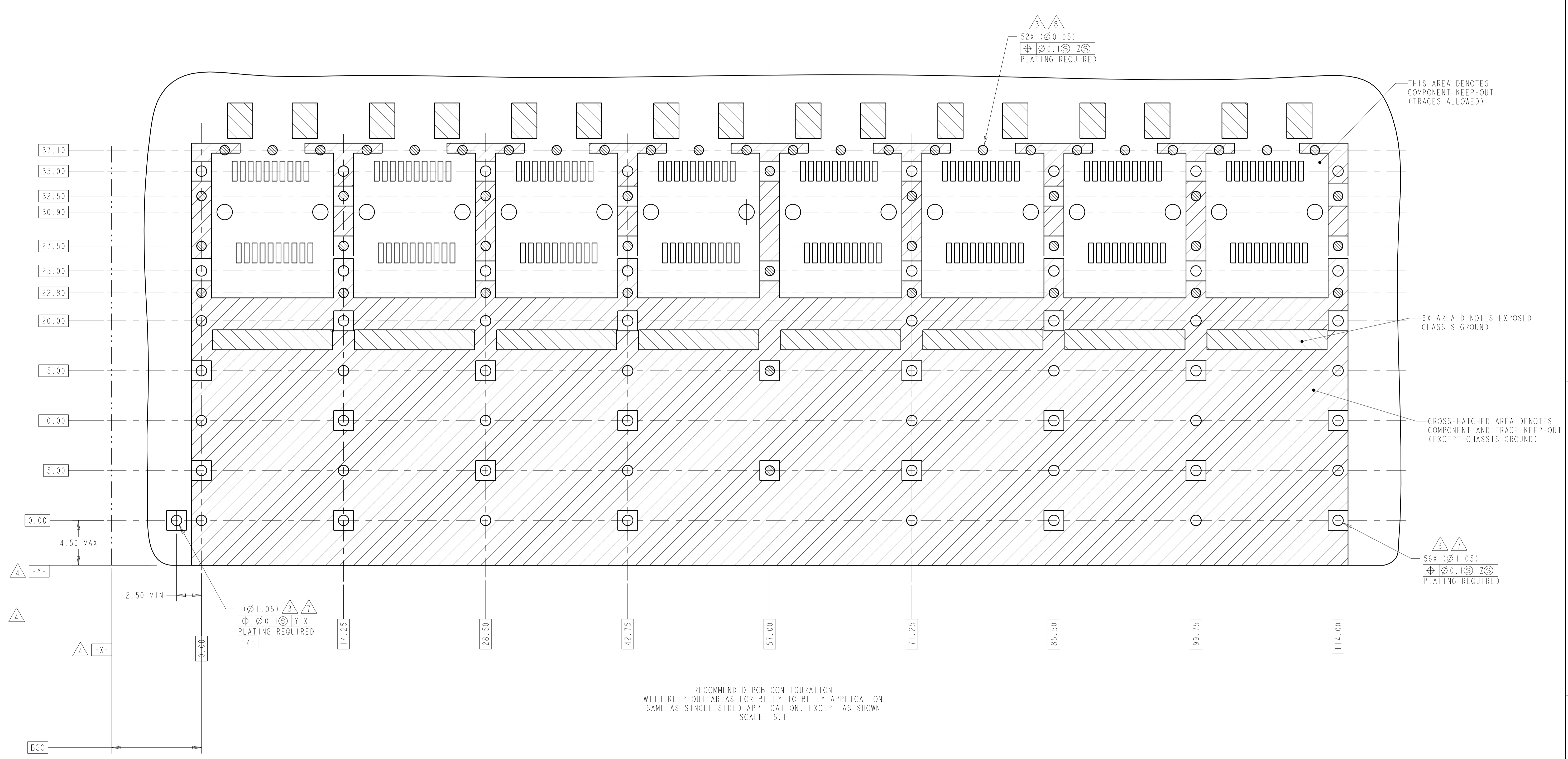
DETAIL SEE DETAIL A  
 6X INDIVIDUALLY  
 SCALE 10:1

THIS DRAWING IS A CONTROLLED DOCUMENT. DIMENSIONING AND TOLERANCING PER ASME Y14.5M-2009		DWN: J. WANG 07JUN2016 CHK: S. HAN 07JUN2016 APVD: S. HAN 07JUN2016	TE Connectivity
DIMENSIONS: mm TOLERANCES UNLESS OTHERWISE SPECIFIED: 0 PLC ±0.25 1 PLC ±0.25 2 PLC ±0.25 3 PLC ±0.25 4 PLC ±0.25 ANGLES ±°	PRODUCT SPEC APPLICATION SPEC	NAME: CAGE ASSEMBLY, PRESS-FIT, EMI SPRINGS, 1X8, zSFP+ SIZE: A1 CAGE CODE: 00779 DRAWING NO: 2304921	
MATERIAL: SEE NOTES	FINISH: SEE NOTES	WEIGHT: -	RESTRICTED TO: - CUSTOMER DRAWING SCALE: 1:1 SHEET 3 OF 4 REV A1

LOC	DIST	REV	DATE	BY	APPV
GP	00				

REVISIONS					
NO.	DESCRIPTION	DATE	BY	APPV	
-	SEE SHEET 1	-	-	-	-



THIS DRAWING IS A CONTROLLED DOCUMENT. DIMENSIONING AND TOLERANCING PER ASME Y14.5M-2009		DWN J. WANG 07JUN2016 CHK S. HAN 07JUN2016 APVD S. HAN 07JUN2016	TE Connectivity
DIMENSIONS: mm 	TOLERANCES UNLESS OTHERWISE SPECIFIED: 0 PLC ±0.25 1 PLC ±0.25 2 PLC ±0.25 3 PLC ±0.25 4 PLC ±0.25 ANGLES ±°	NAME CAGE ASSEMBLY, PRESS-FIT, EMI SPRINGS, 1X8, zSFP+ SIZE CAGE CODE DRAWING NO. RESTRICTED TO A1 00779 C=2304921	
MATERIAL SEE NOTES	FINISH SEE NOTES	WEIGHT	CUSTOMER DRAWING SCALE 1:1 SHEET 4 OF 4 REV A1