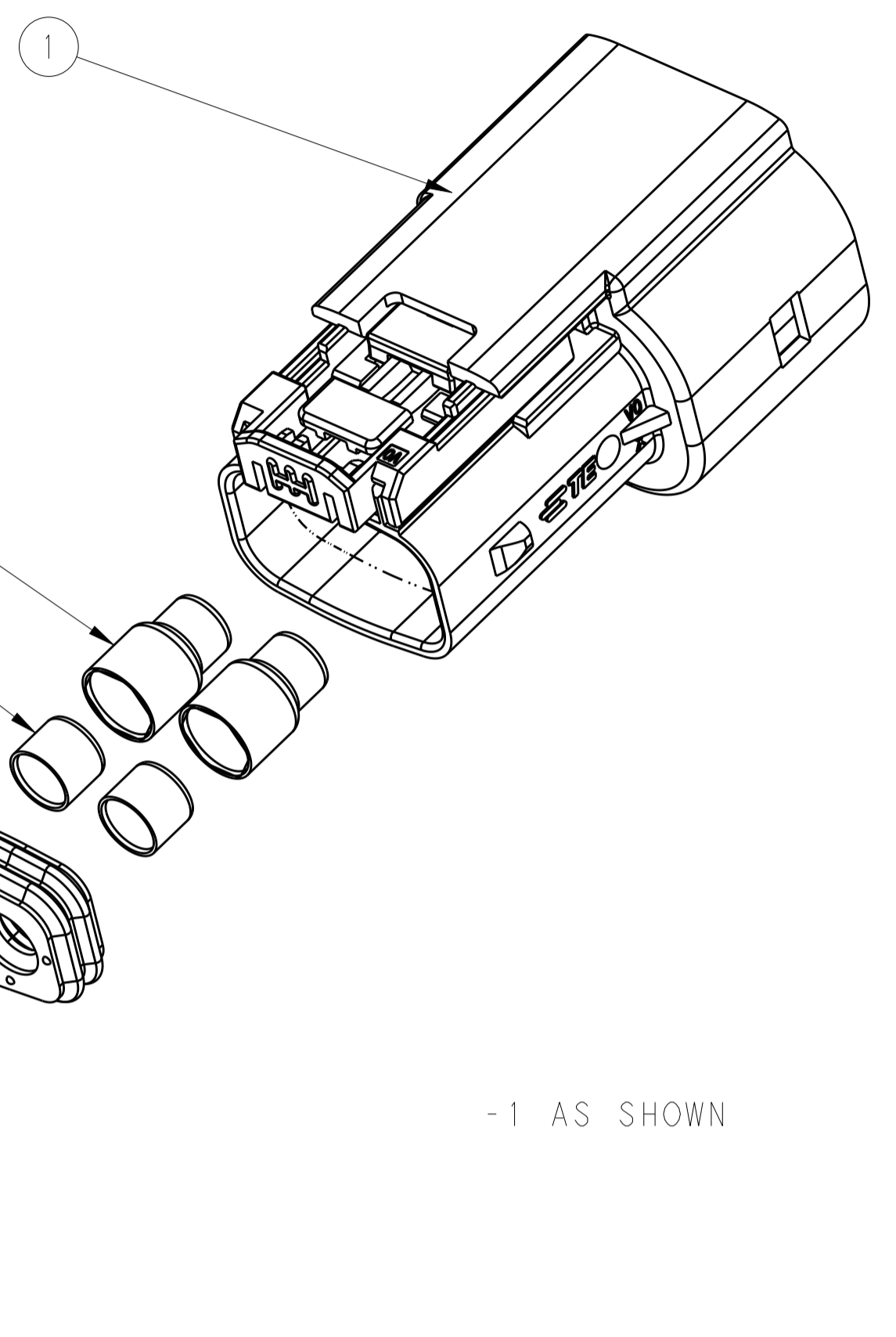
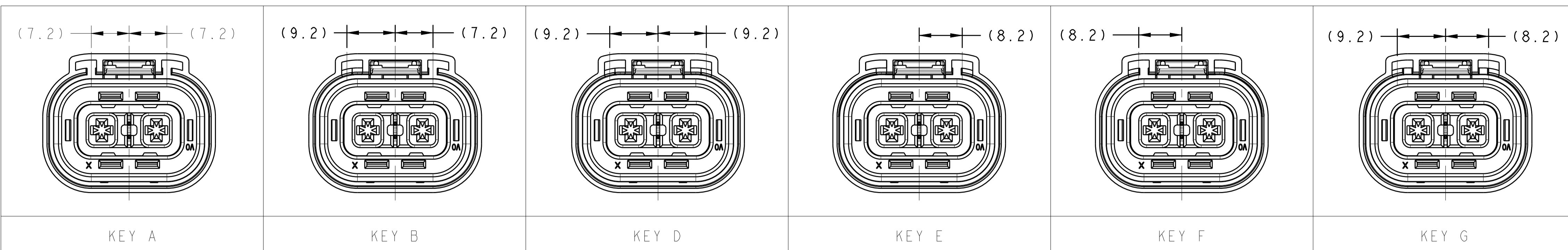
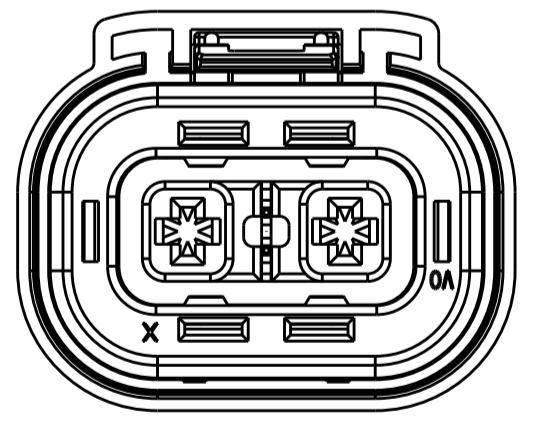
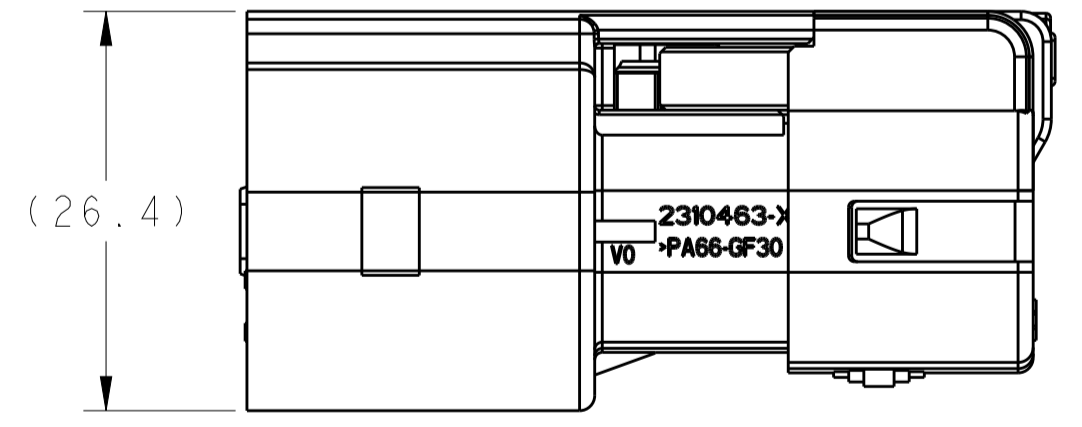
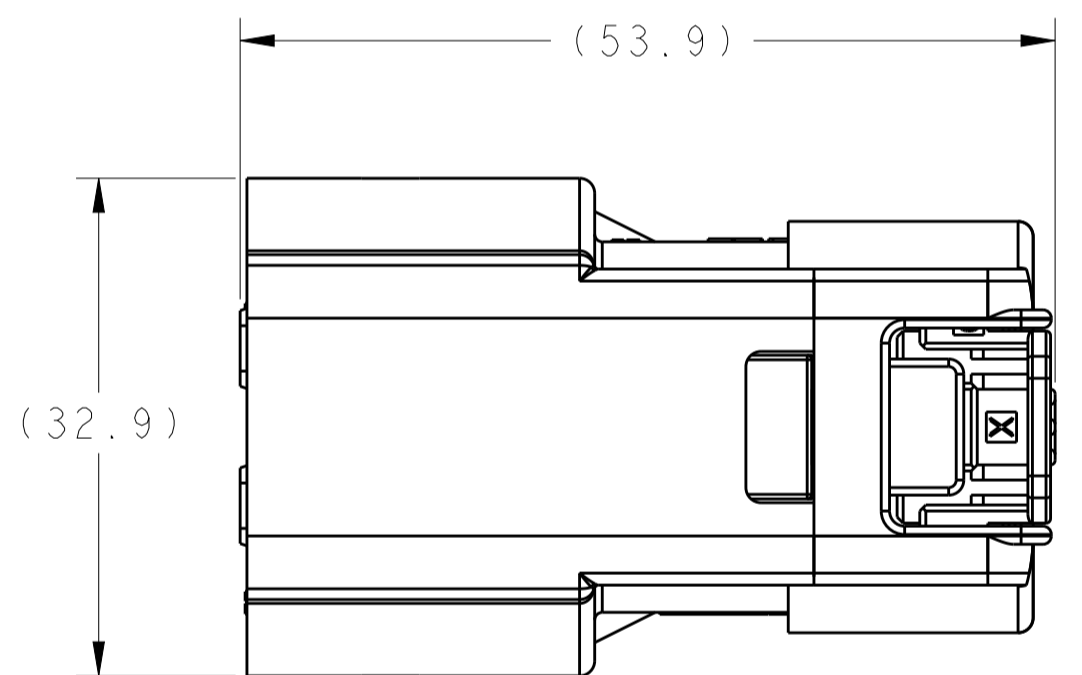


REVISIONS				
P.	LTN	DESCRIPTION	DATE	OWN APVD
A		RELEASED	30DEC16	R. Z I. Y
B		REVISED ECO 18-000862	31JAN18	F. S E. J



- NOTES:
- ITEMS FROM 1 TO 5 IN ASSEMBLY STATUS AS SHOWN ONLY FOR REFERENCE
  - FINAL TEST: VISUAL INSPECTION FOR COMPLETENESS
  - COMPONENTS PACKAGE INDIVIDUALLY, ALL PACKAGES TOGETHER IN THE CARTON BOX
  - CONSULT INDIVIDUAL CUSTOMER DRAWINGS FOR DETAIL INFORMATION.



CABLE SIZE	QUANTITY REQUIRED						P/N	DESCRIPTION	ITEM
	G	F	E	D	B	A			
4MM2 INDIVIDUALLY SHIELDED	1	1	1	1	1	1	2310469-2	CABLE SEAL RETAINER, HVA280-2PHI XE,V0	5
	1	1	1	1	1	1	1587826-3	CABLE SEAL, HVA280-2PHI	4
	2	2	2	2	2	2	1587828-3	INNER FERRULE, HVA280	3
	2	2	2	2	2	2	1587829-3	OUTER FERRULE, HVA280	2
	1	-	-	-	-	-	2310537-7	PLUG ASSY, KEY G, HVA280-2PHI XE,V0, FINGER ACCESS WITH CPA	1
	-	1	-	-	-	-	2310537-6	PLUG ASSY, KEY F, HVA280-2PHI XE,V0, FINGER ACCESS WITH CPA	
	-	-	1	-	-	-	2310537-5	PLUG ASSY, KEY E, HVA280-2PHI XE,V0, FINGER ACCESS WITH CPA	
	-	-	-	1	-	-	2310537-4	PLUG ASSY, KEY D, HVA280-2PHI XE,V0, FINGER ACCESS WITH CPA	
	-	-	-	-	1	-	2310537-2	PLUG ASSY, KEY B, HVA280-2PHI XE,V0, FINGER ACCESS WITH CPA	
-	-	-	-	-	1	2310537-1	PLUG ASSY, KEY A, HVA280-2PHI XE,V0, FINGER ACCESS WITH CPA		

CABLE SIZE	QUANTITY REQUIRED						P/N	DESCRIPTION	ITEM
	G	F	E	D	B	A			
3MM2 INDIVIDUALLY SHIELDED	1	1	1	1	1	1	2310469-1	CABLE SEAL RETAINER, HVA280-2PHI XE,V0	5
	1	1	1	1	1	1	1587826-2	CABLE SEAL, HVA280-2PHI	4
	2	2	2	2	2	2	1587828-2	INNER FERRULE, HVA280	3
	2	2	2	2	2	2	1587829-2	OUTER FERRULE, HVA280	2
	1	-	-	-	-	-	2310537-7	PLUG ASSY, KEY G, HVA280-2PHI XE,V0, FINGER ACCESS WITH CPA	1
	-	1	-	-	-	-	2310537-6	PLUG ASSY, KEY F, HVA280-2PHI XE,V0, FINGER ACCESS WITH CPA	
	-	-	1	-	-	-	2310537-5	PLUG ASSY, KEY E, HVA280-2PHI XE,V0, FINGER ACCESS WITH CPA	
	-	-	-	1	-	-	2310537-4	PLUG ASSY, KEY D, HVA280-2PHI XE,V0, FINGER ACCESS WITH CPA	
	-	-	-	-	1	-	2310537-2	PLUG ASSY, KEY B, HVA280-2PHI XE,V0, FINGER ACCESS WITH CPA	
-	-	-	-	-	1	2310537-1	PLUG ASSY, KEY A, HVA280-2PHI XE,V0, FINGER ACCESS WITH CPA		

THIS DRAWING IS A CONTROLLED DOCUMENT.

OWN: R. ZHANG 15MAY2016  
 CHK: S.Y. WANG 30DEC2016  
 APVD: J. YIN 30DEC2016

TE Connectivity

HVA280 2PHI XE PLUG ASSY

SIZE: A1  
 SCALE: 2:1  
 SHEET: 1 OF 1  
 REV: B