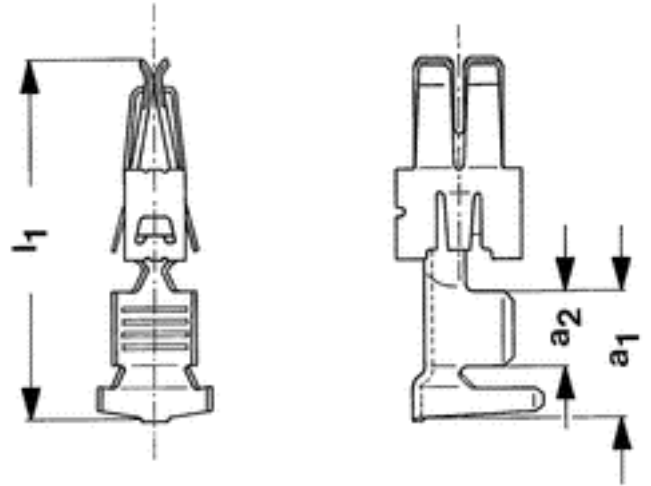




## Characteristics and dimensions of terminals

Part number	26650.330.186
Specification	AFK
Material	CuFeP
Surface / Colour	frSn 1
Form	Chain form
Transport	Normal transverse transport
Assembly	X
Packing unit / piece	2300
Section area (mm <sup>2</sup> )	2.50-4.00
Type of lead	FL
Insulation diameter (mm)	3.8 - 4.5
Tab thickness (mm)	0.80
Tab width (mm)	4.80
Nominal size	4.8x0.8-4
Material thickness (mm)	0.40
Steel spring	X
a <sub>1</sub>	6.80
a <sub>2</sub>	4.00
l <sub>1</sub>	19.50



Note: The drawing only gives an overview of the geometry of the part. The crimp area is shown as supplied in strip form. A technical drawing is available on request.

[Contents of your inquiry](#)

Packing Units (per 2300 pieces)

CW