

**Generation Y Connector System**

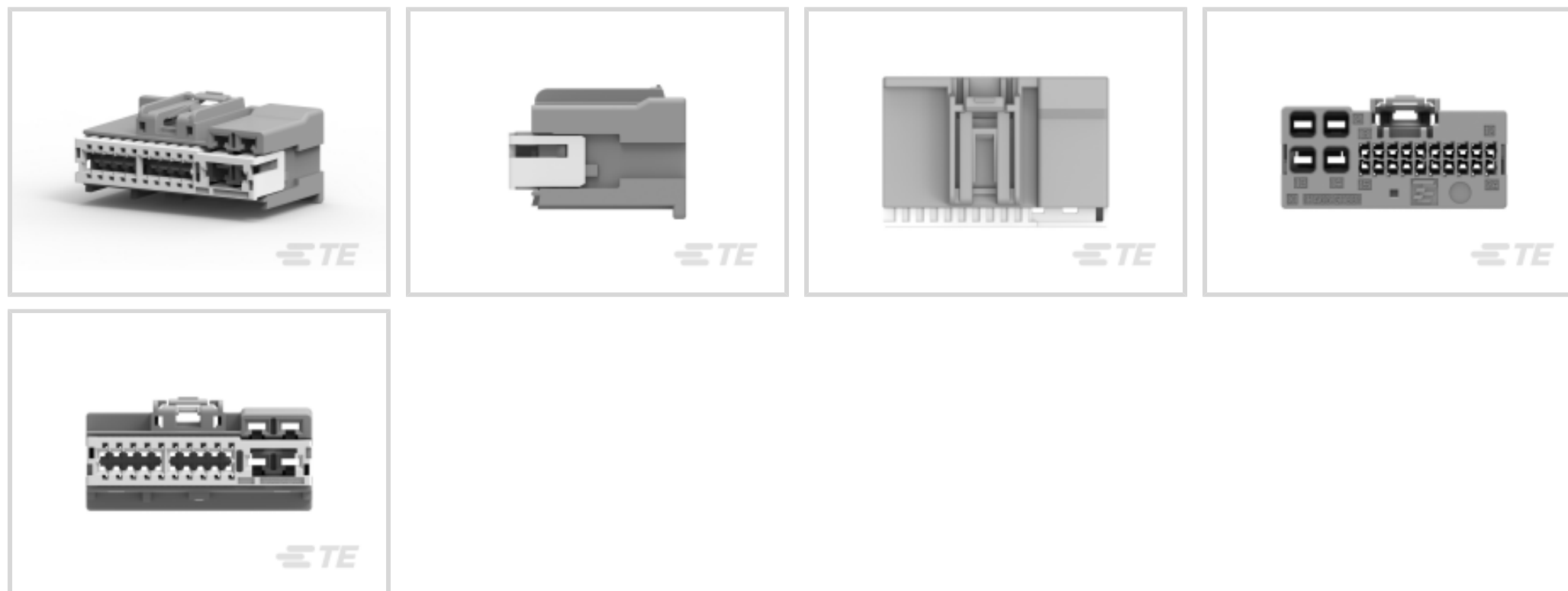
TE Internal #: 2288274-2

Housing for Female Terminals, Wire-to-Board / Wire-to-Device, 24 Position, Generation Y Connector System

[View on TE.com >](#)



Connectors > Automotive Connectors > Connector Housings



Connector & Housing Type: **Housing for Female Terminals**

Mating Tab Width: **.64 mm, 2.8 mm [ .025 in, .11 in ]**

Connector System: **Wire-to-Board, Wire-to-Device**

Number of Positions: **24**

Centerline (Pitch): **2.5 mm, 6.05 mm [ .098 in, .238 in ]**

**Features**

**Product Type Features**

Connector & Housing Shape	Rectangular
Connector & Housing Type	Housing for Female Terminals
Connector System	Wire-to-Board, Wire-to-Device
Sealable	No
Hybrid Connector	Yes
Primary Locking Feature	Integrated in Housing

**Configuration Features**

Number of Positions	24
Number of Rows	2

**Body Features**

Cable Exit Angle	180°
Body Material	PA GF
Primary Product Color	Gray
Connector Code	B



### Contact Features

Contact Size	.64mm, 2.8mm
Contact Type	Receptacle
Mating Tab Width	.64 mm, 2.8 mm [.025 in][.11 in]

### Mechanical Attachment

Mounting Feature	Without
Terminal Position Assurance	Yes
Strain Relief	Without
Mating Alignment Type	Keyed
Mating Alignment	With
Connector Mounting Type	Cable Mount (Free-Hanging)

### Housing Features

Centerline (Pitch)	2.5 mm, 6.05 mm [.098 in][.238 in]
--------------------	------------------------------------

### Dimensions

Product Width	23.65 mm [.931 in]
Product Length	40.86 mm [1.608 in]
Product Height	20 mm [.787 in]
Row-to-Row Spacing	4.24 mm, 6.4 mm [.167 in][.252 in]

### Usage Conditions

Operating Temperature (Max)	70 °C, 75 °C, 80 °C, 85 °C, 90 °C, 100 °C [158 °F][167 °F][176 °F][185 °F][194 °F][212 °F]
Operating Temperature Range	-40 – 100 °C [-40 – 212 °F]

### Operation/Application

Circuit Application	Signal
---------------------	--------

### Industry Standards

Agency/Standard	SAE/USCAR-2
-----------------	-------------

### Packaging Features

Packaging Quantity	300
Packaging Method	Package

### Other

Serviceable	Yes
-------------	-----



Connector Position Assurance Capable

Yes

### Product Compliance

[For compliance documentation, visit the product page on TE.com>](#)

EU RoHS Directive 2011/65/EU	Compliant
EU ELV Directive 2000/53/EC	Compliant
China RoHS 2 Directive MIIT Order No 32, 2016	No Restricted Materials Above Threshold
EU REACH Regulation (EC) No. 1907/2006	Current ECHA Candidate List: JUNE 2022 (224) Candidate List Declared Against: JAN 2022 (223) SVHC > Threshold: Not Yet Reviewed
Halogen Content	Low Halogen - Br, Cl, F, I < 900 ppm per homogenous material. Also BFR/CFR/PVC Free
Solder Process Capability	Not applicable for solder process capability

#### Product Compliance Disclaimer

This information is provided based on reasonable inquiry of our suppliers and represents our current actual knowledge based on the information they provided. This information is subject to change. The part numbers that TE has identified as EU RoHS compliant have a maximum concentration of 0.1% by weight in homogenous materials for lead, hexavalent chromium, mercury, PBB, PBDE, DBP, BBP, DEHP, DIBP, and 0.01% for cadmium, or qualify for an exemption to these limits as defined in the Annexes of Directive 2011/65/EU (RoHS2). Finished electrical and electronic equipment products will be CE marked as required by Directive 2011/65/EU. Components may not be CE marked. Additionally, the part numbers that TE has identified as EU ELV compliant have a maximum concentration of 0.1% by weight in homogenous materials for lead, hexavalent chromium, and mercury, and 0.01% for cadmium, or qualify for an exemption to these limits as defined in the Annexes of Directive 2000/53/EC (ELV). Regarding the REACH Regulation, the information TE provides on SVHC in articles for this part number is based on the latest European Chemicals Agency (ECHA) 'Guidance on requirements for substances in articles' posted at this URL: <https://echa.europa.eu/guidance-documents/guidance-on-reach>

### Compatible Parts

 <p>TE Part # 1924955-1 CONTACT,FEMALE0.64,20-22AWG, UNSEAL</p>	 <p>TE Part # CAT-HPCH5372 HIGH PIN COUNT HEADER</p>	 <p>TE Part # CAT-PFSMTH9264 PRESS-FIT &amp; SMT HEADER</p>	 <p>TE Part # 2035334-2 CONTACT,FEMALE0.64, 18 AWG</p>
--	---	--	---



TE Part # 1924955-2  
CONTACT,FEMALE0.64,18AWG,  
UNSEALED



TE Part # 1924955-4  
CONTACT,FEMALE0.64,18AWG,  
UNSEALED



TE Part # 2035334-4  
Contact,female0.64, 18 AWG



TE Part # 2035334-1  
CONTACT,FEMALE0.64, 20 TO 22 A



TE Part # 1924955-3  
CONTACT,FEMALE0.64,20-22AWG,  
UNSEAL



TE Part # 2035334-3  
CONTACT,FEMALE0.64, 20 TO 22  
AWG



TE Part # 1924955-7  
CONTACT,FEMALE0.64,0.13SQMM,  
UN



TE Part # 2035334-7  
Contact, female0.64 ,0.13sqmm,  
UN




TE Part # 1924955-5  
CONTACT,FEMALE0.64,0.13SQMM,  
UN


## Also in the Series | Generation Y Connector System




Automotive Connector Caps & Covers  
(16)



Automotive Housings(153)



Automotive Terminals(39)

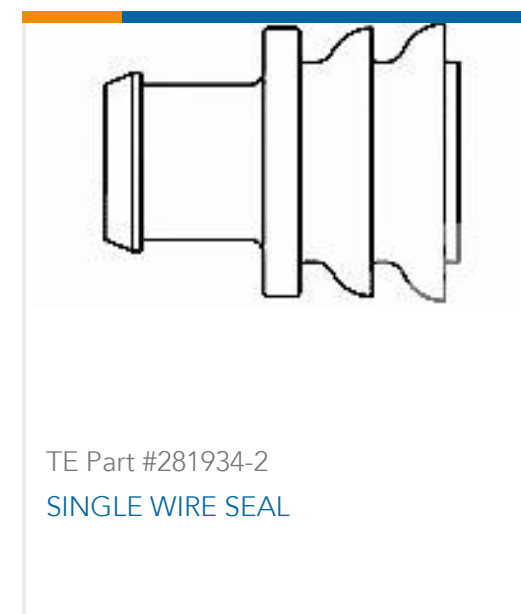
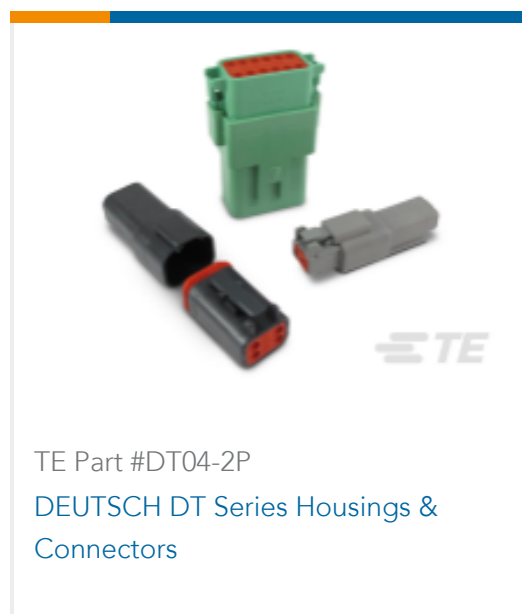


Insertion & Extraction Tools(1)



PCB Headers & Receptacles(15)

## Customers Also Bought



## Documents

### Product Drawings

#### 24P HYBRID 0.64/2.8 PLUG ASSY, B KEY

English

### CAD Files

#### 3D PDF

3D

#### Customer View Model

[ENG\\_CVM\\_CVM\\_2288274-2\\_A.2d\\_dxf.zip](#)

English

#### Customer View Model

[ENG\\_CVM\\_CVM\\_2288274-2\\_A.3d\\_igs.zip](#)

English

#### Customer View Model

[ENG\\_CVM\\_CVM\\_2288274-2\\_A.3d\\_stp.zip](#)

English

By downloading the CAD file I accept and agree to the [Terms and Conditions](#) of use.

### Product Specifications

#### Product Specification

English

### Product Environmental Compliance

#### Product Compliance

English

#### Product Compliance

English



[Instruction Sheets](#)

[Instruction Sheet \(U.S.\)](#)

English