

2302450-1 ✓ ACTIVE

MATenet

TE Internal #: 2302450-1

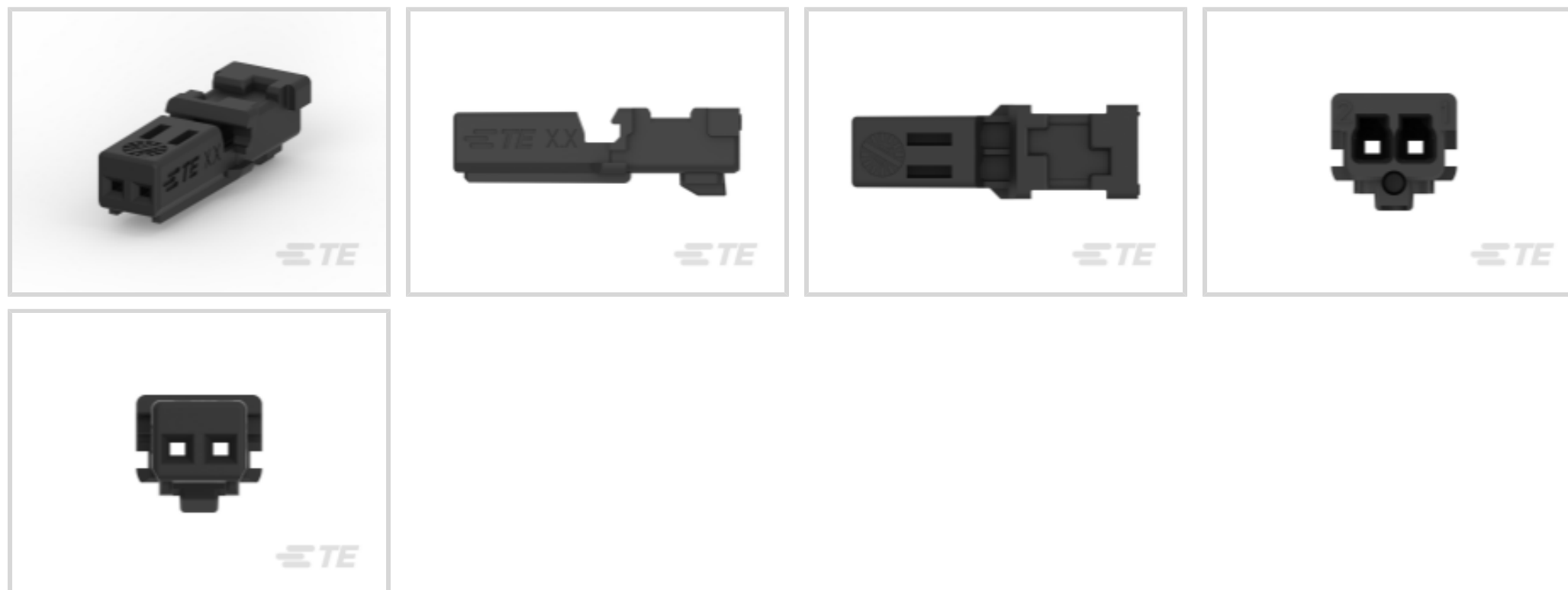
Housing for Female Terminals, Wire-to-Wire, 2 Position, .07 in [1.8 mm] Centerline, Black, Signal, Cable Mount (Free-Hanging),

MATenet

[View on TE.com >](#)



Connectors > Automotive Connectors > Connector Housings



Connector & Housing Type: **Housing for Female Terminals**

Mating Tab Width: **.5 mm [ .019 in ]**

Connector System: **Wire-to-Wire**

Number of Positions: **2**

Centerline (Pitch): **1.8 mm [ .07 in ]**

### Features

#### Product Type Features

Connector & Housing Shape	Rectangular
Connector & Housing Type	Housing for Female Terminals
Connector System	Wire-to-Wire
Sealable	No
Hybrid Connector	No
Primary Locking Feature	Integrated in Housing

#### Configuration Features

Number of Positions	2
Number of Rows	1

#### Body Features

Cable Exit Angle	180°
Body Material	PA GF
Primary Product Color	Black

#### Contact Features



Contact Size	.5mm
Contact Type	Receptacle
Mating Tab Width	.5 mm[.019 in]

### Mechanical Attachment

Mounting Feature	Without
Terminal Position Assurance	No
Strain Relief	Without
Mating Alignment Type	Polarized
Mating Alignment	With
Connector Mounting Type	Cable Mount (Free-Hanging)

### Housing Features

Centerline (Pitch)	1.8 mm[.07 in]
--------------------	----------------

### Dimensions

Product Width	15.95 mm[.627 in]
Product Length	5.25 mm[.206 in]
Product Height	4.9 mm[.192 in]

### Operation/Application

Circuit Application	Signal
---------------------	--------

### Other

Serviceable	No
Connector Position Assurance Capable	No

### Product Compliance

[For compliance documentation, visit the product page on TE.com>](#)

EU RoHS Directive 2011/65/EU	Compliant
EU ELV Directive 2000/53/EC	Compliant
China RoHS 2 Directive MIIT Order No 32, 2016	No Restricted Materials Above Threshold
EU REACH Regulation (EC) No. 1907/2006	Current ECHA Candidate List: JUNE 2022 (224) Candidate List Declared Against: JUNE 2022 (224) Does not contain REACH SVHC
Halogen Content	Low Halogen - Br, Cl, F, I < 900 ppm per homogenous material. Also BFR/CFR/PVC

Free

Solder Process Capability

Not reviewed for solder process capability

Product Compliance Disclaimer

This information is provided based on reasonable inquiry of our suppliers and represents our current actual knowledge based on the information they provided. This information is subject to change. The part numbers that TE has identified as EU RoHS compliant have a maximum concentration of 0.1% by weight in homogenous materials for lead, hexavalent chromium, mercury, PBB, PBDE, DBP, BBP, DEHP, DIBP, and 0.01% for cadmium, or qualify for an exemption to these limits as defined in the Annexes of Directive 2011/65/EU (RoHS2). Finished electrical and electronic equipment products will be CE marked as required by Directive 2011/65/EU. Components may not be CE marked. Additionally, the part numbers that TE has identified as EU ELV compliant have a maximum concentration of 0.1% by weight in homogenous materials for lead, hexavalent chromium, and mercury, and 0.01% for cadmium, or qualify for an exemption to these limits as defined in the Annexes of Directive 2000/53/EC (ELV). Regarding the REACH Regulation, the information TE provides on SVHC in articles for this part number is based on the latest European Chemicals Agency (ECHA) 'Guidance on requirements for substances in articles' posted at this URL: <https://echa.europa.eu/guidance-documents/guidance-on-reach>

### Compatible Parts



TE Part # 1-1703930-2  
NANOMQS, RECEPTACLE TERMINAL



TE Part # 1802105-1  
1PORT,MATENET,REC HSG,SLD,COD A,UTP,ASSY



TE Part # 1802105-2  
1PORT,MATENET,REC HSG,SLD,COD B,UTP,ASSY



TE Part # 1802105-3  
1PORT,MATENET,REC HSG,SLD,COD C,UTP,ASSY



TE Part # 1802105-4  
1PORT,MATENET,REC HSG,SLD,COD D,UTP,ASSY



TE Part # 1802105-5  
1PORT,MATENET,REC HSG,SLD,COD E,UTP,ASSY



TE Part # 1802105-7  
1PORT,MATENET,REC HSG,SLD,COD J,UTP,ASSY



TE Part # 1802105-9  
1PORT,MATENET,REC HSG,SLD,COD Z,UTP,ASSY



TE Part # 2-2382219-2  
OCEAN-2.0-APPLICATOR-S-201SP144O



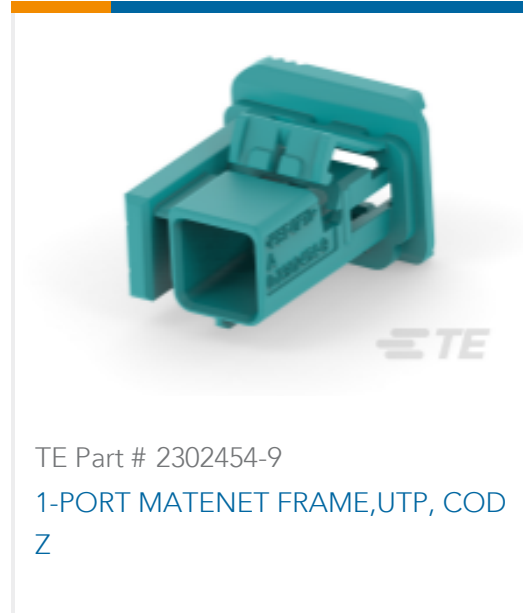
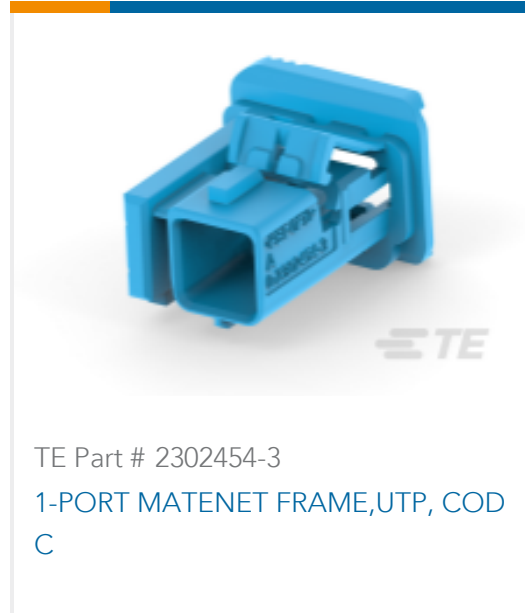
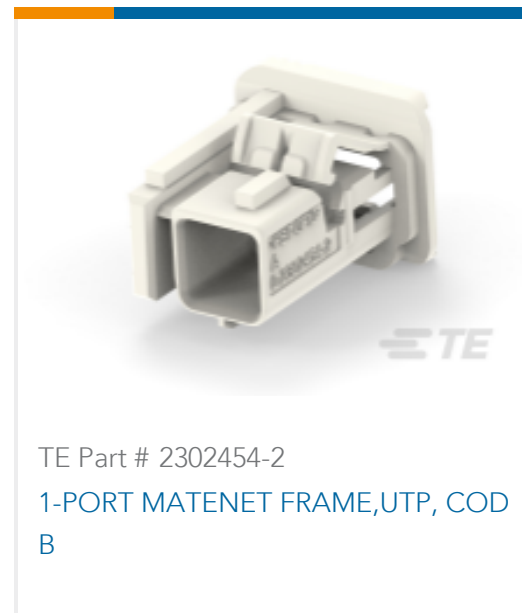
TE Part # 2-2382221-2  
OCEAN-2.0-APPLICATOR-S-201SP173O



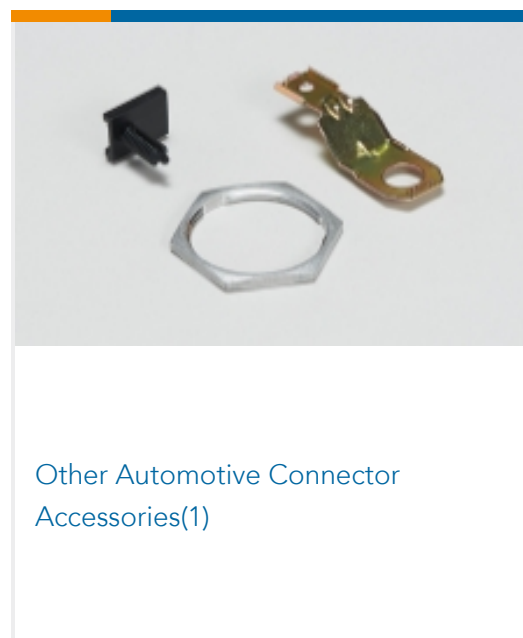
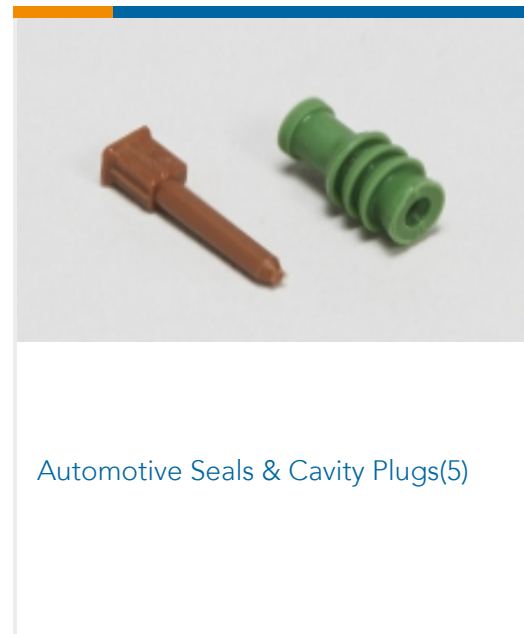
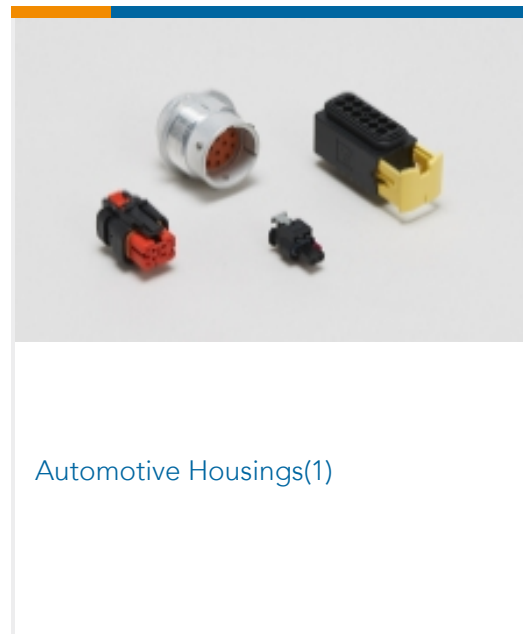
TE Part # 2-2837975-2  
OCEAN-2.0-APPLICATOR-S-201SP224O



TE Part # 2302452-1  
MATENET, FIXATION ELEMENT



### Also in the Series | MATENet



### Customers Also Bought





TE Part #7-1618402-8  
EV200F5ANA = Contactor, Latch,  
24Vdc Coi



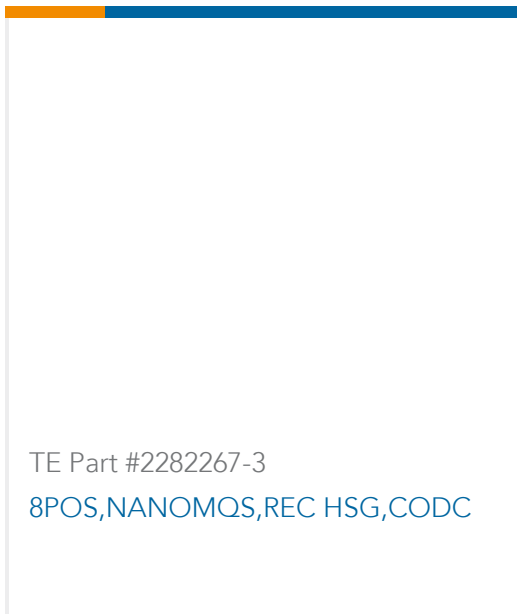
TE Part #2-1579024-4  
HAND TOOL 2,5 MM DIA.  
CONTACTS 0,20-0,35



TE Part #2296545-2  
HPF 1.2 REC SWS AU (0.35MM)



TE Part #9-2302454-9  
1-PORT MATENET FRAME, UTP, COD  
Z



TE Part #2282267-3  
8POS,NANOMQS,REC HSG,CODC

## Documents

### Product Drawings

MATENET, FEMALE INSERT MODUL, BLACK

English

### CAD Files

3D PDF

3D

Customer View Model

[ENG\\_CVM\\_CVM\\_2302450-1\\_B.2d\\_dxf.zip](#)

English

Customer View Model

[ENG\\_CVM\\_CVM\\_2302450-1\\_B.3d\\_igs.zip](#)

English

Customer View Model

[ENG\\_CVM\\_CVM\\_2302450-1\\_B.3d\\_stp.zip](#)

English

By downloading the CAD file I accept and agree to the [Terms and Conditions](#) of use.

### Product Specifications

[Application Specification](#)

English