

2299282-1 ✓ ACTIVE

POD-LOK | POD-LOK 250

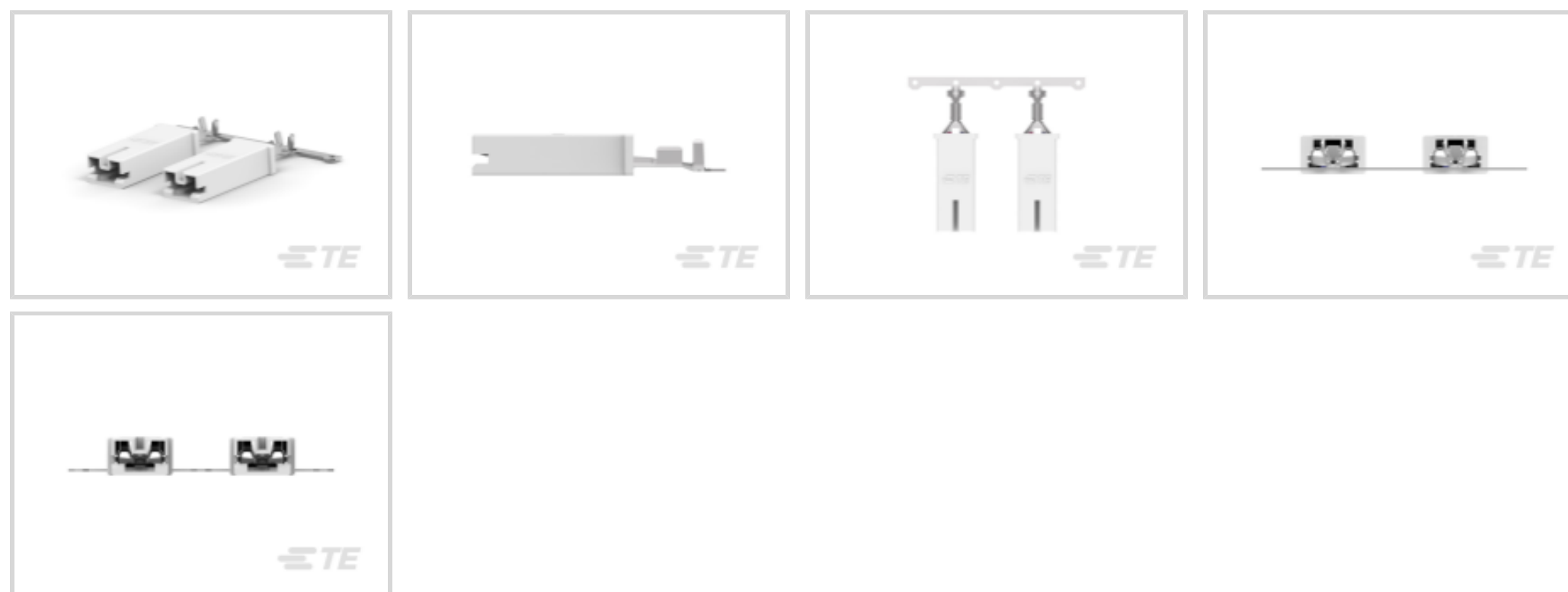
TE Internal #: 2299282-1

Quick Disconnects, Receptacle, 22 – 18 AWG Wire Size, .3 – 1 mm<sup>2</sup> Wire Size, Mating Tab Width .25 in [6.35 mm], Straight, Brass, POD-LOK 250

[View on TE.com >](#)



Terminals & Splices > Quick Disconnects > POD LOK: Straight, Receptacle Assembly, Tin Plated, 0.25 inch



Quick Disconnect Terminal Type: **Receptacle**

Wire Size: .3 – 1 mm<sup>2</sup>

Mating Tab Width: 6.35 mm [.25 in]

Mating Tab Thickness: .81 mm [.032 in]

[All POD LOK: Straight, Receptacle Assembly, Tin Plated, 0.25 inch \(6\)](#)

## Features

### Product Type Features

|                 |              |
|-----------------|--------------|
| Terminates To   | Wire & Cable |
| Wire/Cable Type | Regular Wire |
| Insertion Force | Low          |
| Sealable        | No           |

### Configuration Features

|                     |        |
|---------------------|--------|
| Connection Capacity | Single |
|---------------------|--------|

### Electrical Characteristics

|               |       |
|---------------|-------|
| Voltage (Max) | 600 V |
|---------------|-------|

### Contact Features

|                                |                  |
|--------------------------------|------------------|
| Quick Disconnect Terminal Type | Receptacle       |
| Mating Tab Width               | 6.35 mm [.25 in] |
| Mating Tab Thickness           | .81 mm [.032 in] |
| Terminal Orientation           | Straight         |



|                           |         |
|---------------------------|---------|
| Contact Base Material     | Brass   |
| Terminal Plating Material | Pre-Tin |
| Crimp Type                | F-Crimp |
| Barrel Type               | Open    |

### Mechanical Attachment

|                         |      |
|-------------------------|------|
| Wire Insulation Support | With |
|-------------------------|------|

### Dimensions

|  |                           |
|--|---------------------------|
| Accepts Wire Insulation Diameter Range | 2.2 – 3 mm [.09 – .12 in] |
| Receptacle Terminal Stock Thickness    | .41 mm [.016 in]          |
| Wire Size                              | .3 – 1 mm <sup>2</sup>    |

### Usage Conditions

|                             |                             |
|-----------------------------|-----------------------------|
| Insulation Option           | Uninsulated                 |
| Operating Temperature Range | -40 – 110 °C [-40 – 230 °F] |

### Industry Standards

|                           |            |
|---------------------------|------------|
| RU (UL Component Program) | No         |
| UL Rating                 | Recognized |
| UL Flammability Rating    | UL 94V-0   |
| CSA Certified             | No         |

### Packaging Features

|                    |            |
|--------------------|------------|
| Packaging Quantity | 2300       |
| Packaging Method   | Strip/Reel |

### Product Compliance

[For compliance documentation, visit the product page on TE.com>](#)

|   |  |
|---|--|
| EU RoHS Directive 2011/65/EU                  | Compliant  |
| EU ELV Directive 2000/53/EC                   | Compliant  |
| China RoHS 2 Directive MIIT Order No 32, 2016 | No Restricted Materials Above Threshold  |
| EU REACH Regulation (EC) No. 1907/2006        | Current ECHA Candidate List: JUNE 2022 (224)<br>Candidate List Declared Against: JAN 2022 (223)<br>SVHC > Threshold:<br>Not Yet Reviewed |
| Halogen Content                               | Not Low Halogen - contains Br or Cl > 900  |



ppm.

Solder Process Capability

Not reviewed for solder process capability

Product Compliance Disclaimer

This information is provided based on reasonable inquiry of our suppliers and represents our current actual knowledge based on the information they provided. This information is subject to change. The part numbers that TE has identified as EU RoHS compliant have a maximum concentration of 0.1% by weight in homogenous materials for lead, hexavalent chromium, mercury, PBB, PBDE, DBP, BBP, DEHP, DIBP, and 0.01% for cadmium, or qualify for an exemption to these limits as defined in the Annexes of Directive 2011/65/EU (RoHS2). Finished electrical and electronic equipment products will be CE marked as required by Directive 2011/65/EU. Components may not be CE marked. Additionally, the part numbers that TE has identified as EU ELV compliant have a maximum concentration of 0.1% by weight in homogenous materials for lead, hexavalent chromium, and mercury, and 0.01% for cadmium, or qualify for an exemption to these limits as defined in the Annexes of Directive 2000/53/EC (ELV). Regarding the REACH Regulation, the information TE provides on SVHC in articles for this part number is based on the latest European Chemicals Agency (ECHA) 'Guidance on requirements for substances in articles' posted at this URL: <https://echa.europa.eu/guidance-documents/guidance-on-reach>

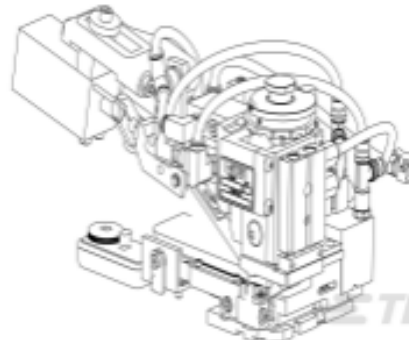
### Compatible Parts



TE Part # 2299286-2  
 POD-LOK 187 STR. AWG 20-16 PTPBR GF



TE Part # CAT-P842-2504  
 POD LOK: Straight, Receptacle Assembly, Tin Plated, 0.25 inch



TE Part # 1855703-1  
 POD-LOK APPLICATOR



TE Part # 3-2299286-1  
 POD-LOK 187 STR. AWG 24-20 PTPBR




TE Part # 3-2299286-2  
 POD-LOK 187 STR. AWG 24-20 PTPBR

### Also in the Series | POD-LOK 250

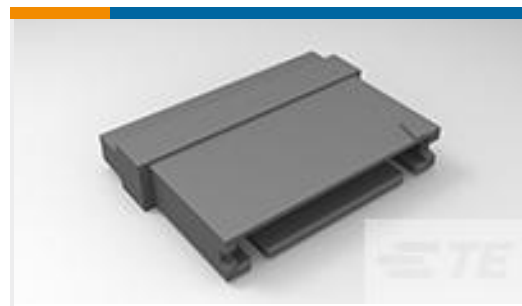


Insulation Boots & Sleeves(1)



Quick Disconnects(6)

### Customers Also Bought



TE Part #494032-2  
003 HOUSING FFC PIN 100CL SR



TE Part #86561-4  
ROUND WIRE PIN L.P.



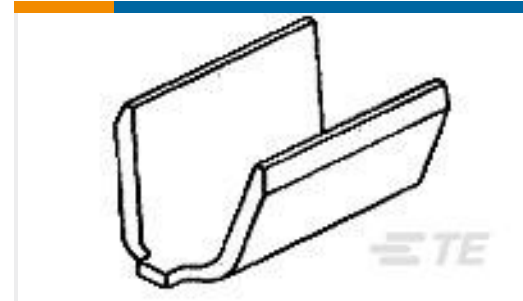
TE Part #63555-2  
250 FASTON FLAG REC 18-12 AWG  
TPBR



TE Part #1-480709-9  
12P UMNL CAP HSG BLK  
TPBR



TE Part #62612-2  
RING .164 12-10 AWG 0245 TPCRS



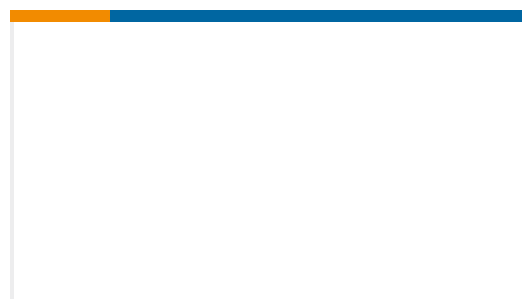
TE Part #63625-1  
SPLICE 5000-16000 .025 BR



TE Part #2299286-1  
POD-LOK 187 STR. AWG 24-20 PTPBR  
GF



TE Part #2238156-1  
POS LOCK 250 Rec, MKII, 22-18 TPBR  
GF



TE Part #3-23846-5  
SPRING,DIE



TE Part #6-456134-9  
CRIMPER, INSULATION "F"(,130")

## Documents

### Product Drawings

[POD-LOK 250 STR. AWG 22-18 PTPBR GF](#)

English

### CAD Files

[3D PDF](#)

3D

Customer View Model

[ENG\\_CVM\\_CVM\\_2299282-1\\_A.2d\\_dxf.zip](#)

English

Customer View Model

[ENG\\_CVM\\_CVM\\_2299282-1\\_A.3d\\_igs.zip](#)

English

Customer View Model

[ENG\\_CVM\\_CVM\\_2299282-1\\_A.3d\\_stp.zip](#)

English

By downloading the CAD file I accept and agree to the [Terms and Conditions](#) of use.

### Datasheets & Catalog Pages



[pod-lok\\_receptacles\\_qrg](#)

English

---

[Product Specifications](#)

[Application Specification](#)

English

---

[Product Environmental Compliance](#)

[TE Material Declaration](#)

English

---

[Agency Approvals](#)

[VDE Certificate](#)

English