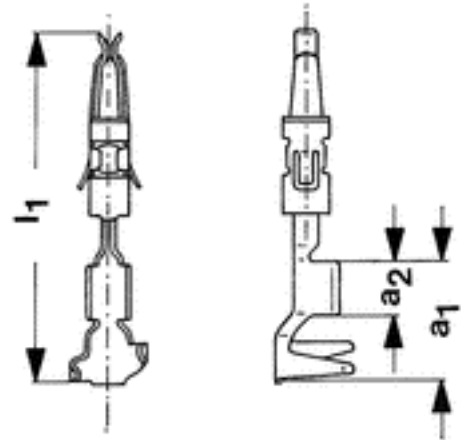




## Characteristics and dimensions of terminals

Part number	26041.331.185
Specification	AFK PLUS
Material	CuFeP
Surface / Colour	frSn 1
Form	Chain form
Transport	Normal transverse transport
Assembly	X
Packing unit / piece	5000
Section area (mm <sup>2</sup> )	0.50-1.00
Type of lead	FLR
Insulation diameter (mm)	1.4 - 2.0
Tab thickness (mm)	0.60
Tab width (mm)	1.50
Nominal size	1.5x0.6-1
Material thickness (mm)	0.30
Steel spring	X
a <sub>1</sub>	6.40
a <sub>2</sub>	3.00
l <sub>1</sub>	19.00



Note: The drawing only gives an overview of the geometry of the part. The crimp area is shown as supplied in strip form. A technical drawing is available on request.

### [Contents of your inquiry](#)

Packing Units (per 5000 pieces) CW