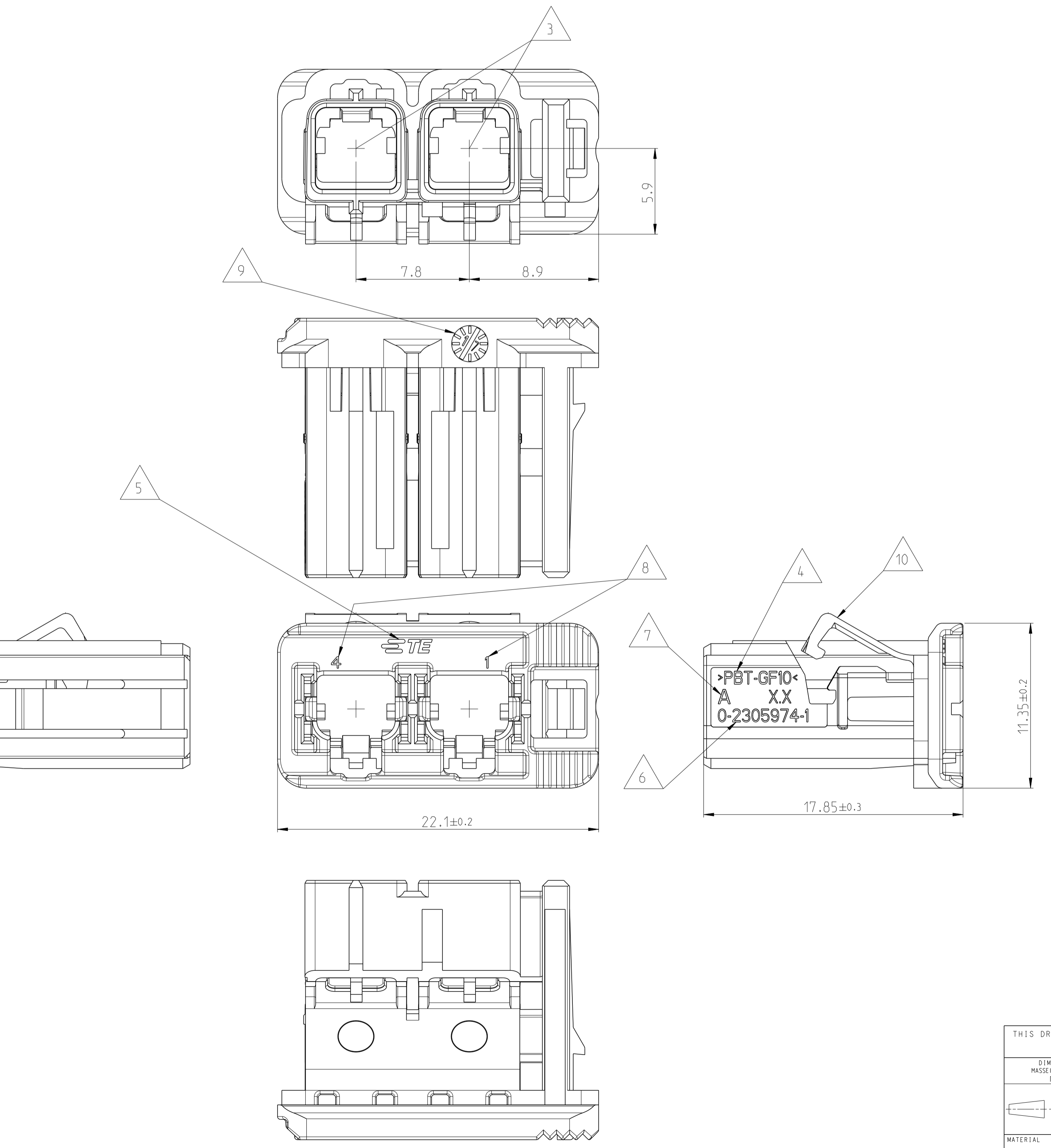
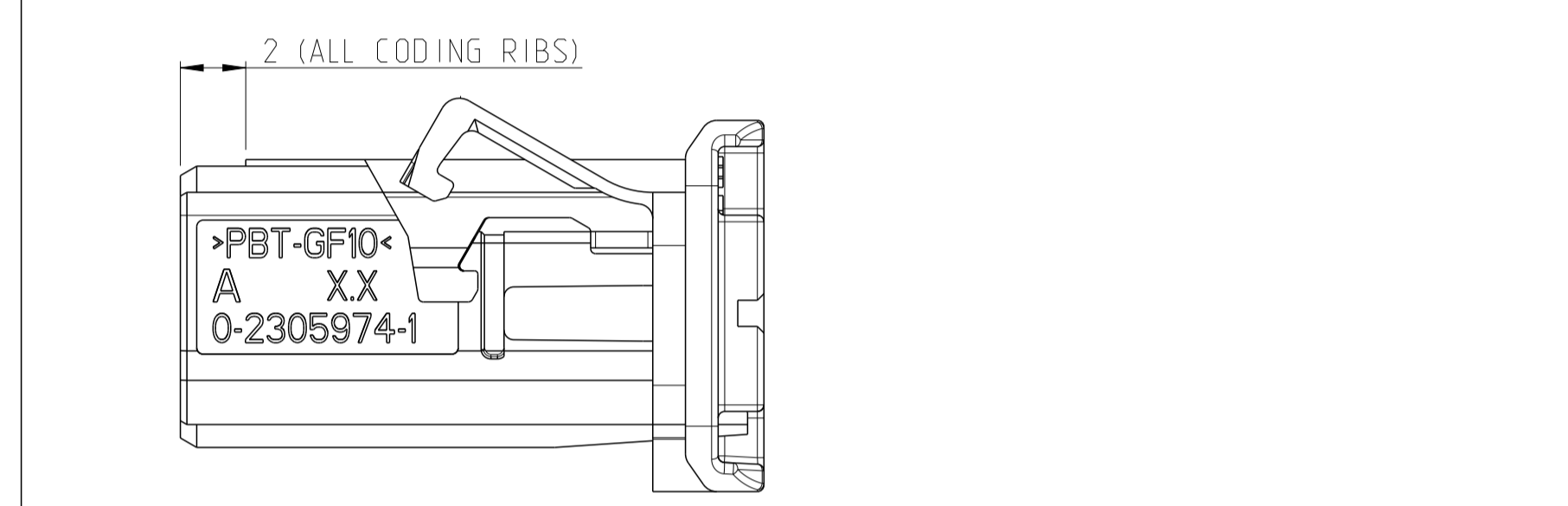
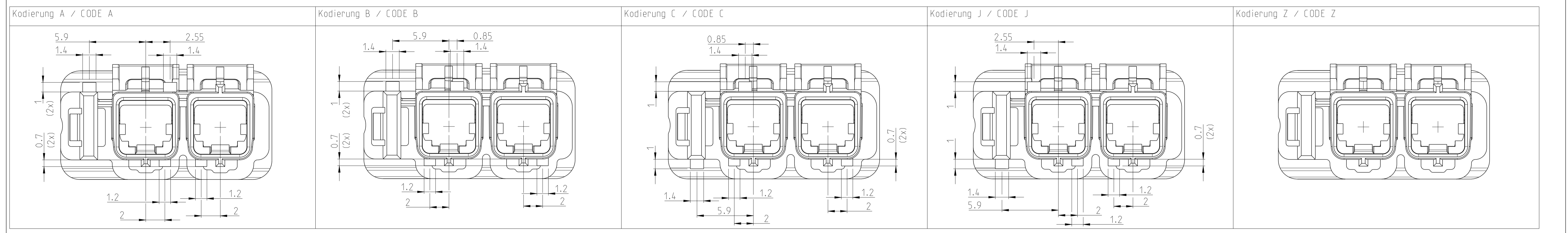
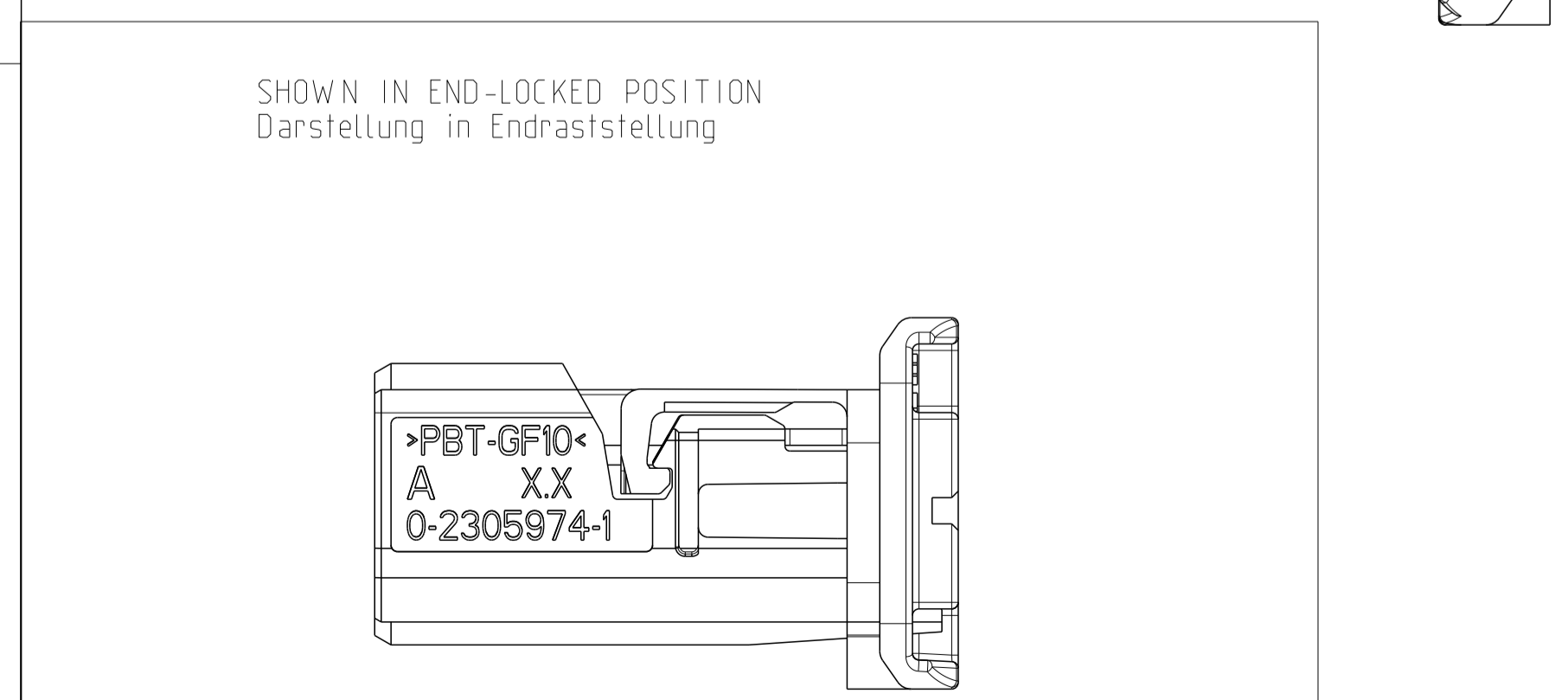


PROJECT NR.:		REVISIONS ÄNDERUNGEN			
P	LTN	DESCRIPTION BESCHREIBUNG	DATE	DWN	APVD
A		NEW DRAWING	130CT2016	KIJ	AK
A1		E-17-011935	17AUG2017	RW	AK



- Notizen / NOTES
- 0-2305974-1 Kodierung A wie dargestellt
0-2305974-1 CODING A AS SHOWN
 - Passend zu Stiftwanne nach
TE-Schnittstellenzeichnung 208-18012
MATING TO PINHEADER ACC.
TE-INTERFACE DRAWING 208-18012
 - Kammer fuer MATenet 2Pos. NanoMQS female Insert module
TE PN 0-2302450-X
CAVITY FOR MATenet 2Pos. NanoMQS FEMALE INSERT MODULE
TE PN 0-2302450-X
 - Materialkennzeichnung
MATERIAL MARKING
 - TE-Logo
TE-LOGO
 - TE-Teile Nummer
TE-Part Number
 - Revisionsstand
PART REVISION
 - Kontaktkammernummer
CONTACT CAVITY NUMBER
 - Produktionsdatum
PRODUCTION DATE
 - Anlieferungszustand: 2. Kontaktsicherung geöffnet
DELIVERY CONDITION: RETAINER IN OPEN POSITION
 - Verpackung: Schuetztgut im Beutel im Karton
PACKAGING: LOOSE PIECES IN BAG IN BOX



CODE	PART No.	REV.	DESCRIPTION	MATERIAL	WEIGHT [g]	COLOR similar RAL
Z	0-2305974-9	A	Dual-Port MATenet Frame, Code Z	PBT-GF10 0% regrind	1.5	water-blue 5021
J	0-2305974-7	A	Dual-Port MATenet Frame, Code J		1.5	beige 1001
C	0-2305974-3	A	Dual-Port MATenet Frame, Code C		1.5	blue 5012
B	0-2305974-2	A	Dual-Port MATenet Frame, Code B		1.5	white 9010
A	0-2305974-1	A	Dual-Port MATenet Frame, Code A		1.5	black 9011

THIS DRAWING IS A CONTROLLED DOCUMENT. DWG: J.KIESSWITZER 17AUG2016
 CHK: R. WUERKER 130CT2016
 APVD: A. KETTLER 140CT2016

DIMENSIONS: MASSENHEITEN: mm
 TOLERANCES UNLESS OTHERWISE SPECIFIED: ALL DIMENSIONS

0 PLC	±0.2
1 PLC	±0.1
2 PLC	±0.1
3 PLC	±0.1
4 PLC	±0.1
ANGLES/WINKEL	±0.1
FINISH/BOHRFLÄCHE-FARBE	±0.1

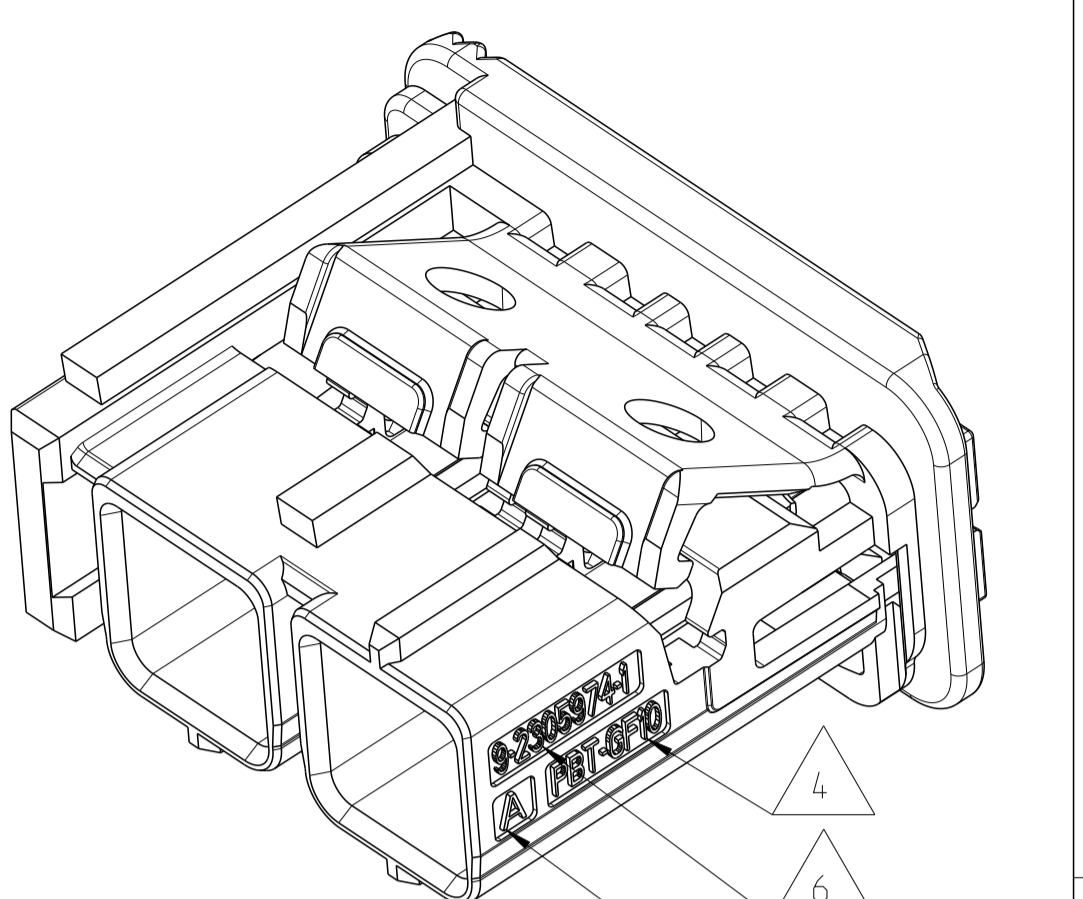
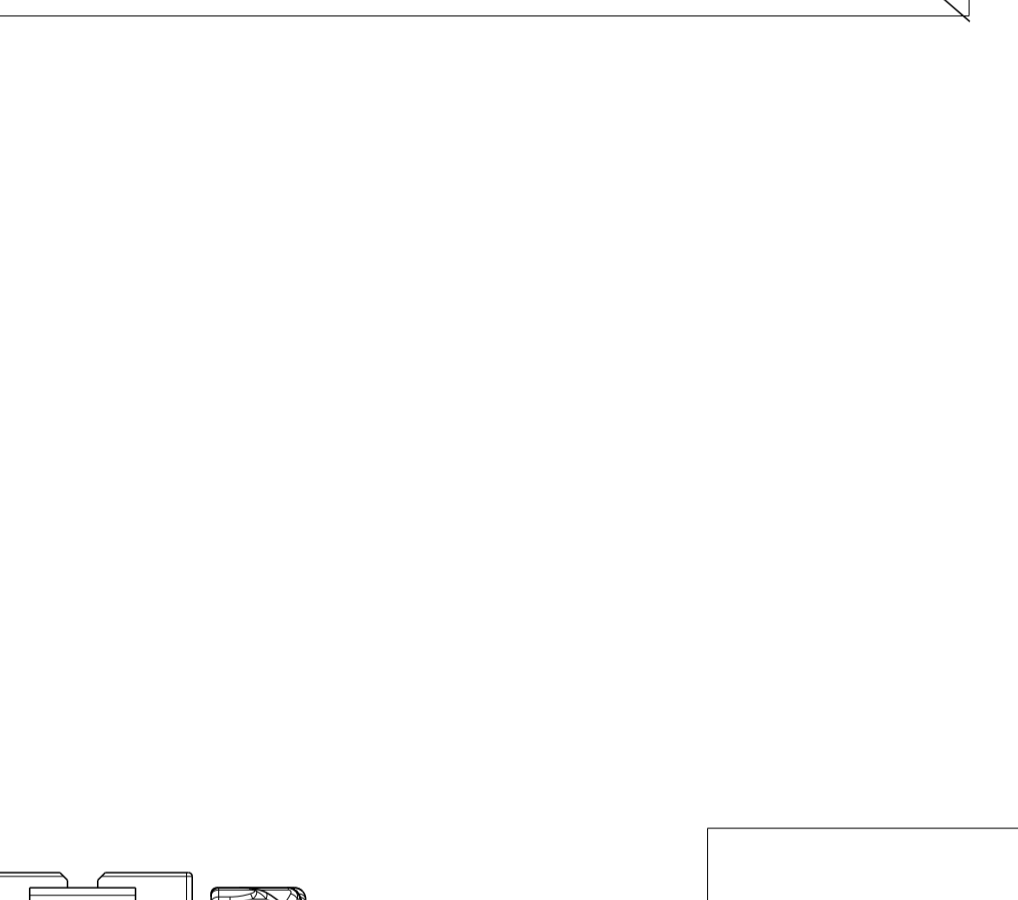
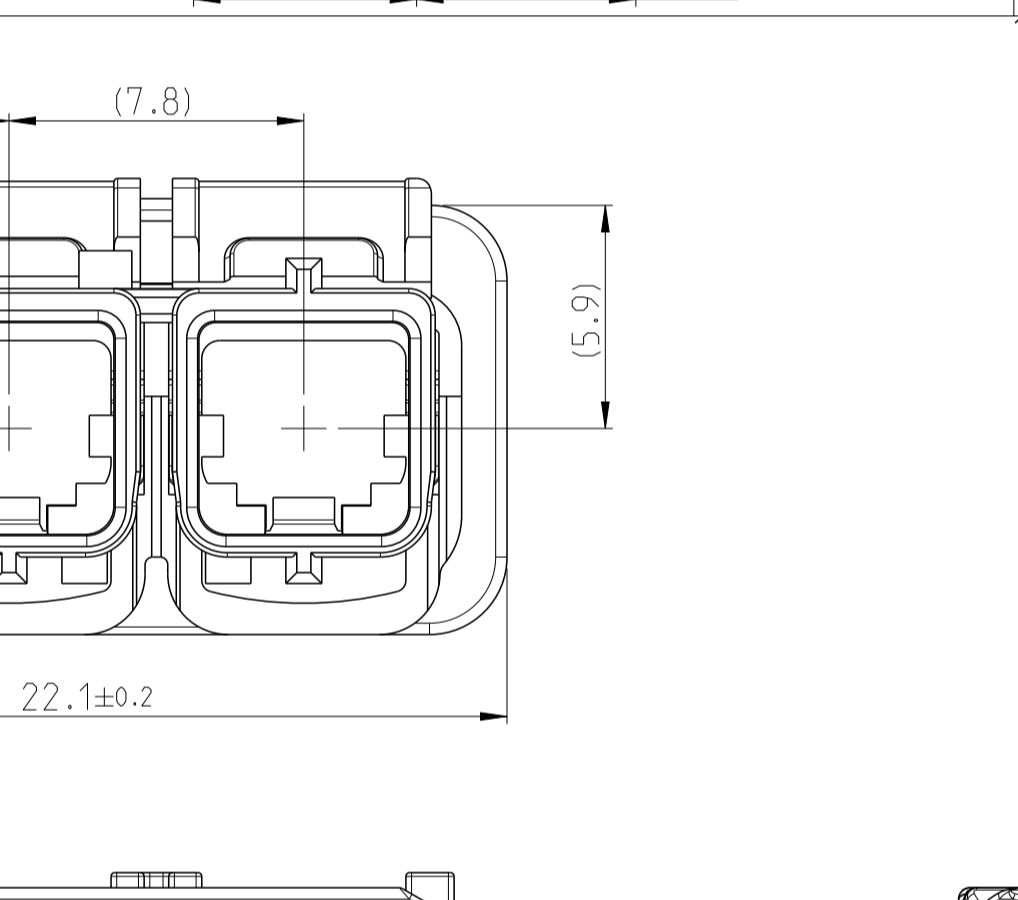
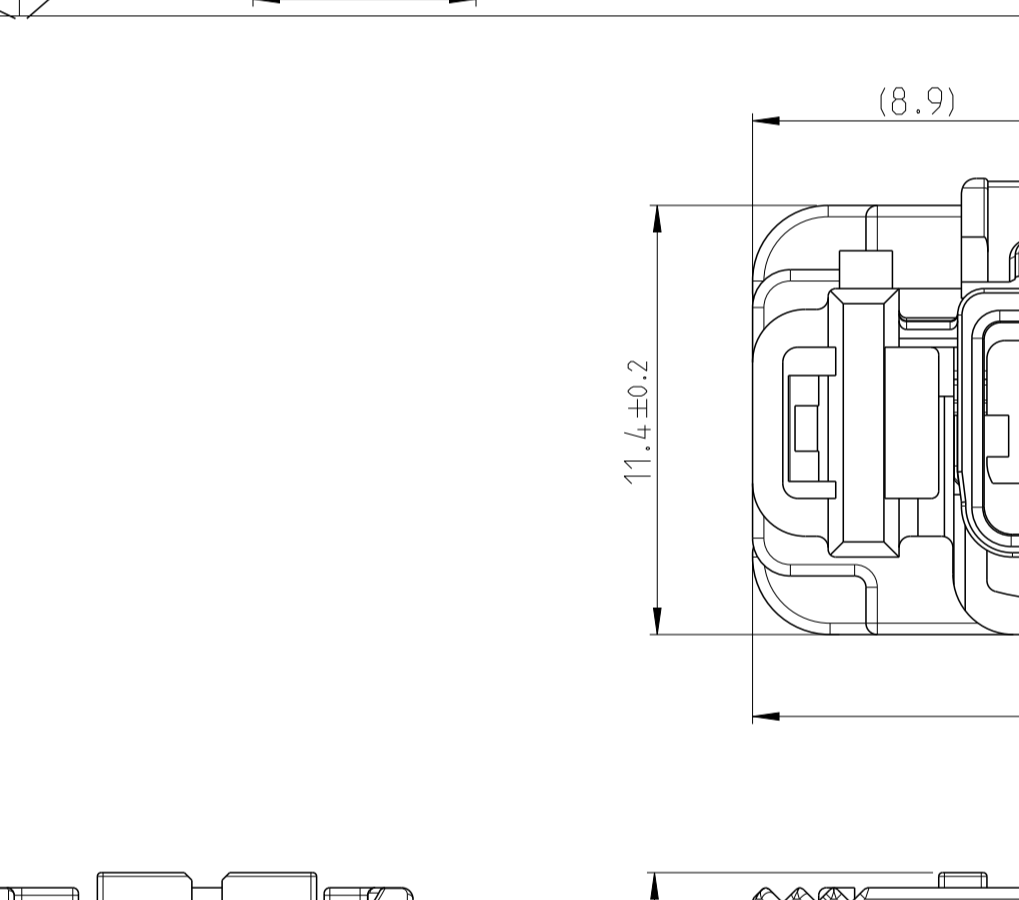
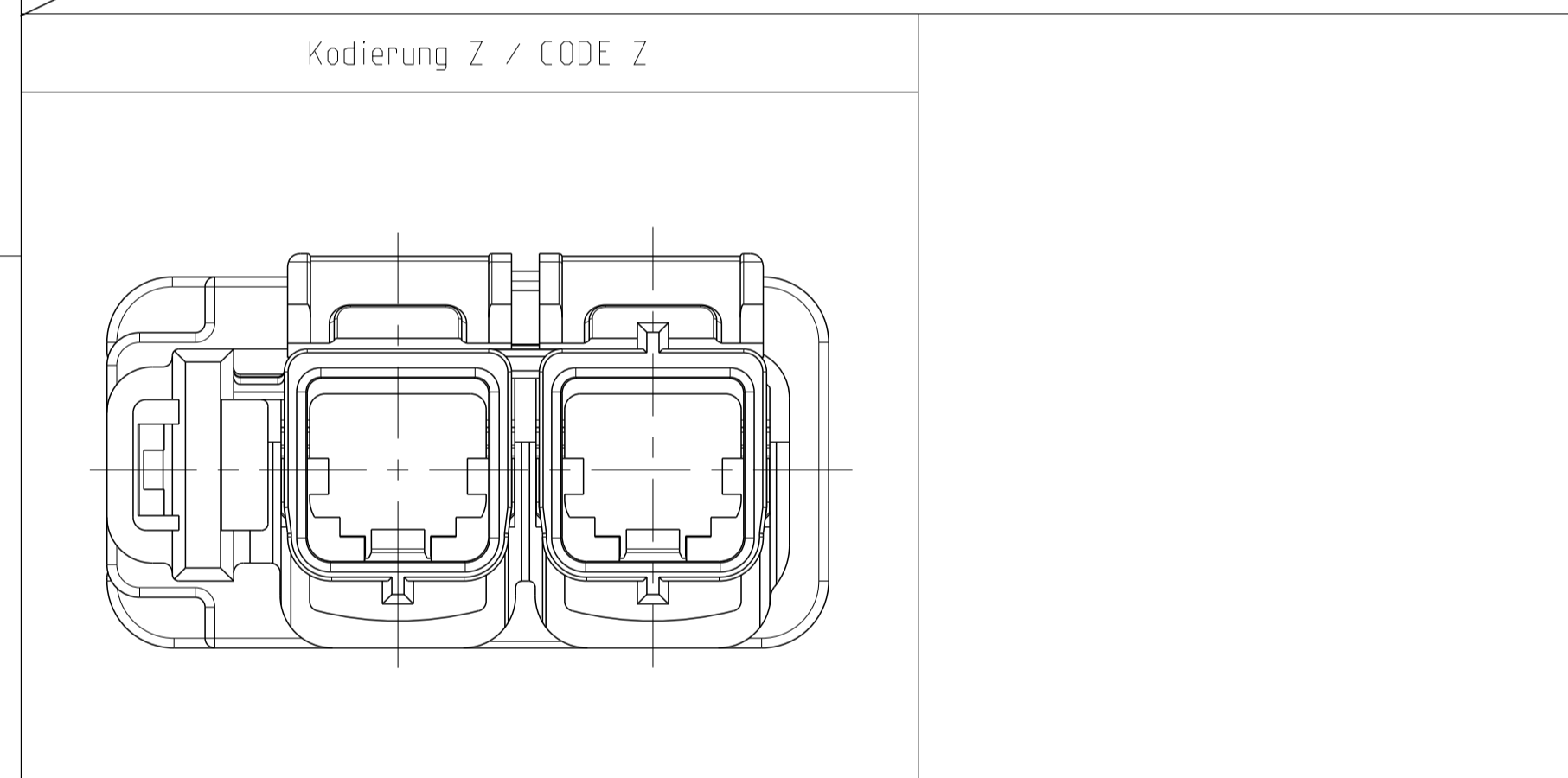
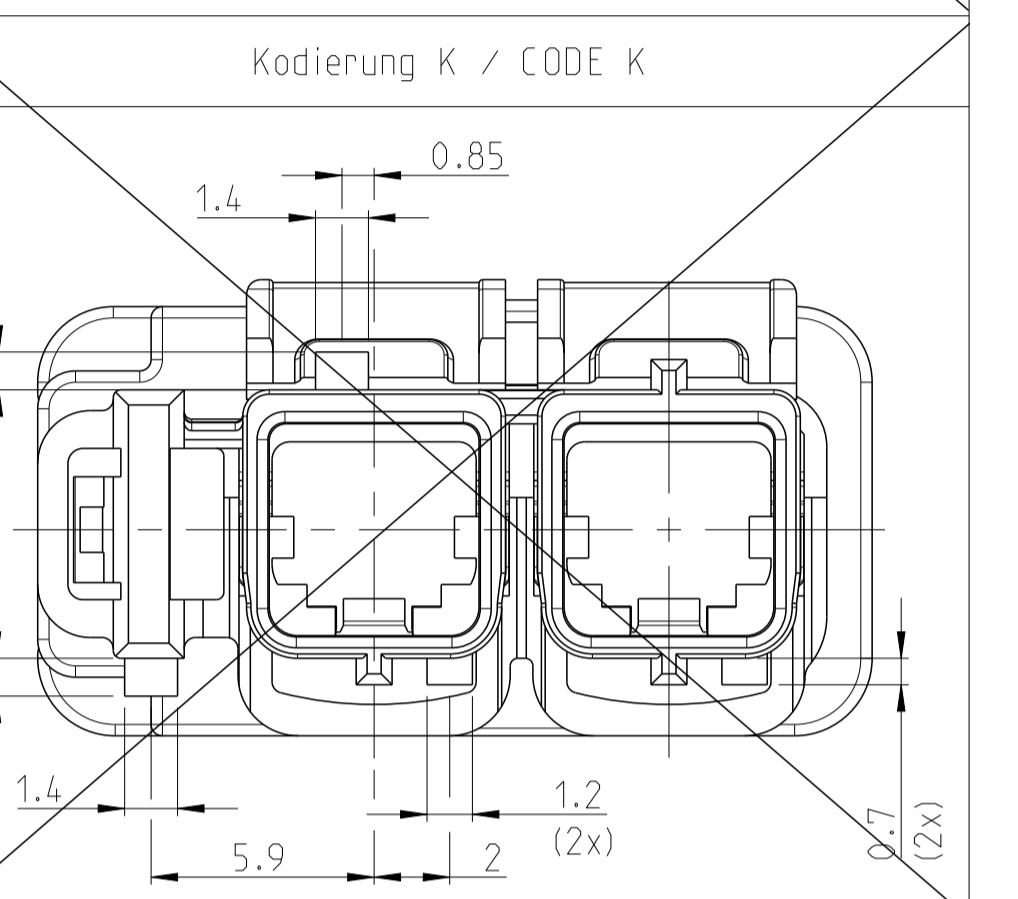
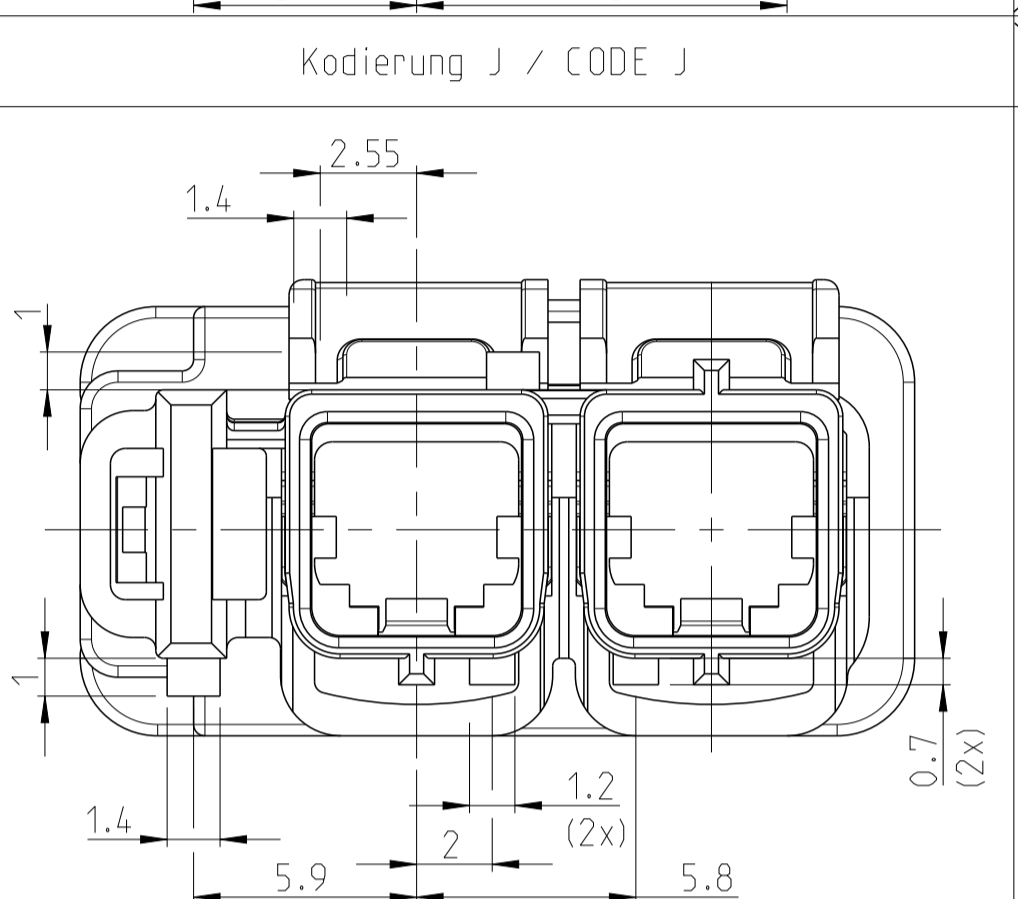
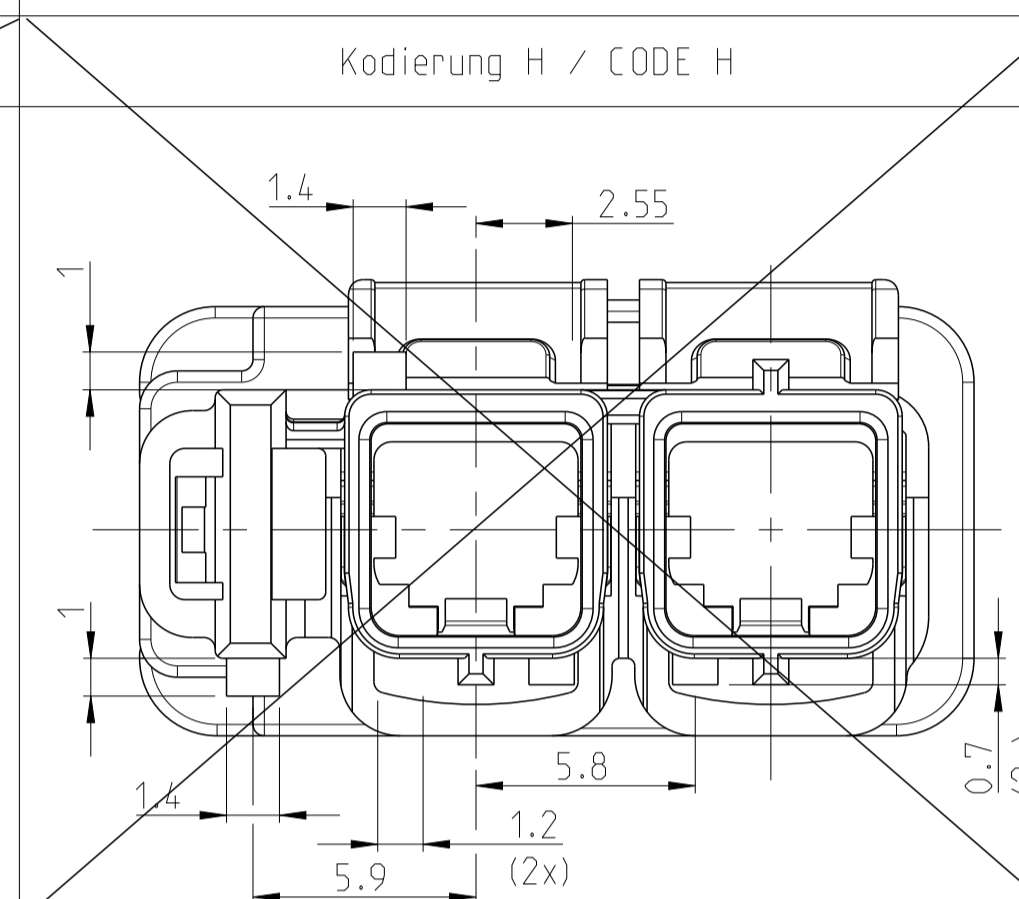
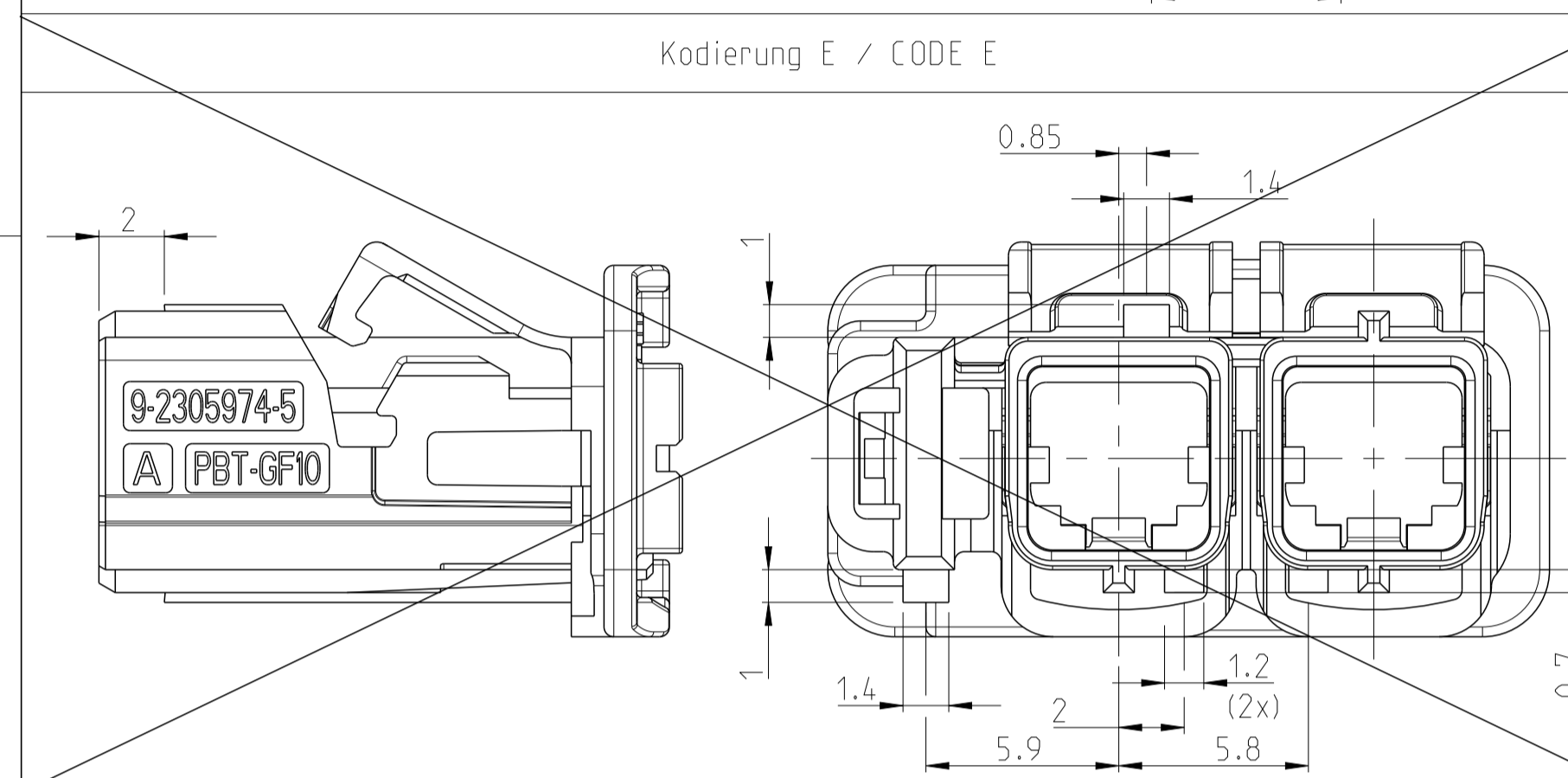
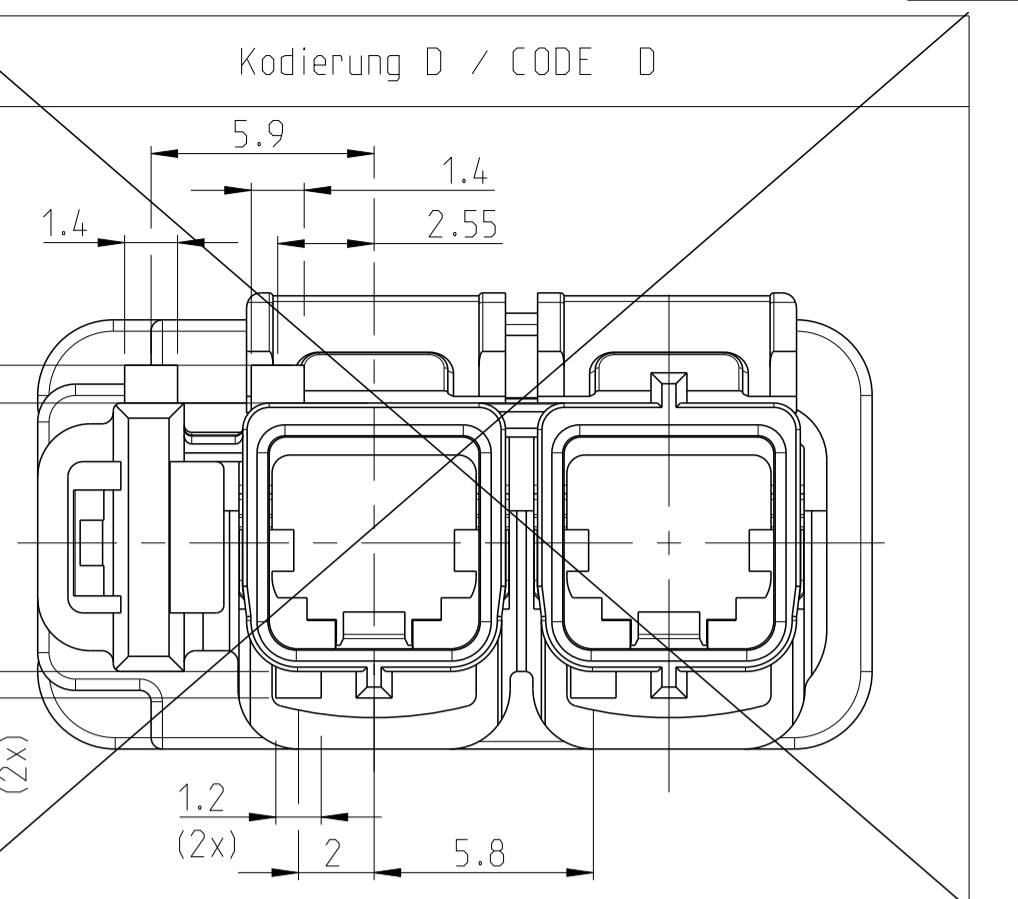
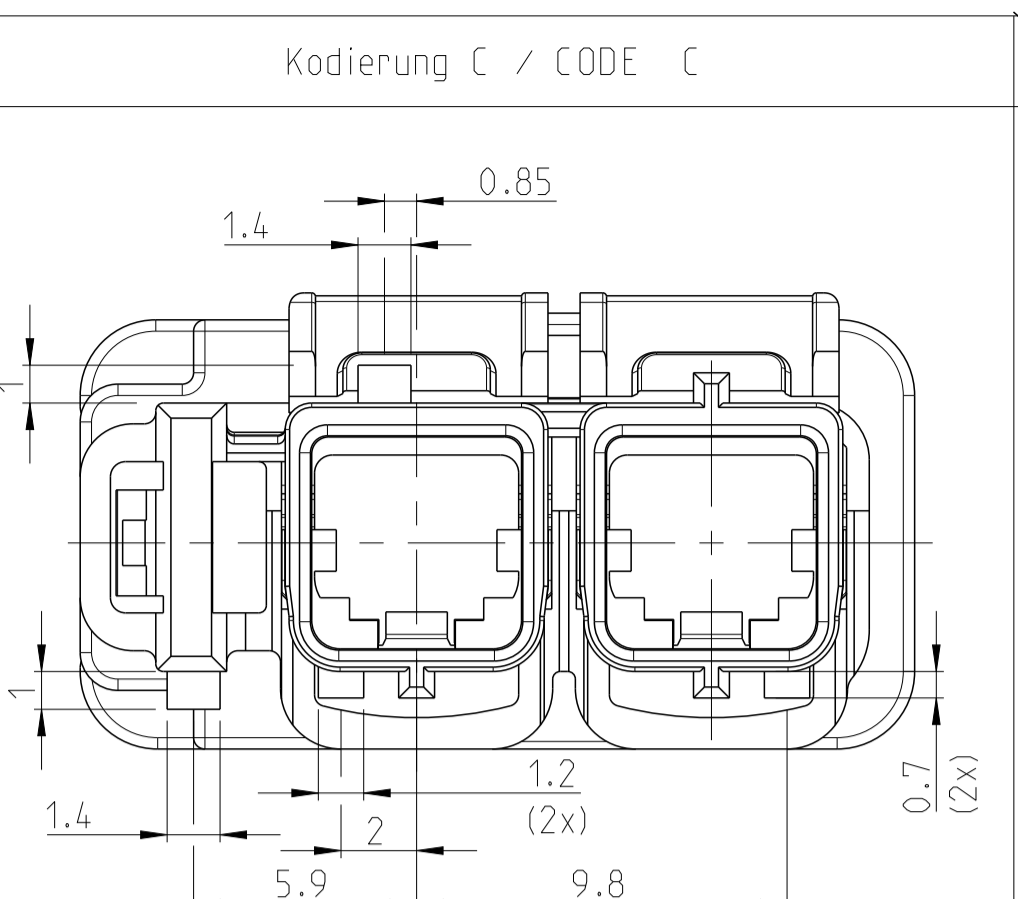
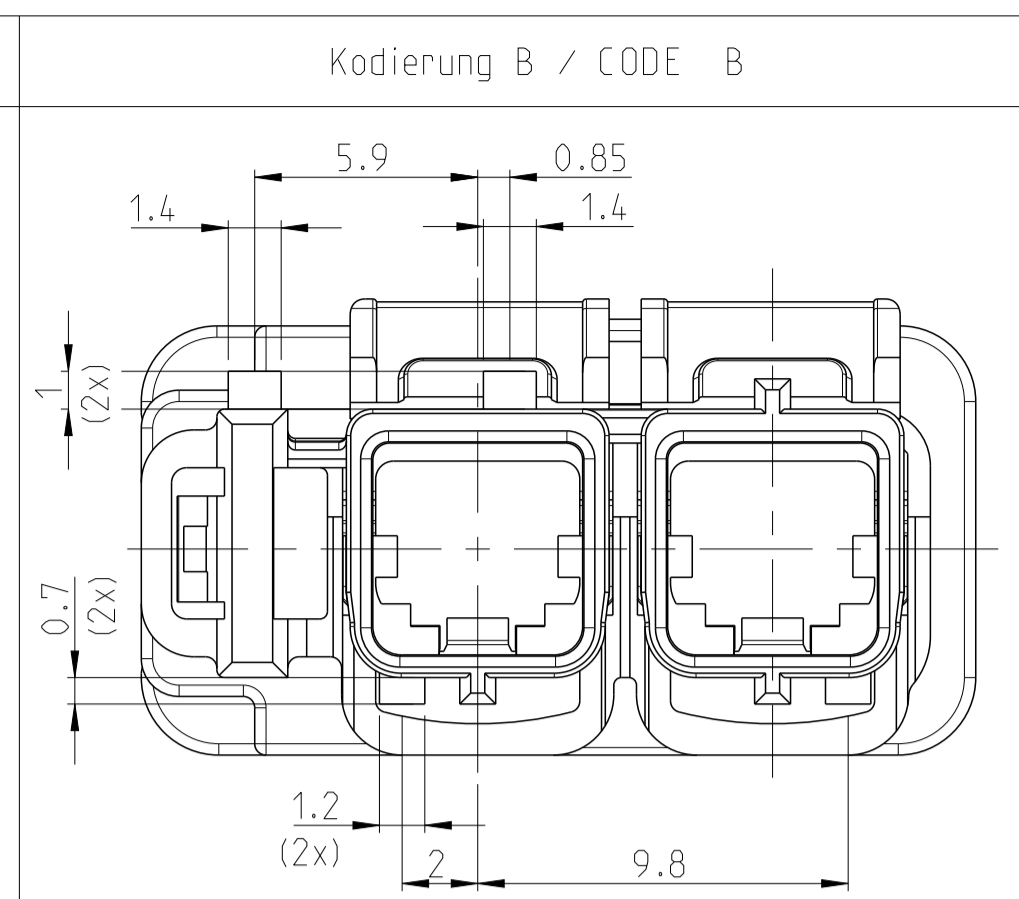
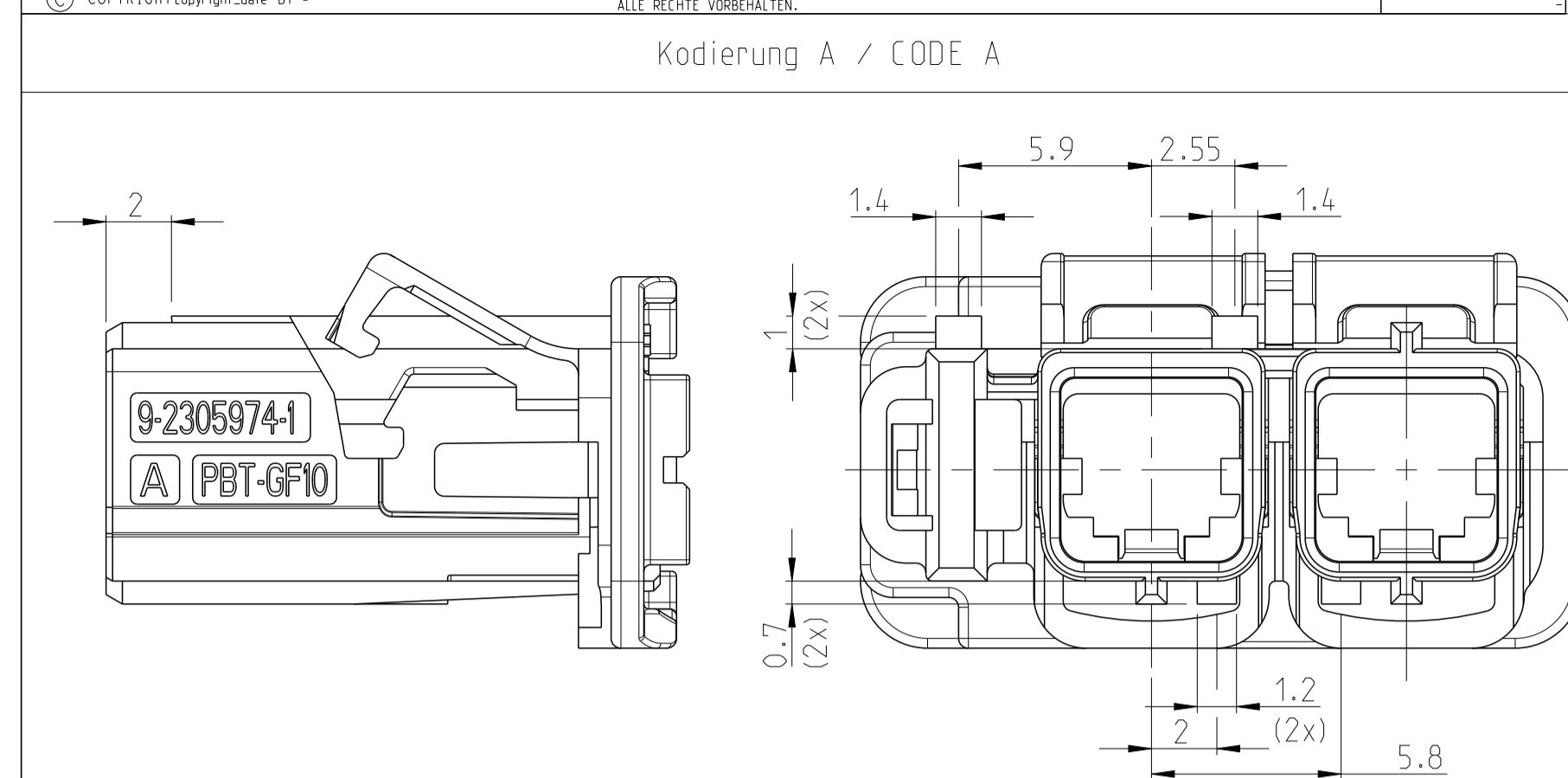
MATERIAL: SEE TABLE
 WEIGHT GEWICHT: see table
 CUSTOMER DRAWING: /KUNDENZEICHNUNG

NAME: Dual-Port MATenet Frame
 DUAL-PORT MATenet FRAME

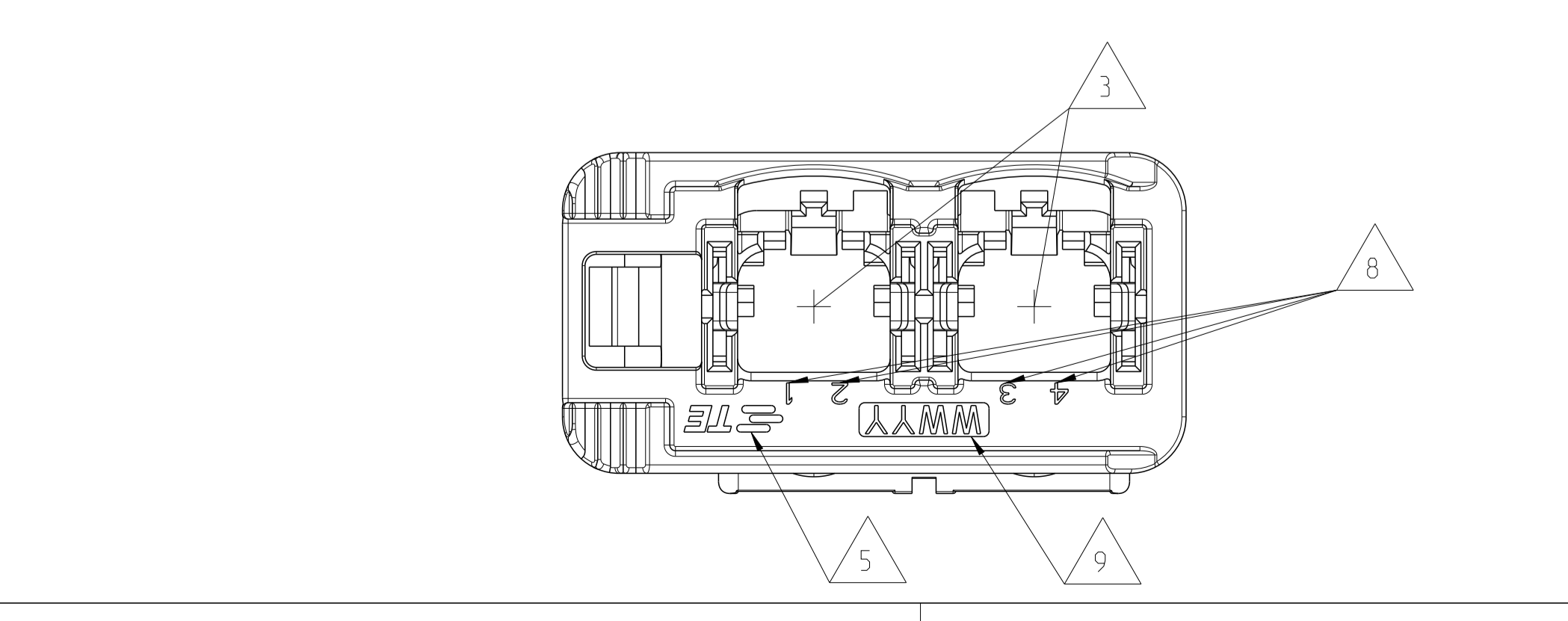
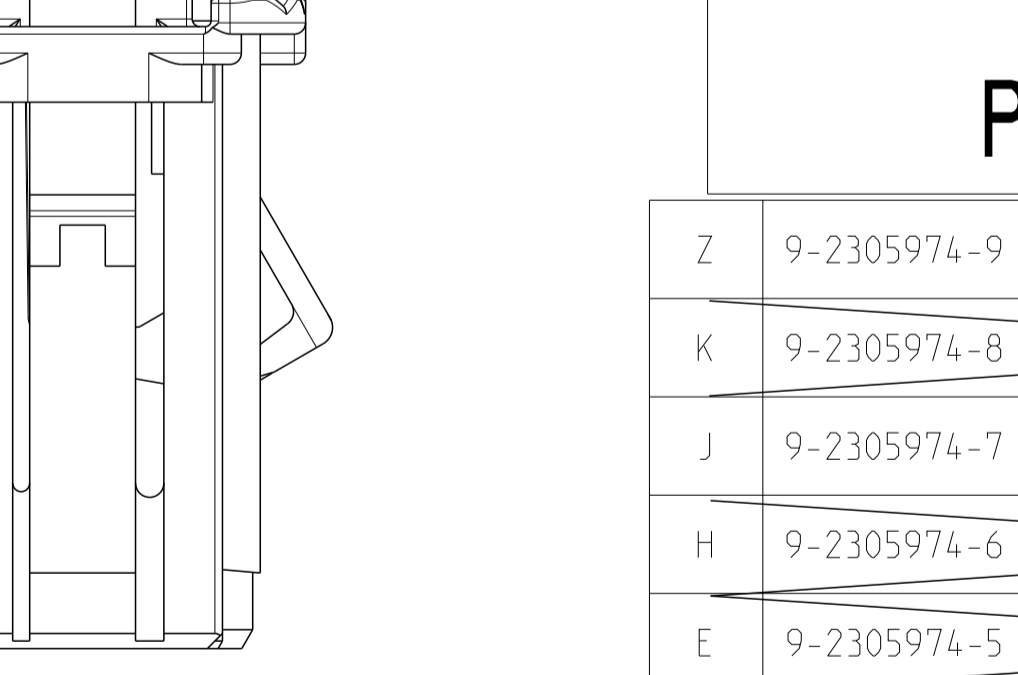
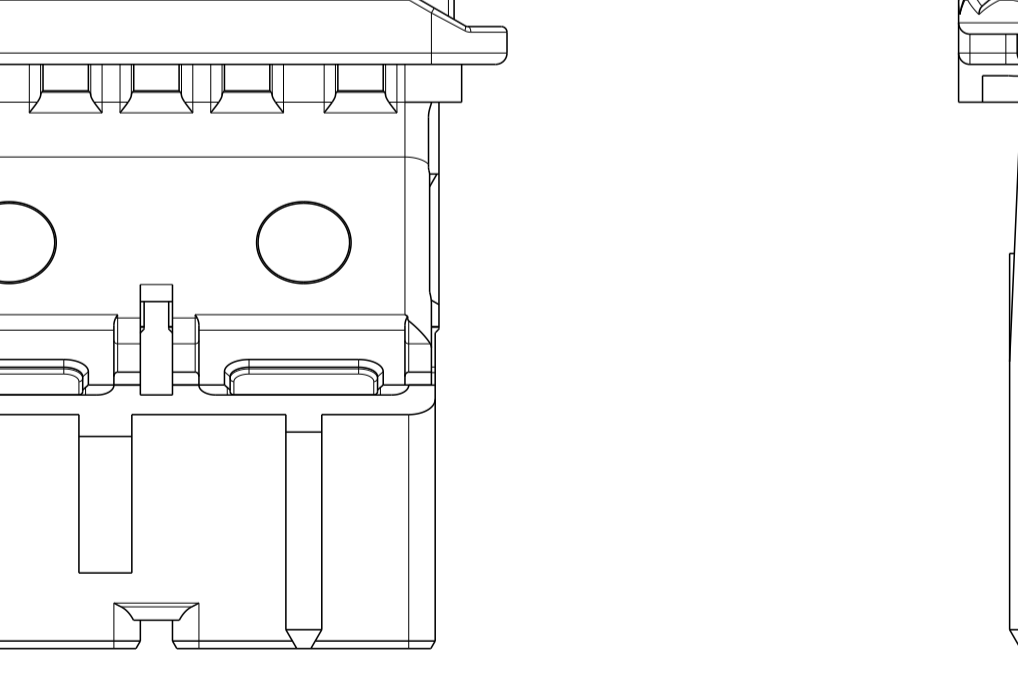
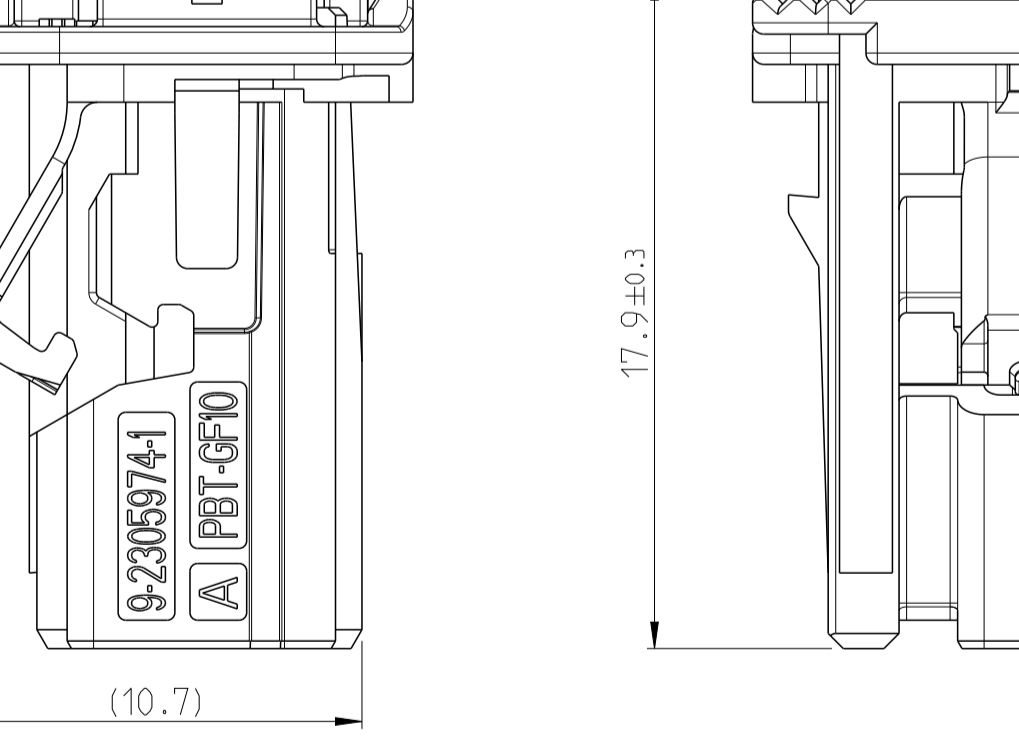
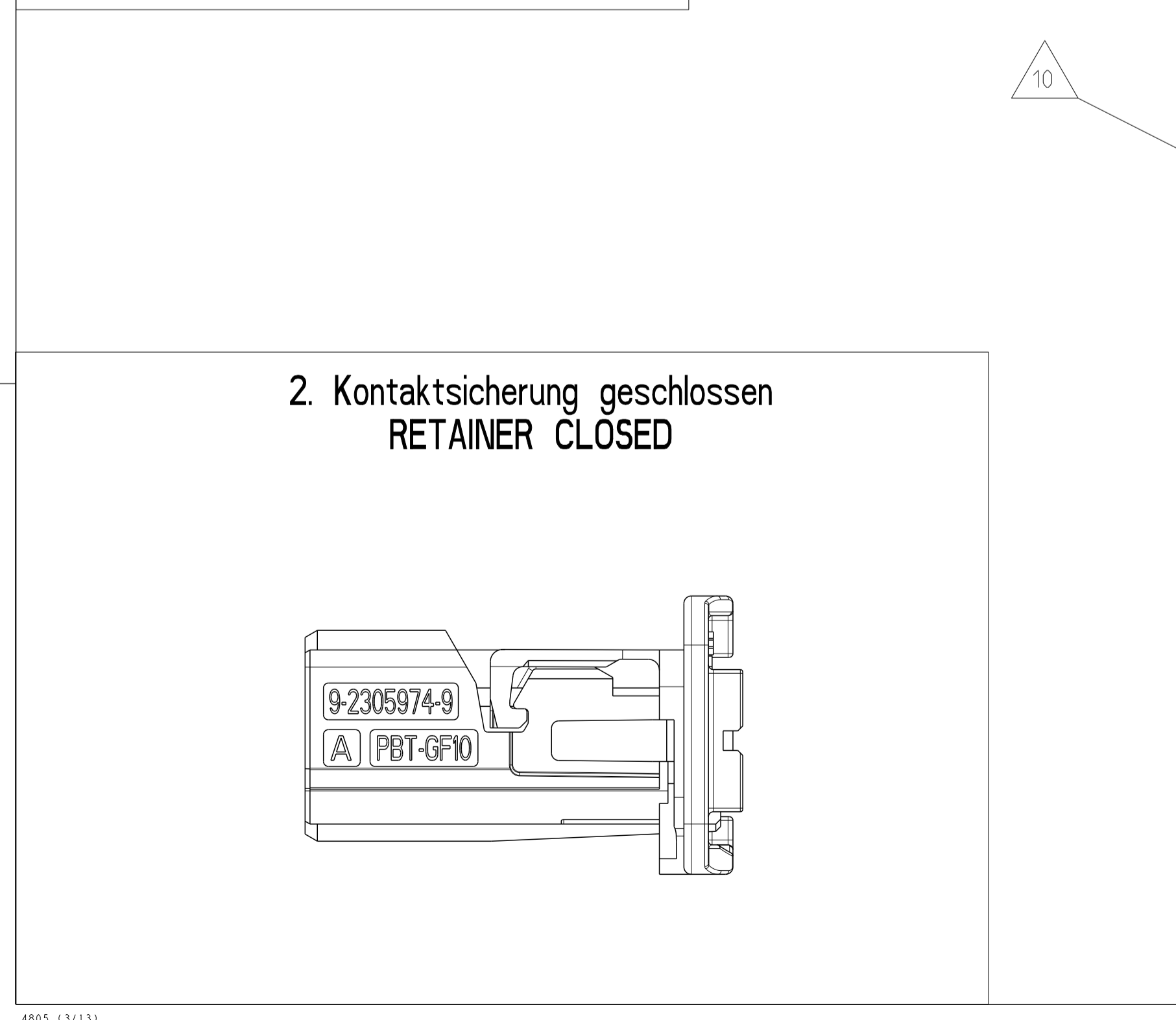
SIZE: A1
 CAGE CODE: 00779
 DRAWING NO.: 0-2305974

RESTRICTED TO NUR FÜR: -

SCALE: 5:1
 SHEET: 1 OF 2
 REV: A1



- Notizen / NOTES
- 9-2305974-1 Kodierung A wie dargestellt
9-2305974-1 CODING A AS SHOWN
 - Passend zu Stiftwanne nach
TE-Schnittstellenzeichnung 208-18012
MATING TO PINHEADER ACC.
TE-INTERFACE DRAWING 208-18012
 - Kammer fuer MATenet 2Pos. NanoMQS female Insert module
TE PN 9-2302450-X
CAVITY FOR MATenet 2Pos. NanoMQS FEMALE INSERT MODULE
TE PN 9-2302450-X
 - Materialkennzeichnung
MATERIAL MARKING
 - TE-Logo
TE-LOGO
 - TE-Teile Nummer
TE-Part Number
 - Revisionsstand
PART REVISION
 - Kontaktkammernummer
CONTACT CAVITY NUMBER
 - Produktionsdatum
PRODUCTION DATE
 - Anlieferzustand: 2. Kontaktsicherung geöffnet
DELIVERY CONDITION: RETAINER IN OPEN POSITION
 - Verpackung: Schuetttgut im Beutel im Karton
PACKAGING: LOOSE PIECES IN BAG IN BOX



B-MUSTER PROTOTYPE B-SAMPLE

CODE	PART No.	REV.	DESCRIPTION	MATERIAL	WEIGHT [g]	COLOUR similar RAL
Z	9-2305974-9	A	Dual-Port MATenet Frame, Code Z	PBT-GF10 0% Fibrind	1.3	water-blue 5021
K	9-2305974-8	A	Dual-Port MATenet Frame, Code K	PBT-GF10 0% Fibrind	1.3	curry yellow 1027
J	9-2305974-7	A	Dual-Port MATenet Frame, Code J	PBT-GF10 0% Fibrind	1.3	beige 1001
H	9-2305974-6	A	Dual-Port MATenet Frame, Code H	PBT-GF10 0% Fibrind	1.3	heather violet 4003
E	9-2305974-5	A	Dual-Port MATenet Frame, Code E	PBT-GF10 0% Fibrind	1.3	green 6018
D	9-2305974-4	A	Dual-Port MATenet Frame, Code D	PBT-GF10 0% Fibrind	1.3	claret violet 4004
C	9-2305974-3	A	Dual-Port MATenet Frame, Code C	PBT-GF10 0% Fibrind	1.3	blue 5012
B	9-2305974-2	A	Dual-Port MATenet Frame, Code B	PBT-GF10 0% Fibrind	1.3	white 9010
A	9-2305974-1	A	Dual-Port MATenet Frame, Code A	PBT-GF10 0% Fibrind	1.3	black 9011

THIS DRAWING IS A CONTROLLED DOCUMENT. DIMENSIONING AND TOLERANCING PER GPS (ISO STANDARDS). DIMENSIONS: MASSENHEITEN: mm. TOLERANCES UNLESS OTHERWISE SPECIFIED: ALLE DIMENSIONEN: 0 PLC ±0.1, 1 PLC ±0.1, 2 PLC ±0.1, 3 PLC ±0.1, 4 PLC ±0.1, 5 PLC ±0.1, 6 PLC ±0.1, 7 PLC ±0.1, 8 PLC ±0.1, 9 PLC ±0.1, 10 PLC ±0.1. FINISHES/FLÄCHENFÄRBE: SEE TABLE. DATE: 23 AUG 2016. DRAWING NO: 114-914.31. CUSTOMER DRAWING: /KUNDENZEICHNUNG. SCALE: 1:1. SHEET: 2 OF 2. REV: A1.

TE Connectivity

Dual-Port MATenet Frame
DUAL-PORT MATenet FRAME

SIZE: A1 CAGE CODE: 00779 DRAWING NO: 114-914.31