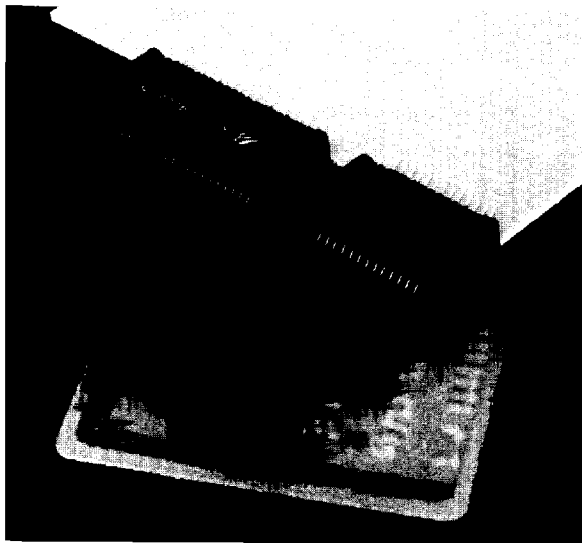


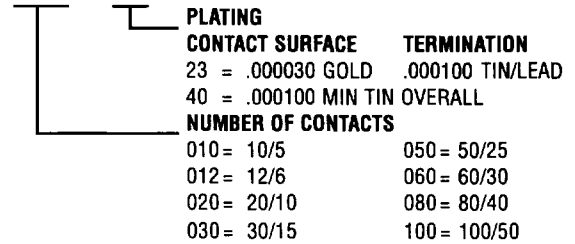
# .050" (1.27mm) Series 245 Ultra Thin Edge Mount Card Edge Connector



Methode's high density microminiature .050" center edge mount card edge connectors are .488" x .281" wide. This standard, dual readout series permits real estate reduction when thin spacing is required.

## PART NUMBER CODING

### 245-21-XXXCE-XX



## Specifications

### Materials

**Contact Material:** Copper Alloy

**Contact Plating:** Gold over nickel

**Insulator Material:** High Temperature Thermoplastic, UL 94V-0

**Operating Temperature:** -55°C to +85°C

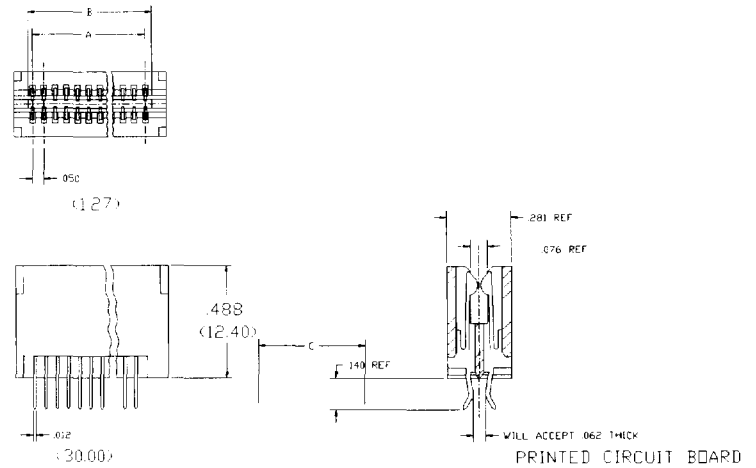
### Mechanical Performance

**Durability:** 5000 cycles of engagement/disengagement

**Vibration:** Per MIL-STD-1344, method 2005

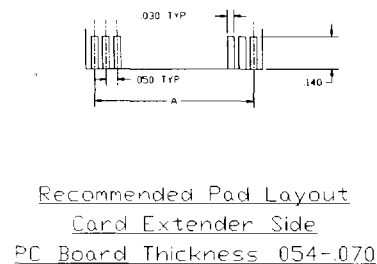
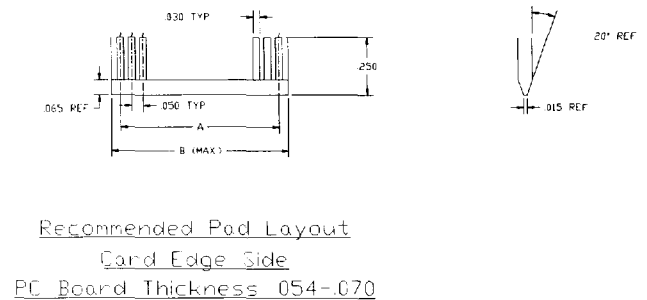
**Shock:** Per MIL-STD-1344, method 2004

**Normal Force:** 130 grams, average per contact pair



Part Number	Number of Contacts	A	B	C
245-21-010CE-XX	10	.200 (5.08)	.300 (7.62)	.425 (10.80)
245-21-012CE-XX	12	.250 (6.35)	.350 (8.89)	.475 (12.07)
245-21-020CE-XX	20	.450 (11.43)	.550 (13.97)	.675 (17.15)
245-21-030CE-XX	30	.700 (17.78)	.800 (20.32)	.925 (23.50)
245-21-040CE-XX	40	.950 (24.13)	1.050 (26.67)	1.175 (29.85)
245-21-050CE-XX	50	1.200 (30.48)	1.300 (33.02)	1.425 (36.20)
245-21-060CE-XX	60	1.450 (36.83)	1.550 (39.37)	1.675 (42.55)
245-21-080CE-XX	80	1.950 (49.53)	2.050 (52.07)	2.175 (55.25)
245-21-100CE-XX	100	2.450 (62.23)	2.550 (61.77)	2.675 (67.95)

ALL DIMENSIONS ARE IN INCHES  
DIMENSIONS IN ( ) ARE IN MILLIMETERS



## Connector Division

U.S.A. 800/323-6858 • Fax: 708/867-0435

Europe 441-389-732123 • Fax: 441-389-732777

Asia 65-869-0883 • Fax: 65-861-4777