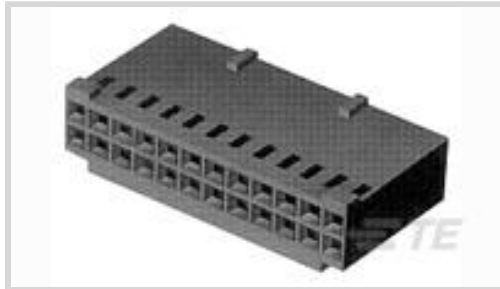




Connectors > PCB Connectors > Wire-to-Board Connectors > Wire-to-Board Connector Assemblies & Housings



Connector Product Type: **Housing**

Connector & Housing Type: **Receptacle**

Connector System: **Wire-to-Board**

Number of Positions: **16**

Centerline (Pitch): **2.54 mm [.1 in]**

### Features

#### Product Type Features

Connector Product Type	Housing
Connector & Housing Type	Receptacle
Connector System	Wire-to-Board
Connector & Contact Terminates To	Wire & Cable

#### Configuration Features

Number of Positions	16
Number of Rows	2

#### Contact Features

Contact Layout	Inline
Contact Type	Socket
Contact Current Rating (Max)	3 A

#### Termination Features

Termination Method to Wire & Cable	Crimp
------------------------------------	-------

#### Mechanical Attachment

Panel Mount Feature	Without
PCB Mount Retention	With
Mating Retention Type	Detent Latching
Mating Retention	With



Connector Mounting Type	Cable Mount (Free-Hanging)
-------------------------	----------------------------

### Housing Features

Housing Entry Configuration	Both Ends Closed
Housing Material	LCP (Liquid Crystal Polymer)
Centerline (Pitch)	2.54 mm [.1 in]
Housing Color	Black

### Dimensions

Connector Length	7.1 mm
Connector Height	3.1 mm [.12 in]
Row-to-Row Spacing	2.54 mm [.1 in]

### Usage Conditions

Operating Temperature Range	-40 – 80 °C [-40 – 176 °F]
-----------------------------	----------------------------

### Operation/Application

Circuit Application	Signal
---------------------	--------

### Industry Standards

Glow Wire Rating	Standard Part - Not Glow Wire
UL Flammability Rating	UL 94V-0

### Packaging Features

Packaging Quantity	1000
Packaging Method	Bag

### Product Compliance

[For compliance documentation, visit the product page on TE.com>](#)

EU RoHS Directive 2011/65/EU	Compliant
EU ELV Directive 2000/53/EC	Compliant
China RoHS 2 Directive MIIT Order No 32, 2016	No Restricted Materials Above Threshold
EU REACH Regulation (EC) No. 1907/2006	Current ECHA Candidate List: JUNE 2022 (224) Candidate List Declared Against: JAN 2022 (223) SVHC > Threshold: Not Yet Reviewed
Halogen Content	Low Halogen - Br, Cl, F, I < 900 ppm per homogenous material. Also BFR/CFR/PVC



Free


Solder Process Capability

Not applicable for solder process capability


Product Compliance Disclaimer

This information is provided based on reasonable inquiry of our suppliers and represents our current actual knowledge based on the information they provided. This information is subject to change. The part numbers that TE has identified as EU RoHS compliant have a maximum concentration of 0.1% by weight in homogenous materials for lead, hexavalent chromium, mercury, PBB, PBDE, DBP, BBP, DEHP, DIBP, and 0.01% for cadmium, or qualify for an exemption to these limits as defined in the Annexes of Directive 2011/65/EU (RoHS2). Finished electrical and electronic equipment products will be CE marked as required by Directive 2011/65/EU. Components may not be CE marked. Additionally, the part numbers that TE has identified as EU ELV compliant have a maximum concentration of 0.1% by weight in homogenous materials for lead, hexavalent chromium, and mercury, and 0.01% for cadmium, or qualify for an exemption to these limits as defined in the Annexes of Directive 2000/53/EC (ELV). Regarding the REACH Regulation, the information TE provides on SVHC in articles for this part number is based on the latest European Chemicals Agency (ECHA) 'Guidance on requirements for substances in articles' posted at this URL: <https://echa.europa.eu/guidance-documents/guidance-on-reach>

### Compatible Parts



TE Part # 280390-1  
2X8P MODU II SHRD HDR, RT ANG, TIN



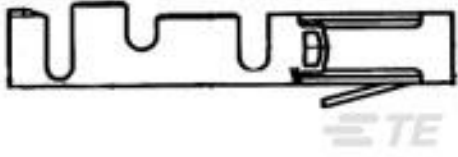
TE Part # 87077-2  
MOD IV KEYING PLUG



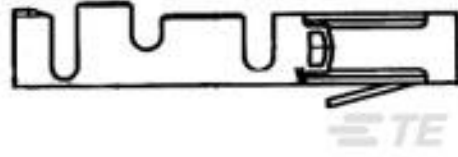
TE Part # 280390-2  
2X8P MODU II SHRD HDR, RT ANG, 0.38AU



TE Part # 280385-2  
2X8P AMPMODU II SHRD HDR, ST, 0.38 AU



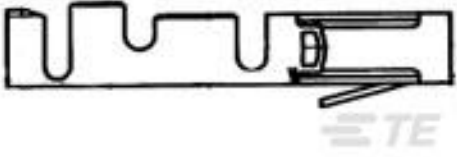
TE Part # 181270-1  
AMP-MODU CONTACT



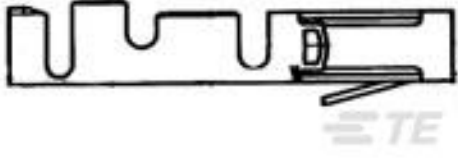
TE Part # 181270-2  
MOD II CONTACT L.P.



TE Part # 181270-3  
MOD 2 BUCHSE



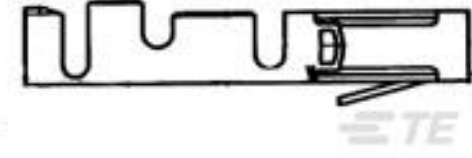
TE Part # 280530-4  
MOD2 BUCHSE



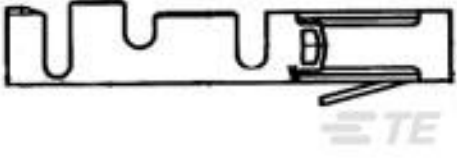
TE Part # 280530-2  
AMP MODU MOD 2 CONT



TE Part # 281556-2  
20AWG MOD 2 CRIMP TIN PLATE



TE Part # 280530-1  
MOD II COSI RECP CONT STR PH-B



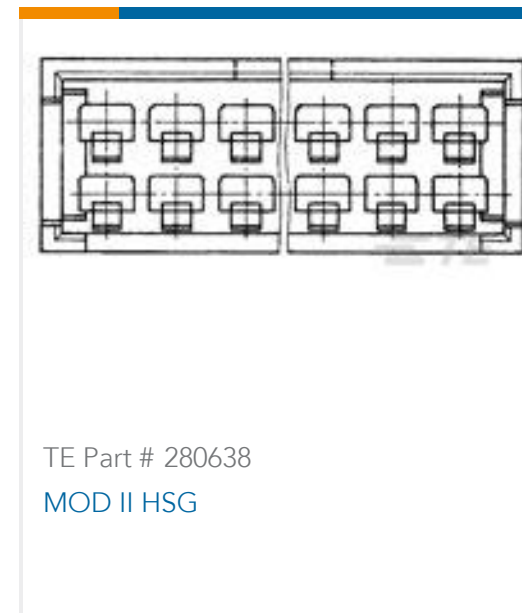
TE Part # 280708-2  
MOD 2 CONTACT



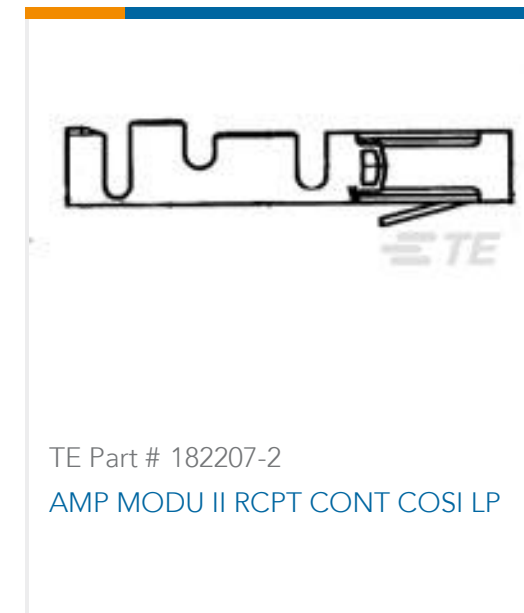
TE Part # 280385-1  
2X8P AMPMODU II SHRD HDR, ST, TIN



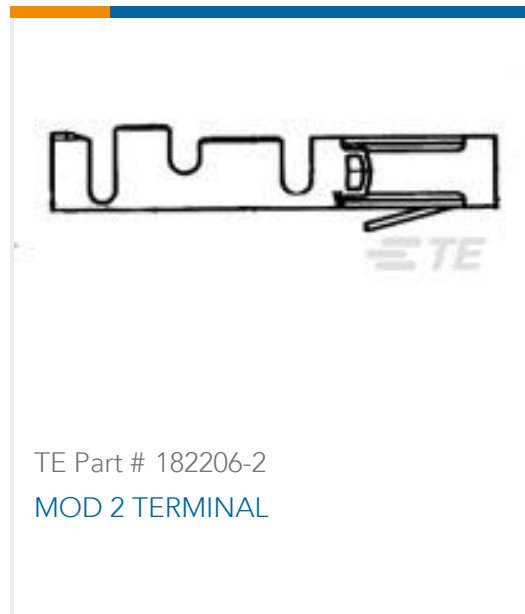
TE Part # 280530-3  
MOD II COSI RECP CONT STR PRE



TE Part # 280638  
MOD II HSG



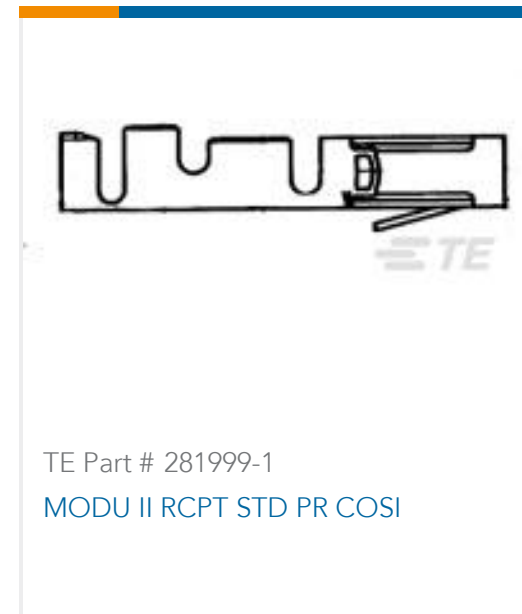
TE Part # 182207-2  
AMP MODU II RCPT CONT COSI LP



TE Part # 182206-2  
MOD 2 TERMINAL



TE Part # 181271-2  
MOD 2 CONTACT REC.



TE Part # 281999-1  
MODU II RCPT STD PR COSI

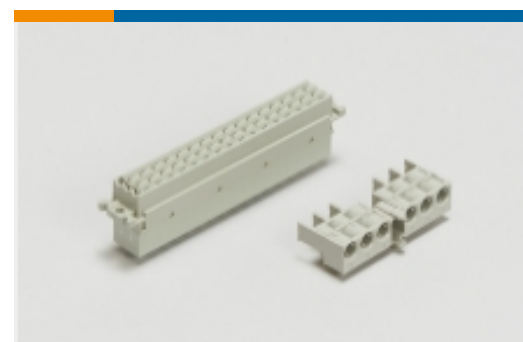


TE Part # 280385-3  
2X8P AMPMODU II SHRD HDR,ST,0.76 AU

Also in the Series | AMPMODU IV/V



Automotive Housings(2)



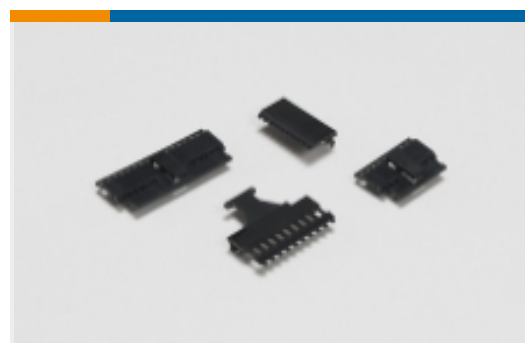
Backplane Connector Housings(1)



Board-to-Board Connector Contacts(6)



Insertion & Extraction Tools(4)



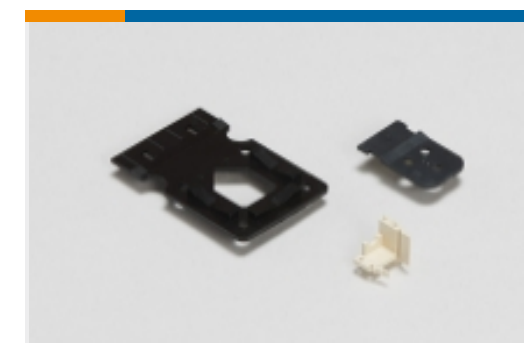
PCB Connector Covers(18)



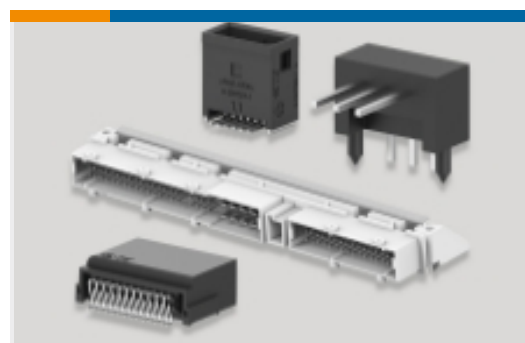
PCB Connector Keying(6)



PCB Connector Mounting(1)



PCB Connector Strain Relief(3)



PCB Headers & Receptacles(939)



PCB Latches, Locks & Retainers(9)



Rectangular Connector Housings(5)



Standard Rectangular Connectors(8)



Wire-to-Board Connector Assemblies  
& Housings(467)

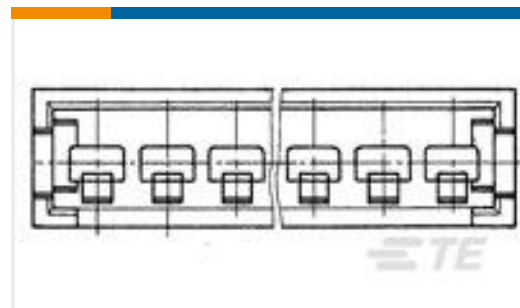


Wire-to-Board Connector Contacts  
(326)

## Customers Also Bought



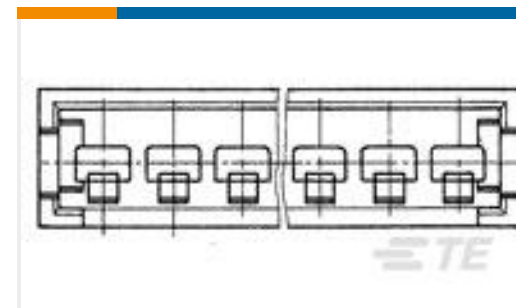
TE Part #280513  
AMPMODU II REC. HSG, DUAL ROW,  
18 POS



TE Part #280629  
AMPMODU II COSI PIN HSG, SGL  
ROW, 4 POS.



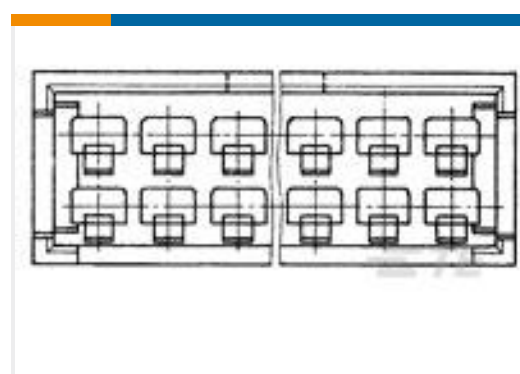
TE Part #280359  
AMPMODU II REC. HSG, SINGLE  
ROW, 4 POS.



TE Part #280628  
AMPMODU II COSI PIN HSG, SGL  
ROW, 2 POS.



TE Part #T2030012040-000  
DEF-4.0



TE Part #280637  
4POS DBL PIN HSG



TE Part #5413589-9  
KIT, PLUG, COML BNC, HEX CRP

## Documents

### Product Drawings

[AMPMODU II REC. HSG DUAL ROW, 16 POS.](#)

English

[AMPMODU II REC. HSG DUAL ROW, 16 POS.](#)

English

### CAD Files

[3D PDF](#)

[3D](#)

[Customer View Model](#)

[ENG\\_CVM\\_CVM\\_280366\\_AA.2d\\_dxf.zip](#)

English

[Customer View Model](#)

[ENG\\_CVM\\_CVM\\_280366\\_AA.3d\\_igs.zip](#)

English

[Customer View Model](#)

[ENG\\_CVM\\_CVM\\_280366\\_AA.3d\\_stp.zip](#)

280366

Housing, Receptacle, Wire-to-Board, 16 Position, 2.54 mm [.1 in] Centerline, Crimp, 2 Row, Black, Mating Retention, Wire & Cable, Signal, AMPMODU IV/V



English

By downloading the CAD file I accept and agree to the [Terms and Conditions](#) of use.

### Product Environmental Compliance

[MD\\_280366\\_06222016857\\_dmtec](#)

English

[MD\\_280366\\_06222016857\\_dmtec](#)

English