

2834012-3 ✓ ACTIVE

**Buchanan WireMate**

TE Internal #: 2834012-3

Poke-In Connectors, Wire-to-Board, Printed Circuit Board, Height .

122 in [3.1 mm], Surface Mount, 16 – 20 AWG Wire Size

[View on TE.com >](#)



Connectors > Lighting Connectors > Poke-In Connectors



Connector System: **Wire-to-Board**

Sealable: **No**

Connector & Contact Terminates To: **Printed Circuit Board**

Connector Height: **3.1 mm [ .122 in ]**

Termination Method to Printed Circuit Board: **Surface Mount**

### Features

#### Product Type Features

Product Type	Connector
Connector Type	Connector Assembly
Glow Wire Rating	Standard Part - Not Glow Wire
Connector Style	Receptacle
Product Line	Poke-In
Connector System	Wire-to-Board
Sealable	No
Connector & Contact Terminates To	Printed Circuit Board

#### Electrical Characteristics

Operating Voltage	300 VAC
-------------------	---------

#### Contact Features

Contact Termination Area Plating Finish	Matte
Contact Termination Area Plating Material	Tin-Lead over Nickel

#### Termination Features



Tool-less Wire Termination	Yes
----------------------------	-----

Termination Method to Printed Circuit Board	Surface Mount
---	---------------

### Housing Features

Housing Color	Natural
---------------	---------

### Dimensions

Accepts Wire Insulation Diameter Range	2.1 mm
--	--------

Connector Height	3.1 mm [.122 in]
------------------	------------------

Wire Size	16 – 20 AWG
-----------	-------------

### Operation/Application

SMT Compatible	Yes
----------------	-----

### Industry Standards

Agency/Standard	UL
-----------------	----

Agency/Standard Number	UL 1977
------------------------	---------

UL Flammability Rating	UL 94V-0
------------------------	----------

UL File Number	E28476
----------------	--------

### Packaging Features

Packaging Method	Tape & Reel
------------------	-------------

## Product Compliance

[For compliance documentation, visit the product page on TE.com>](#)

EU RoHS Directive 2011/65/EU	Compliant
------------------------------	-----------

EU ELV Directive 2000/53/EC	Compliant
-----------------------------	-----------

China RoHS 2 Directive MIIT Order No 32, 2016	No Restricted Materials Above Threshold
---	---

EU REACH Regulation (EC) No. 1907/2006	Current ECHA Candidate List: JUNE 2022 (224) Candidate List Declared Against: JAN 2022 (223) SVHC > Threshold: Not Yet Reviewed
--	--

Halogen Content	Low Halogen - Br, Cl, F, I < 900 ppm per homogenous material. Also BFR/CFR/PVC Free
-----------------	---

Solder Process Capability	Reflow solder capable to 245°C
---------------------------	--------------------------------

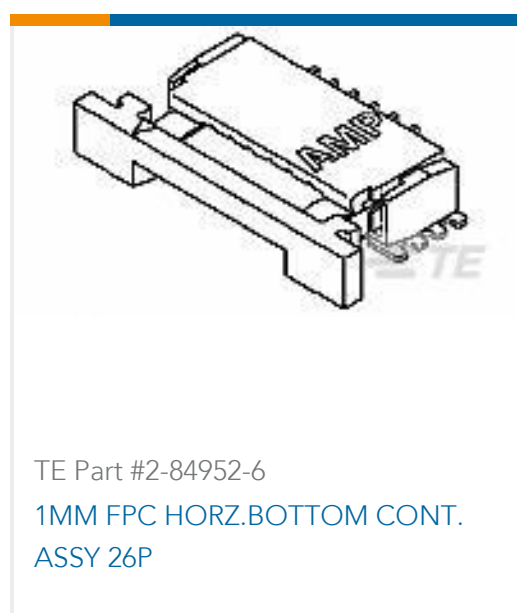
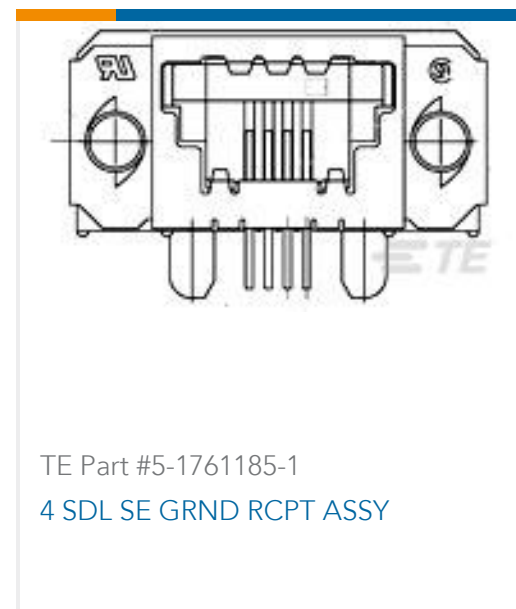
Product Compliance Disclaimer

This information is provided based on reasonable inquiry of our suppliers and represents our current actual knowledge based on the information they provided. This information is subject to change. The part numbers that TE has identified as EU RoHS compliant have a maximum concentration of 0.1% by weight in homogenous materials for lead, hexavalent chromium, mercury, PBB, PBDE, DBP, BBP, DEHP, DIBP, and 0.01% for cadmium, or qualify for an exemption to these limits as defined in the Annexes of Directive 2011/65/EU (RoHS2). Finished electrical and electronic equipment products will be CE marked as required by Directive 2011/65/EU. Components may not be CE marked. Additionally, the part numbers that TE has identified as EU ELV compliant have a maximum concentration of 0.1% by weight in homogenous materials for lead, hexavalent chromium, and mercury, and 0.01% for cadmium, or qualify for an exemption to these limits as defined in the Annexes of Directive 2000/53/EC (ELV). Regarding the REACH Regulation, the information TE provides on SVHC in articles for this part number is based on the latest European Chemicals Agency (ECHA) 'Guidance on requirements for substances in articles' posted at this URL: <https://echa.europa.eu/guidance-documents/guidance-on-reach>

## Compatible Parts



## Customers Also Bought



## Documents

### Product Drawings

SLIM CONTACT FOR WIRE 16-20AWG

English

### CAD Files

3D PDF



3D

**Customer View Model**

[ENG\\_CVM\\_CVM\\_2834012-3\\_A.2d\\_dxf.zip](#)

English

**Customer View Model**

[ENG\\_CVM\\_CVM\\_2834012-3\\_A.3d\\_igs.zip](#)

English

**Customer View Model**

[ENG\\_CVM\\_CVM\\_2834012-3\\_A.3d\\_stp.zip](#)

English

By downloading the CAD file I accept and agree to the [Terms and Conditions](#) of use.

---

**Datasheets & Catalog Pages**

[Slim Wire-to-Board flyer](#)

English

[Slim Wire-to-Board flyer](#)

English

[BUCHANAN WireMate Connectors Brochure](#)

[BUCHANAN WireMate Connectors Brochure](#)

English

---

**Product Specifications**

[Application Specification](#)

English

---

**Product Environmental Compliance**

[MD\\_2834012-3\\_060720161114\\_dmtec](#)

English

[MD\\_2834012-3\\_060720161114\\_dmtec](#)

English

---

**Instruction Sheets**

[Instruction Sheet \(non U.S.\)](#)

English

---

**Agency Approvals**

[UL Report](#)

English