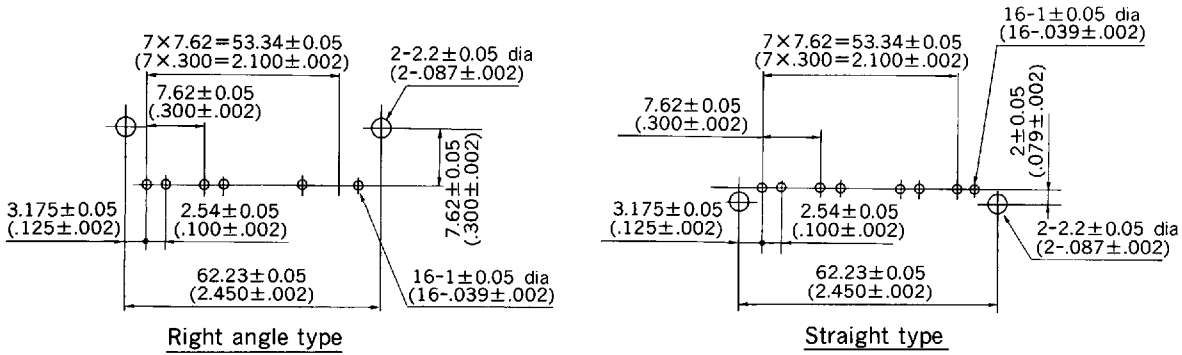
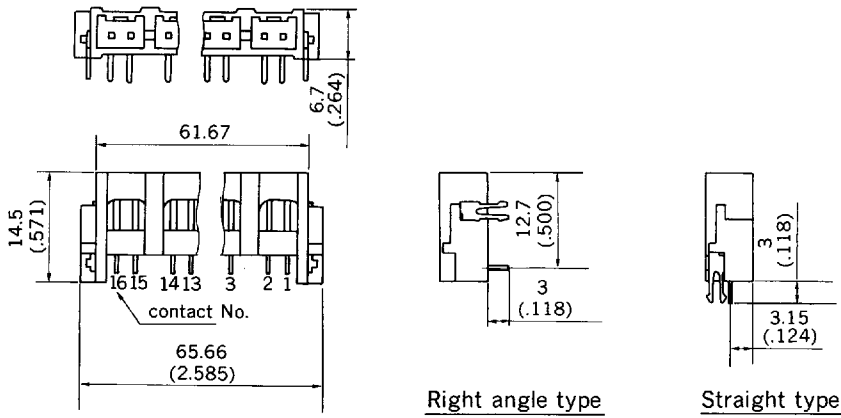


16-Position (2 × 8) Header



PCB mounting dimensions
Thickness 1.6 ± 0.19 ($.063 \pm .007$)

Ordering Information

232D-16P1A2-S15A

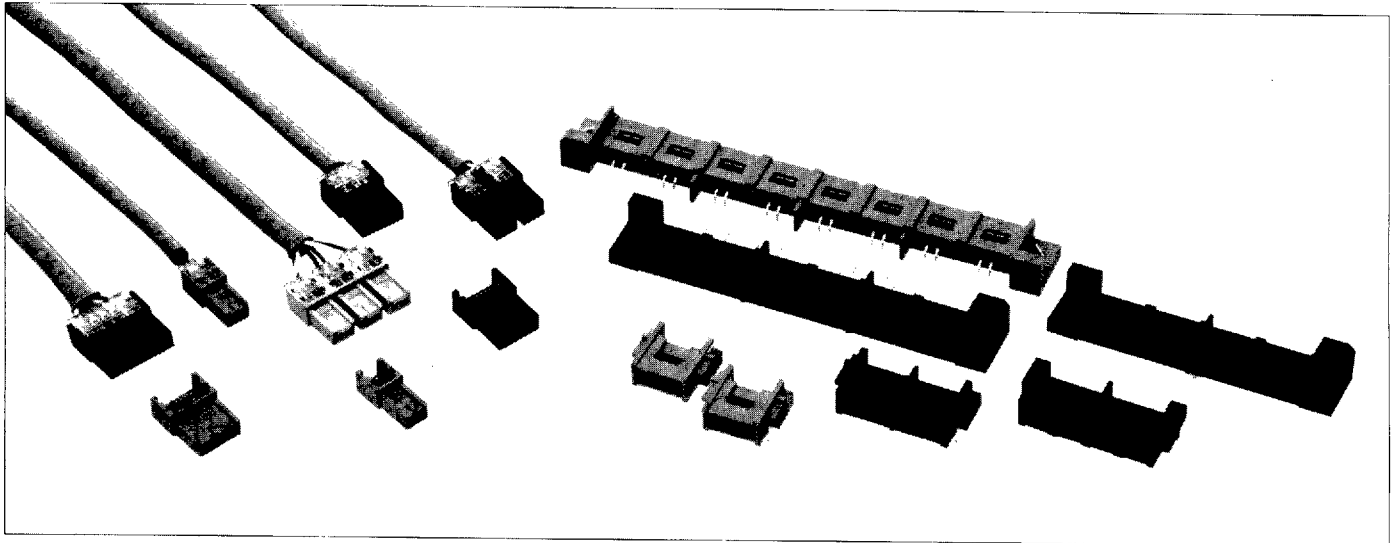
Snap-lock pin
A : With Lock pins
N : Less Lock pins

Tail style
S : Straight type
L : Right angle type

232D Series

Two-Piece Connector, 2.54mm(.100") center For PBX and Telecommunication Equipment

EE-232D-1B



Application

232D series connectors are designed to connect individual telephone lines and PBX (Private Branch Exchange), or PBX and Distribution Box. 232D series connectors are available in various sizes and styles to meet requirement of other electronic and electrical systems.

Features

- UL recognized (File No. E72124)
- Snap-lock pins secure pin headers to PCB for soldering
- Connector mating lock standard
- Wire crimping with pliers—no special crimp tools required for on-site wiring

Specification

Voltage Rating250V AC(r.m.s.)
 Current Rating.....2A/Contact
 Test Voltage.....750V AC(r.m.s.) at sea level
 Insulation Resistance.....100MΩ min. at 500V DC
 Contact Resistance.....30MΩ max. at 1A DC
 Applicable Wire.....

mm(inch)

	Conductor	Insulator
Solid Wire	0.4(.016)dia.	0.66(.026)dia.
	0.5(.020)dia.	0.8(.031)dia.
	0.65(.026)dia.	1.05(.041)dia.
	AWG#26	0.91(.036)dia.
Stranded Wire	AWG#26	1.0(.039)dia.
	AWG#24	1.1(.043)dia.

Material/Finish

Housing.....Polyamid resin(UL94V-0)
 Contact.....Copper alloy/Tin plating
 Cover.....Polycarbonate resin(UL94V-0)/Natural
 Lock pin.....Copper alloy/Tin plating

DDK SALES OFFICES

- | | | |
|---|---------------------|-------------------|
| ● DDK LTD. (TOKYO) | : Tel. 03-375-7407 | Fax. 03-370-9286 |
| ● DDK ELECTRONICS (CANADA), INC. | : Tel. 416-470-1346 | Fax. 416-470-1479 |
| ● DDK ELECTRONICS, INC. (USA) | | |
| CHICAGO | : Tel. 708-293-7335 | Fax. 708-293-7337 |
| SAN FRANCISCO | : Tel. 415-226-0400 | Fax. 415-226-0494 |
| LOS ANGELES | : Tel. 714-455-9874 | Fax. 714-455-0769 |
| RALEIGH | : Tel. 919-460-8577 | Fax. 919-460-9177 |
| DALLAS | : Tel. 214-480-8276 | Fax. 214-680-3410 |
| ● DDK ELECTRONICS (EUROPE), LTD. (LONDON) | : Tel. 0959-61224 | Fax. 0959-61034 |
| ● DDK THAILAND LTD. | : Tel. 02-529-1428 | Fax. 02-529-1427 |