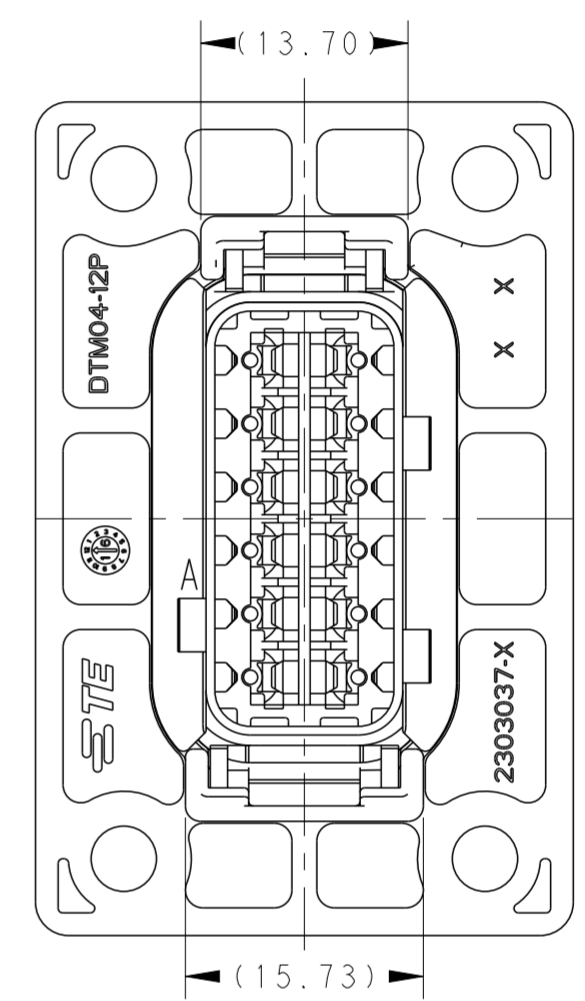
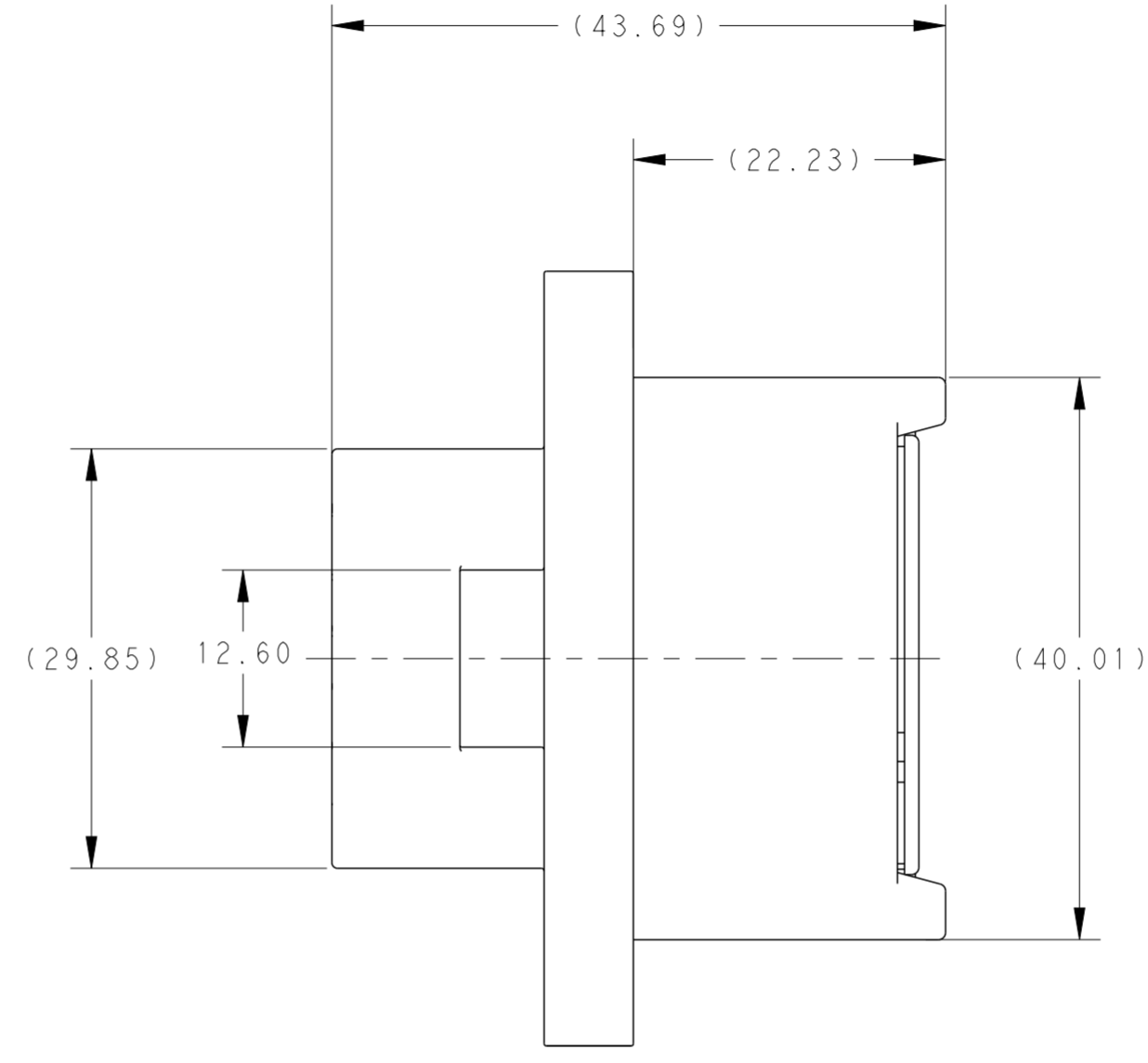
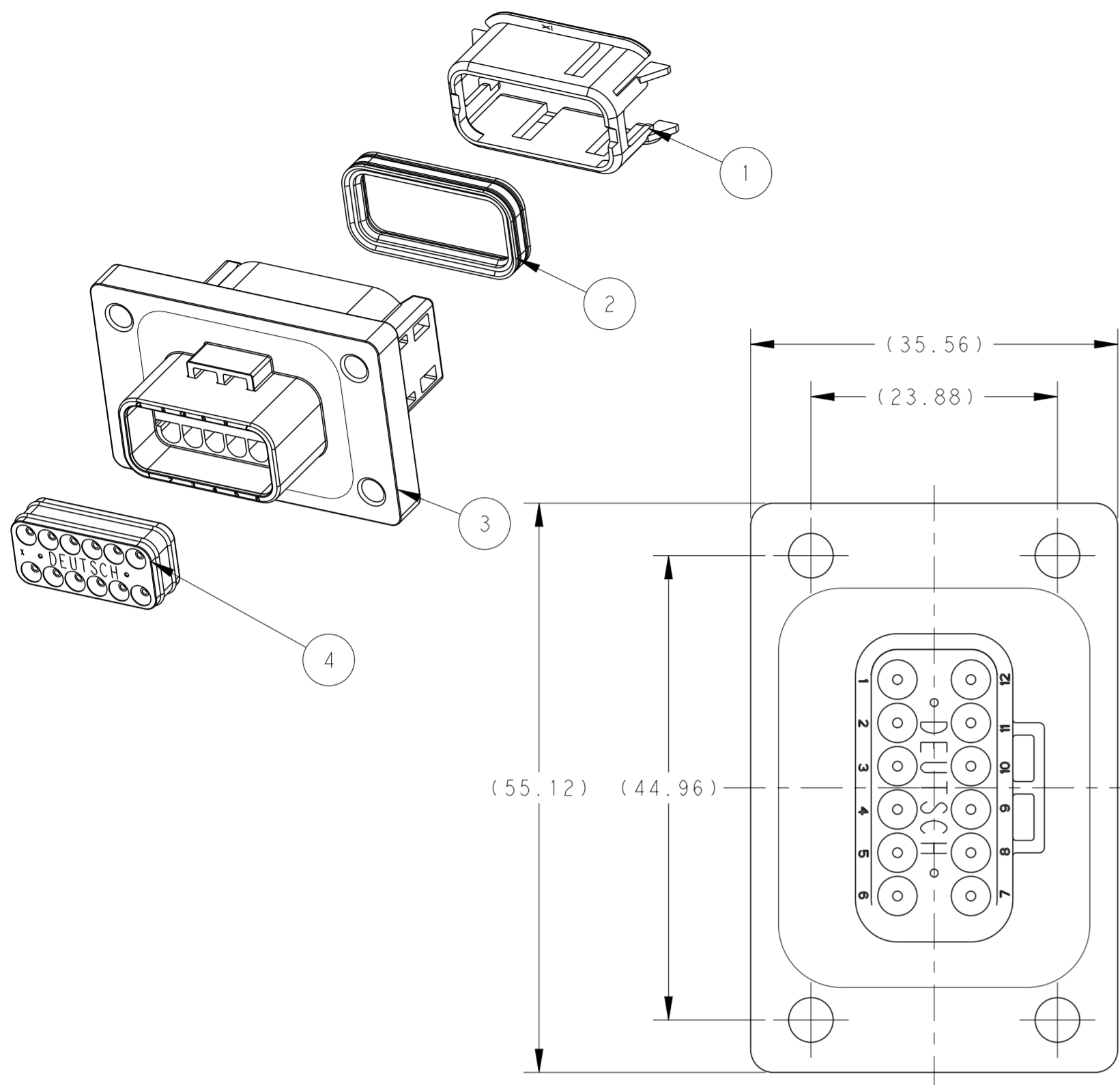


THIS DRAWING IS UNPUBLISHED. RELEASED FOR PUBLICATION
 © COPYRIGHT - BY TE CONNECTIVITY ALL RIGHTS RESERVED.

REVISIONS					
P	LTR	DESCRIPTION	DATE	DWN	APVD
A		INITIAL RELEASE	27JUL2016	C.W	S.W
A1		ECR-17-015081	18OCT2017	C.W	E.J



NOTES.

- THIS RECEPTACLE MATES WITH DTM06-12SX-XXXX PLUG (X = A,B,C,D KEYS; XXXX = ALL MODIFICATIONS), SEE SHEET 3 FOR OTHER KEY ARRANGEMENTS.
- MATERIAL - HOUSING/FLANGE: NYLON 6/6 15% GF; GROMMET: VMQ, PLEASE REFER TO PNs TABLE FOR DETAIL.
- RECOMMENDED SCREW: 6-32 [M4]. TORQUE: 2.26-2.82 Nm.
- FOR CONTACT AND WIRE PERFORMANCE AND APPLICATION CHARACTERISTICS SEE ENVELOPE DRAWING 0425-015-0000. FORMAT FOR D/C DEFINITION IN LASER PROCESS. THE MARKING SHOULD BE CLEARLY DISTINGUISHABLE
- WEDGE LOCK FOR THE SERIES IS WM-12P, WHICH IS SOLD SEPARATELY, CONTACT AND WIRE SIZE:

CONTACT SIZE	MIN. INSUL. O.D.	MAX. INSUL. O.D.	WIRE RANGE [mm ²] REF ONLY
20	1.35	3.05	16-20 AWG [1.0-0.5]

- GASKET PN DT12-L012-GKT MAY BE USED FOR 2303064-1/2303064-2/2303064-3/2303064-4 ON MOUNTING PANEL
- PNs IN SHEET 2/4 ARE PARTS WITH SURFACE SEAL ASSEMBLIED,

QTY.	QTY.	QTY.	QTY.	ORDER NO	COLOUR	MATERIAL	DESCRIPTION	ITEM NO
1	1	1	1	-	ORANGE	SILICONE	GROMMET.N-SEA	4
1				-	BROWN	PA-GF15	RECEPTACLE HOUSING	3
	1			-	GREEN	PA-GF15	RECEPTACLE HOUSING	
		1		-	BLACK	PA-GF15	RECEPTACLE HOUSING	
			1	-	GRAY	PA-GF15	RECEPTACLE HOUSING	1
1	1	1	1	-	ORANGE	SILICONE	FRONT SEAL	
1				-	BROWN	PA-GF15	SLEEVE RETAINER	
	1			-	GREEN	PA-GF15	SLEEVE RETAINER	
		1		-	BLACK	PA-GF15	SLEEVE RETAINER	1
			1	-	GRAY	PA-GF15	SLEEVE RETAINER	

THIS DRAWING IS A CONTROLLED DOCUMENT.

DWN: CHARLES WAN JUN12016
 CHK: ARIEL DANG JUN12016
 APVD: SUIYA WANG JUN12016

TE Connectivity

NAME: RECEPTACLE, 12 SIZE #20 CONTACTS DTM SERIES

PRODUCT SPEC: 108-151010-1
 APPLICATION SPEC: 0425-015-0000

SIZE: A2 CAGE CODE: - DRAWING NO: C-2303064 RESTRICTED TO: -

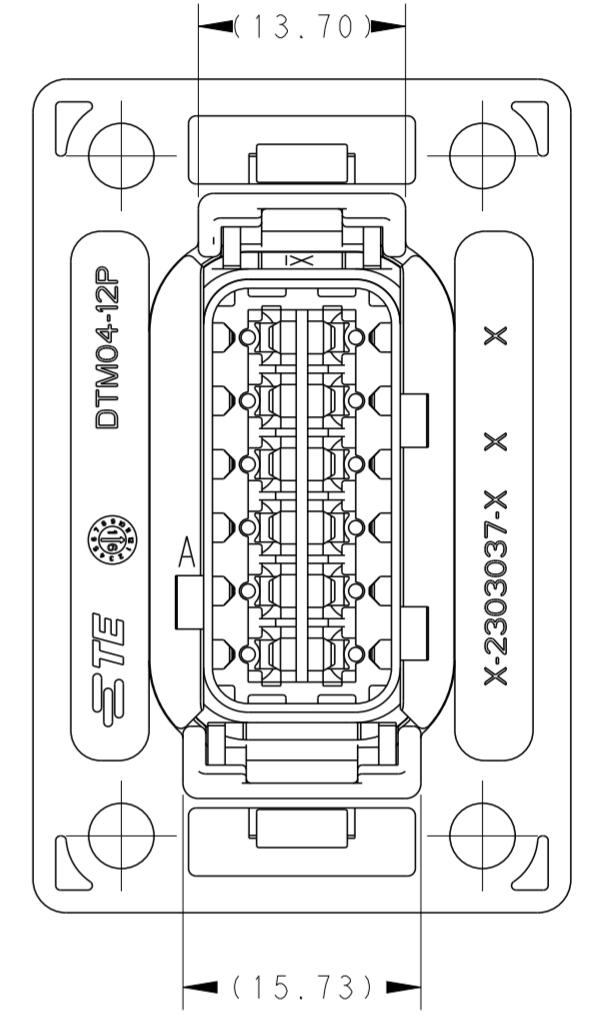
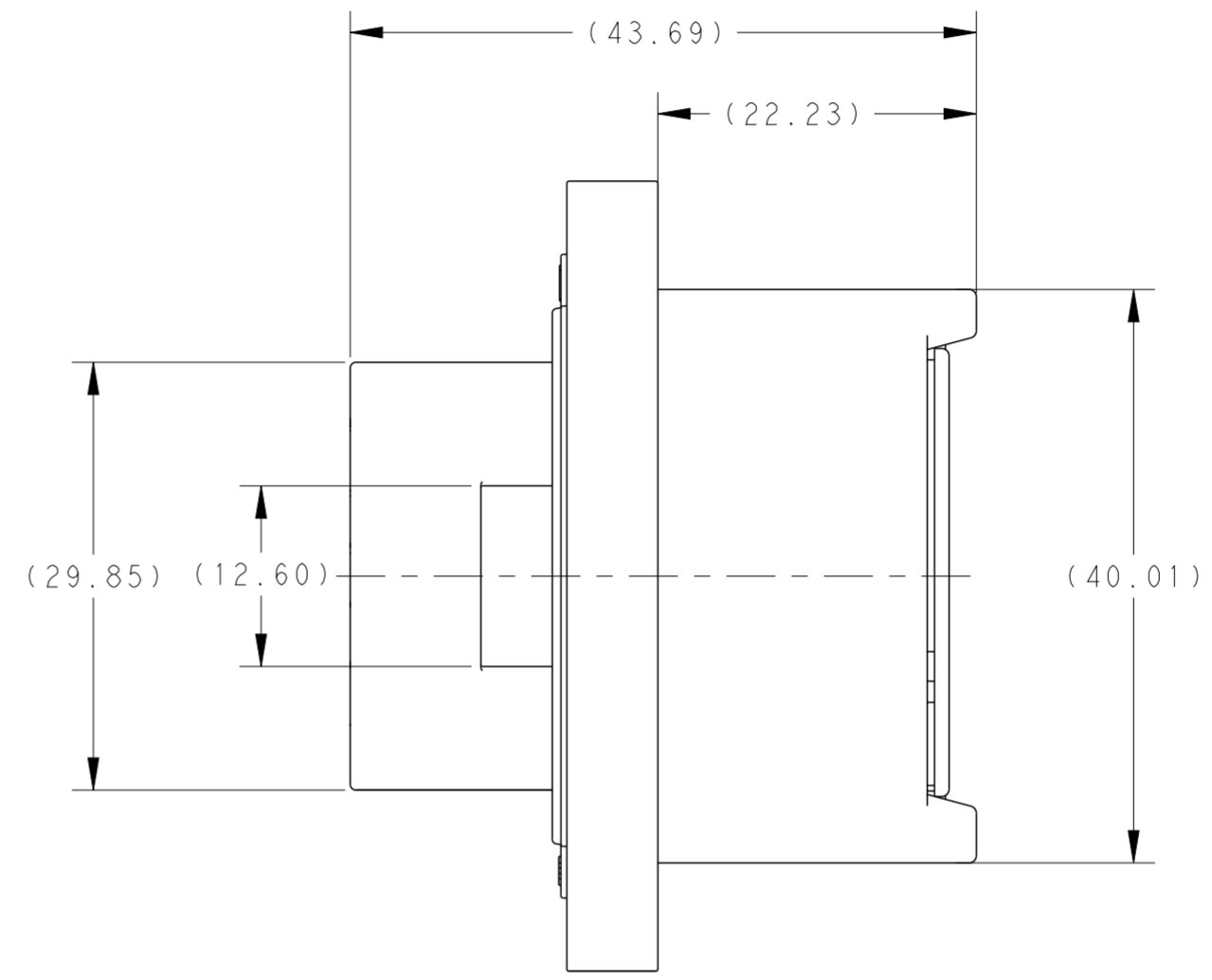
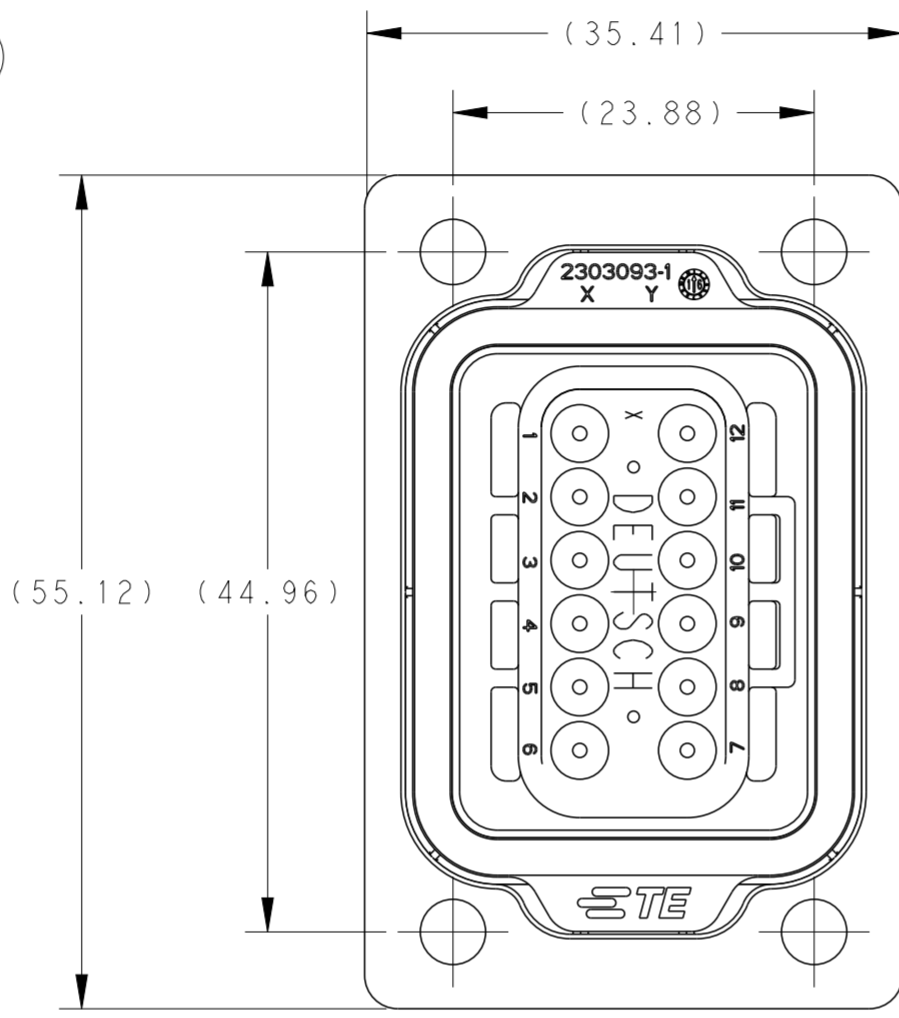
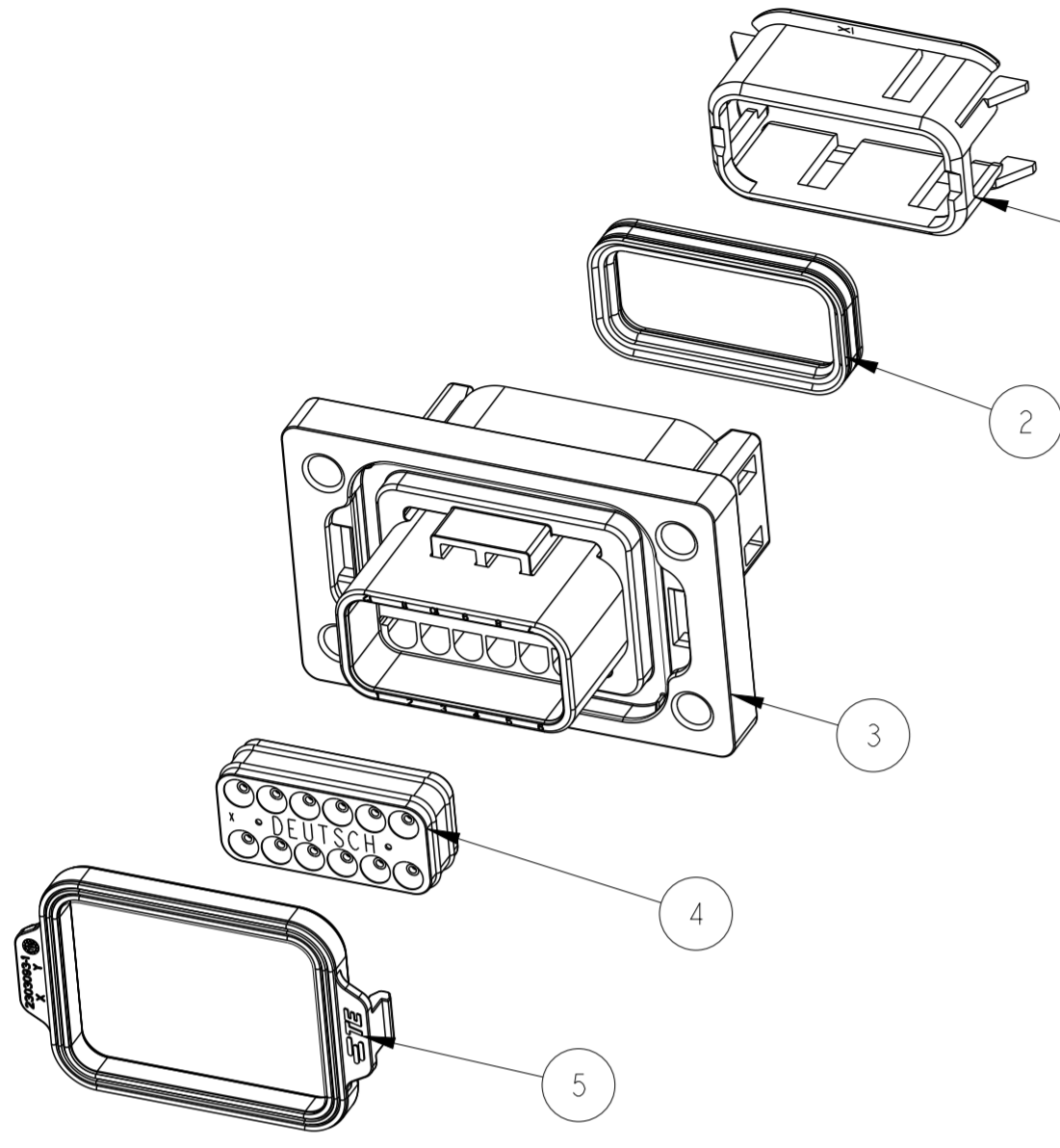
MATERIAL: 2 TOLERANCES UNLESS OTHERWISE SPECIFIED:
 0 PLC ±
 1 PLC ±
 2 PLC ±0.38
 3 PLC ±
 4 PLC ±
 ANGLES ±0°30'0"
 FINISH: -

WEIGHT: -

CUSTOMER DRAWING SCALE: 2:1 SHEET: 1 OF 4 REV: A1

THIS DRAWING IS UNPUBLISHED. RELEASED FOR PUBLICATION
 © COPYRIGHT - BY TE CONNECTIVITY ALL RIGHTS RESERVED.

REVISIONS				
P	LTR	DESCRIPTION	DATE	APVD



QTY.	QTY.	QTY.	QTY.	ORDER NO	COLOUR	MATERIAL	DESCRIPTION	ITEM NO
1	1	1	1	-	ORANGE	SILICONE	SURFACE SEALING	5
1	1	1	1	-	ORANGE	SILICONE	GROMMET.N-SEA	4
1	1	1	1	-	BROWN	PA-GF15	RECEPTACLE HOUSING	3
1	1	1	1	-	GREEN	PA-GF15	RECEPTACLE HOUSING	
1	1	1	1	-	BLACK	PA-GF15	RECEPTACLE HOUSING	
1	1	1	1	-	GRAY	PA-GF15	RECEPTACLE HOUSING	1
1	1	1	1	-	ORANGE	SILICONE	FRONT SEAL	
1	1	1	1	-	BROWN	PA-GF15	SLEEVE RETAINER	
1	1	1	1	-	GREEN	PA-GF15	SLEEVE RETAINER	
1	1	1	1	-	BLACK	PA-GF15	SLEEVE RETAINER	1
1	1	1	1	-	GRAY	PA-GF15	SLEEVE RETAINER	
27.5852	27.5852	27.5852	27.5852				WEIGHT (g)	
1-2303064-4	1-2303064-3	1-2303064-2	1-2303064-1				TCPN	
D	C	B	A				CODING	

THIS DRAWING IS A CONTROLLED DOCUMENT.

DWN: CHARLES WAN JUN12016
 CHK: ARIEL DANG JUN12016
 APVD: SUIYA WANG JUN12016

TE Connectivity

NAME: RECPTACLE, 12 SIZE #20 CONTACTS DTM SERIES

PRODUCT SPEC: 108-151010-1
 APPLICATION SPEC: 0425-015-0000

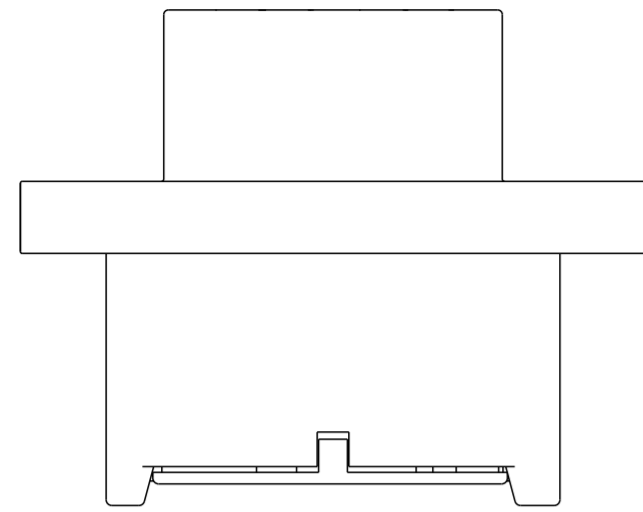
SIZE: A2 CAGE CODE: - DRAWING NO: C-2303064 RESTRICTED TO: -

MATERIAL: 2 FINISH: - WEIGHT: -

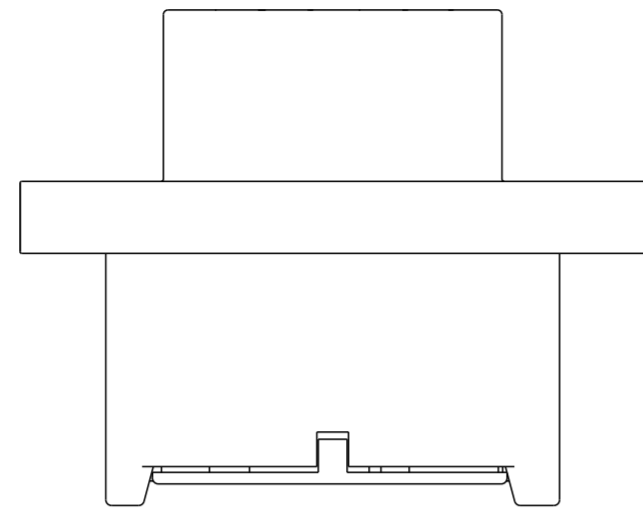
CUSTOMER DRAWING SCALE: 2:1 SHEET: 2 OF 4 REV: A1

THIS DRAWING IS UNPUBLISHED. RELEASED FOR PUBLICATION
 © COPYRIGHT - BY TE CONNECTIVITY ALL RIGHTS RESERVED.

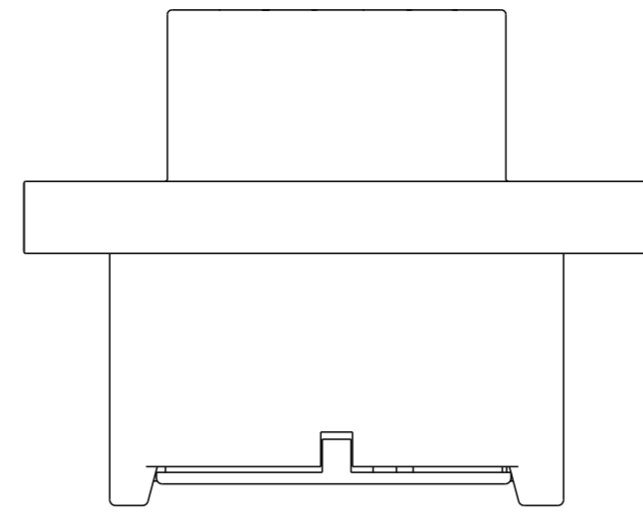
REVISIONS				
P	LTR	DESCRIPTION	DATE	APVD



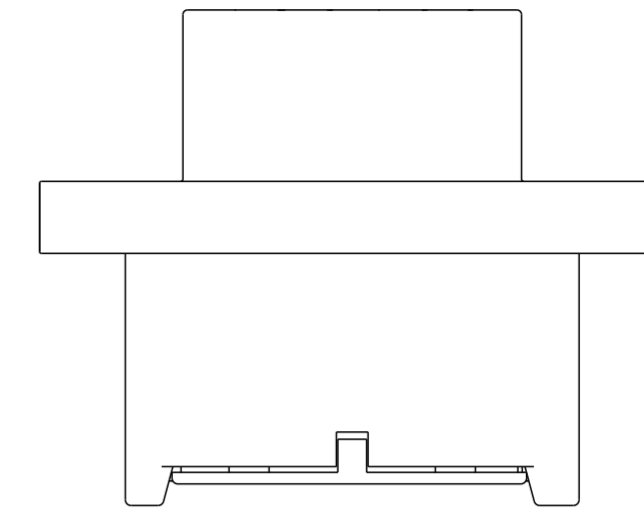
2303064-1
KEY -A-
COLOR: GREY



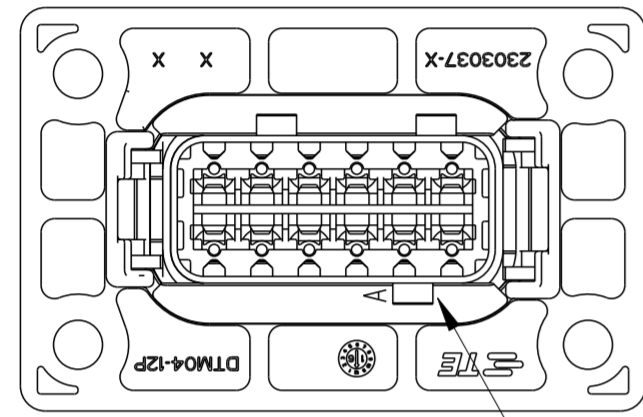
2303064-2
KEY -B-
COLOR: BLACK



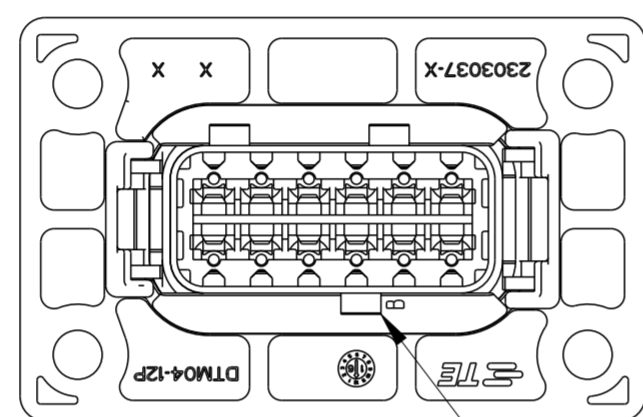
2303064-3
KEY -C-
COLOR: GREEN



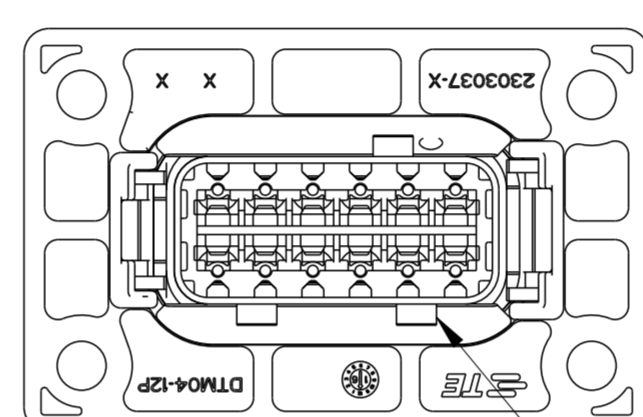
2303064-4
KEY -D-
COLOR: BROWN



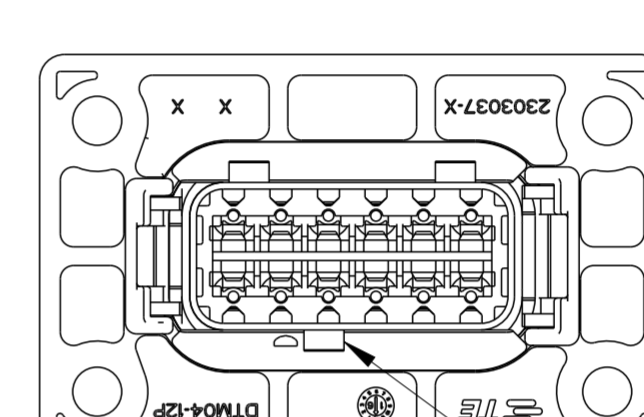
3X KEYWAY



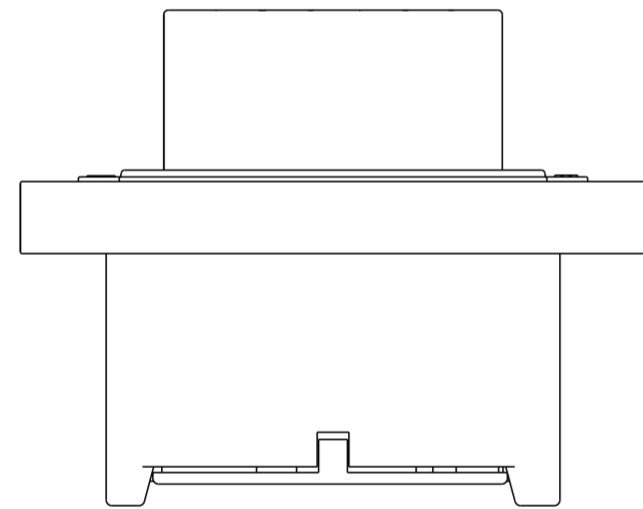
3X KEYWAY



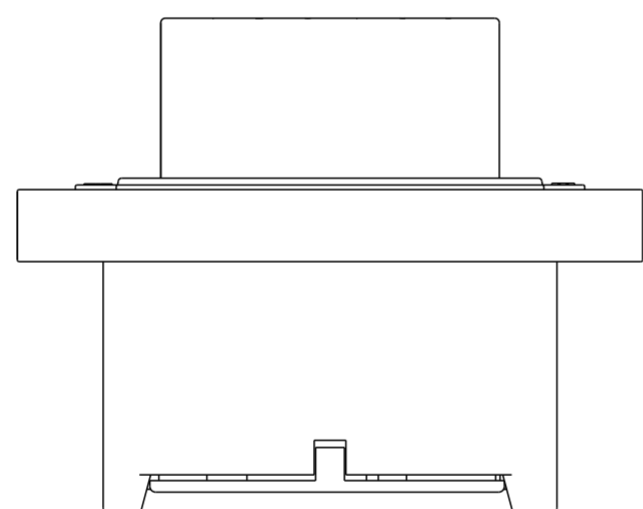
3X KEYWAY



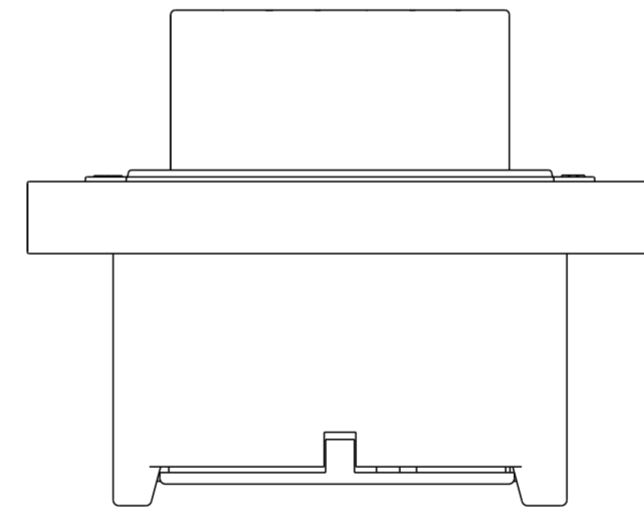
3X KEYWAY



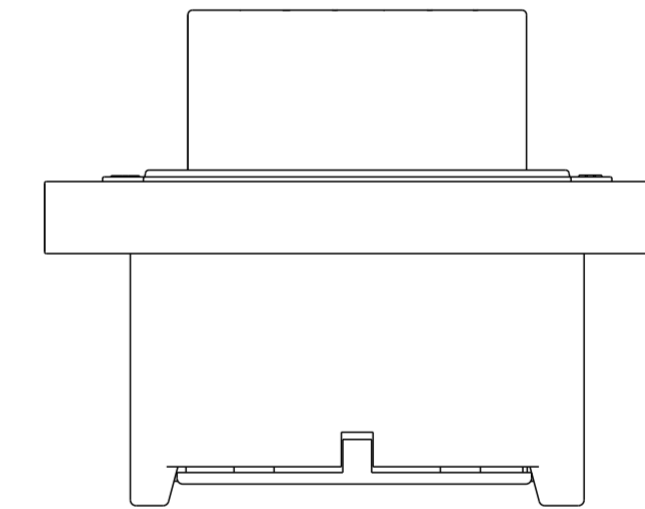
1-2303064-1
KEY -A-
COLOR: GREY



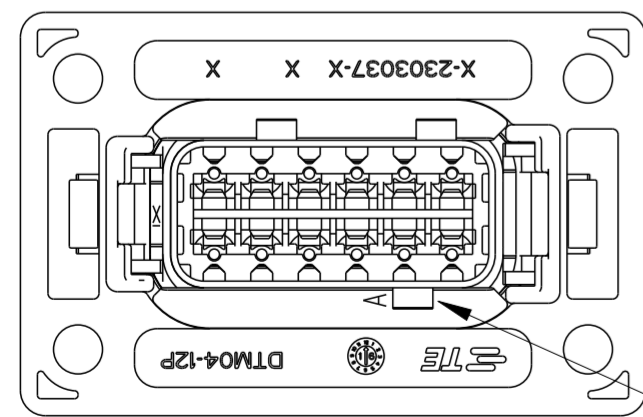
1-2303064-2
KEY -B-
COLOR: BLACK



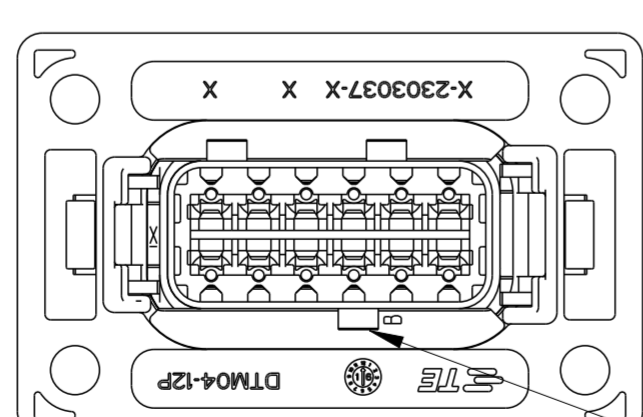
1-2303064-3
KEY -C-
COLOR: GREEN



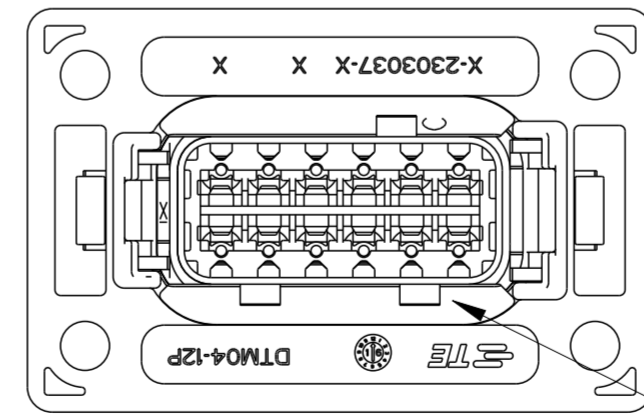
1-2303064-4
KEY -D-
COLOR: BROWN



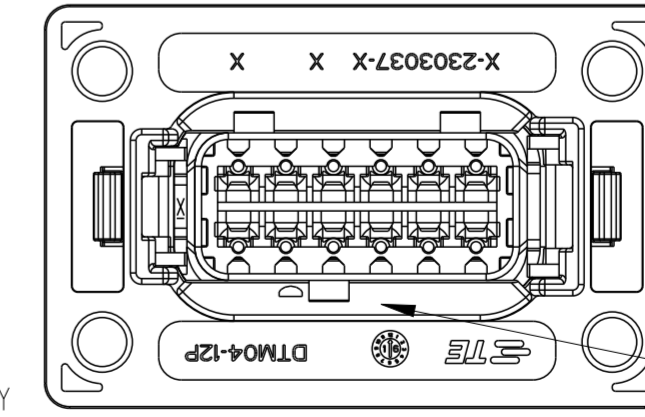
3X KEYWAY



3X KEYWAY



3X KEYWAY

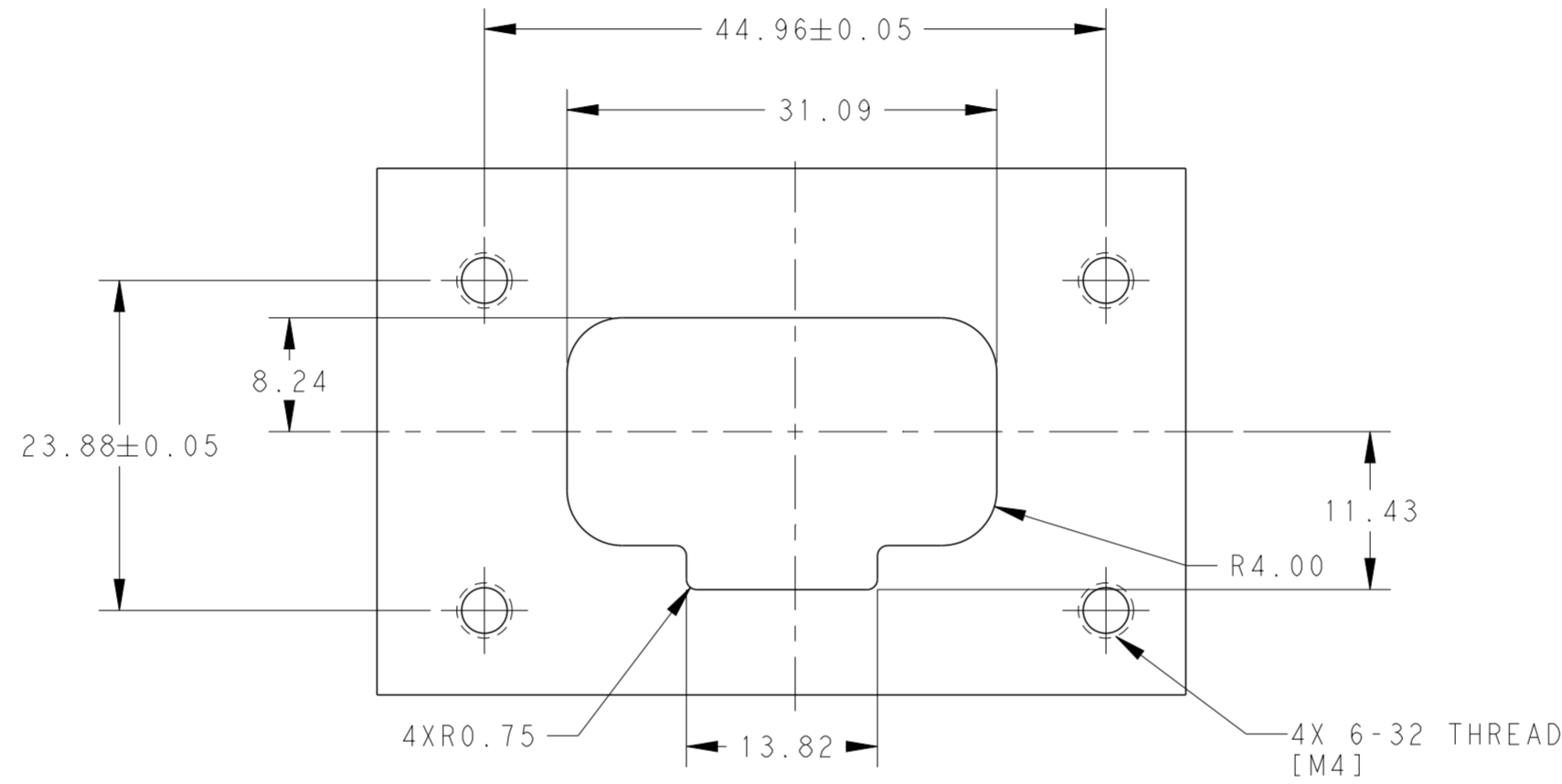
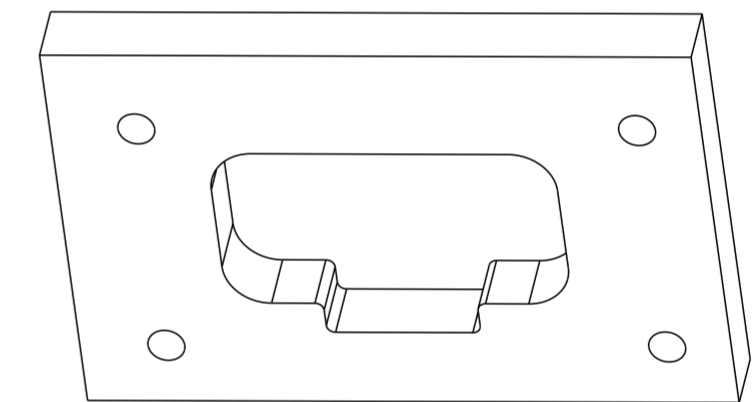
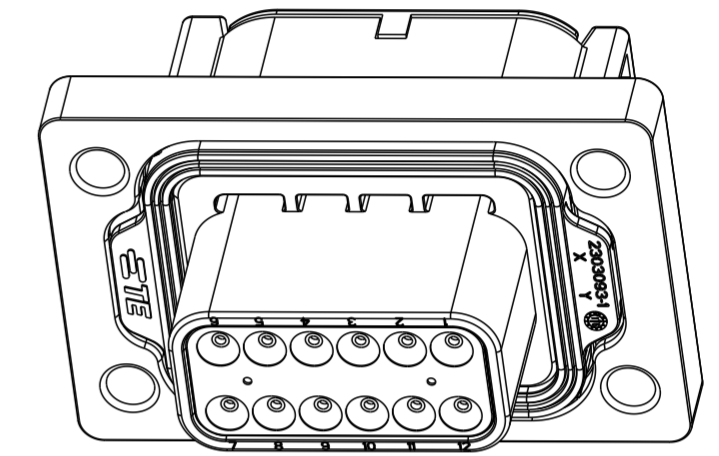
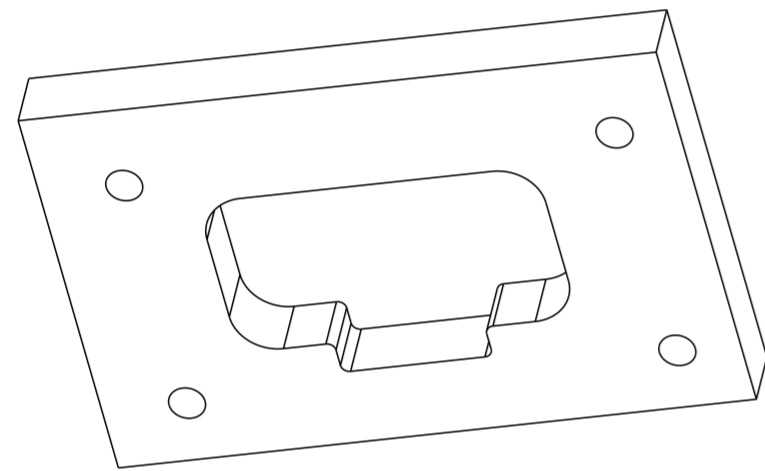
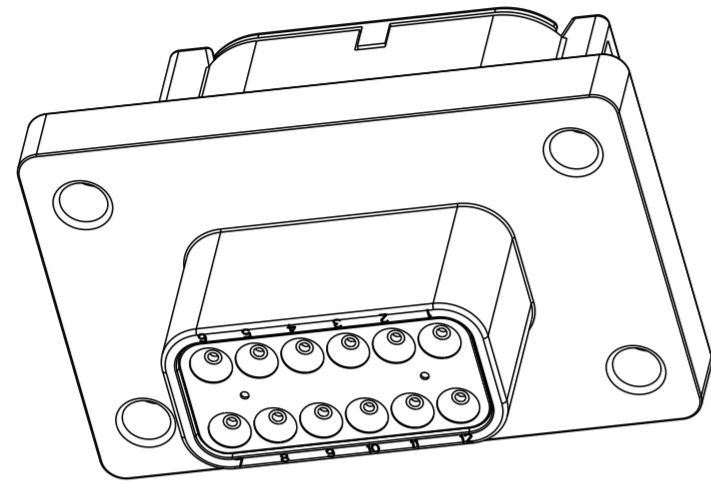


3X KEYWAY

THIS DRAWING IS A CONTROLLED DOCUMENT.		DWN CHARLES WAN CHK ARIEL DANG APVD SUIYA WANG	JUN12016 JUN12016 JUN12016	TE Connectivity NAME RECPTACLE, 12 SIZE #20 CONTACTS DTM SERIES	
DIMENSIONS: mm 		TOLERANCES UNLESS OTHERWISE SPECIFIED: 0 PLC ± 1 PLC ± 2 PLC ±0.38 3 PLC ± 4 PLC ± ANGLES ±0°30'0" FINISH -			
MATERIAL 		CUSTOMER DRAWING		SIZE A2	RESTRICTED TO -
		SCALE 1:1		SHEET 3 OF 4	REV A1

THIS DRAWING IS UNPUBLISHED. RELEASED FOR PUBLICATION
 © COPYRIGHT - BY TE CONNECTIVITY ALL RIGHTS RESERVED.

REVISIONS				
P	LTR	DESCRIPTION	DATE	APVD



2303064-1/2303064-2
 2303064-3/2303064-4
 FRONT PANEL MOUNT

RECOMMENDED MOUNTING HOLE

1-2303064-1/1-2303064-2
 1-2303064-3/1-2303064-4
 FRONT PANEL MOUNT

THIS DRAWING IS A CONTROLLED DOCUMENT.		DWN CHARLES WAN CHK ARIEL DANG APVD SUIYA WANG	JUN12016 JUN12016 JUN12016	TE Connectivity RECPTACLE, 12 SIZE #20 CONTACTS DTM SERIES	
DIMENSIONS: mm 		TOLERANCES UNLESS OTHERWISE SPECIFIED: 0 PLC ±- 1 PLC ±- 2 PLC ±0.38 3 PLC ±- 4 PLC ±- ANGLES ±0°30'0" FINISH -			
MATERIAL 		WEIGHT -		A2 - G-2303064	SCALE 2:1 SHEET 4 OF 4 REV A1