



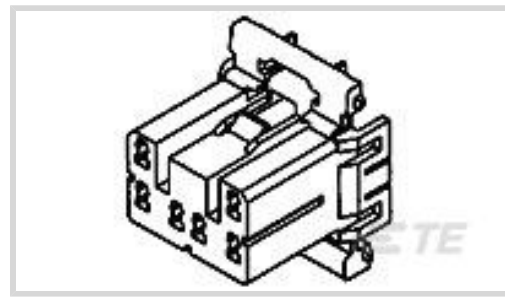
AMP | Multilock Connector System

TE Internal #: 282367-1

Housing for Female Terminals, Wire-to-Wire, 12 Position, .138 in [3.5 mm] Centerline, White, Signal, Multilock Connector System

[View on TE.com >](#)

Connectors > Automotive Connectors > Connector Housings > MULTILOCK, CONNECTOR HOUSING



Connector & Housing Type: **Housing for Female Terminals**

Mating Tab Width: 1.7 mm [.067 in]

Connector System: **Wire-to-Wire**

Number of Positions: 12

Centerline (Pitch): 3.5 mm [.138 in]

[All MULTILOCK, CONNECTOR HOUSING \(576\)](#)

Features

Product Type Features

Connector & Housing Shape	Rectangular
Connector & Housing Type	Housing for Female Terminals
Connector System	Wire-to-Wire
Sealable	No
Hybrid Connector	No
Primary Locking Feature	Integrated in Housing

Configuration Features

Number of Positions	12
Number of Rows	2

Electrical Characteristics

Operating Voltage	24 VDC
Nominal Voltage Architecture	12 V, 24 V

Body Features

Cable Exit Angle	180°
Body Material	PBT
Primary Product Color	White

Contact Features



Contact Size	1.8mm
Contact Type	Receptacle
Mating Tab Width	1.7 mm[.067 in]

Mechanical Attachment

Mounting Feature	Without
Strain Relief	Without
Mating Alignment Type	Keyed
Mating Alignment	With
Connector Mounting Type	Cable Mount (Free-Hanging)

Housing Features

Centerline (Pitch)	3.5 mm[.138 in]
--------------------	-----------------

Dimensions

Product Width	21.6 mm[.85 in]
Product Length	31.9 mm[1.256 in]
Product Height	14 mm[.551 in]
Row-to-Row Spacing	5.9 mm[.232 in]

Usage Conditions

Operating Temperature (Max)	70 °C, 75 °C, 80 °C, 85 °C, 90 °C, 100 °C, 105 °C[158 °F][167 °F][176 °F][185 °F][194 °F][212 °F][221 °F]
Operating Temperature Range	-30 – 105 °C[-22 – 221 °F]

Operation/Application

Circuit Application	Signal
---------------------	--------

Packaging Features

Packaging Quantity	400
Packaging Method	Box

Other

Serviceable	No
Connector Position Assurance Capable	No

Product Compliance

[For compliance documentation, visit the product page on TE.com>](#)

EU RoHS Directive 2011/65/EU	Compliant
------------------------------	-----------



EU ELV Directive 2000/53/EC	Compliant
China RoHS 2 Directive MIIT Order No 32, 2016	No Restricted Materials Above Threshold
EU REACH Regulation (EC) No. 1907/2006	Current ECHA Candidate List: JUNE 2022 (224) Candidate List Declared Against: JAN 2022 (223) SVHC > Threshold: Not Yet Reviewed
Halogen Content	Low Halogen - Br, Cl, F, I < 900 ppm per homogenous material. Also BFR/CFR/PVC Free
Solder Process Capability	Not applicable for solder process capability

Product Compliance Disclaimer

This information is provided based on reasonable inquiry of our suppliers and represents our current actual knowledge based on the information they provided. This information is subject to change. The part numbers that TE has identified as EU RoHS compliant have a maximum concentration of 0.1% by weight in homogenous materials for lead, hexavalent chromium, mercury, PBB, PBDE, DBP, BBP, DEHP, DIBP, and 0.01% for cadmium, or qualify for an exemption to these limits as defined in the Annexes of Directive 2011/65/EU (RoHS2). Finished electrical and electronic equipment products will be CE marked as required by Directive 2011/65/EU. Components may not be CE marked. Additionally, the part numbers that TE has identified as EU ELV compliant have a maximum concentration of 0.1% by weight in homogenous materials for lead, hexavalent chromium, and mercury, and 0.01% for cadmium, or qualify for an exemption to these limits as defined in the Annexes of Directive 2000/53/EC (ELV). Regarding the REACH Regulation, the information TE provides on SVHC in articles for this part number is based on the latest European Chemicals Agency (ECHA) 'Guidance on requirements for substances in articles' posted at this URL: <https://echa.europa.eu/guidance-documents/guidance-on-reach>

Compatible Parts



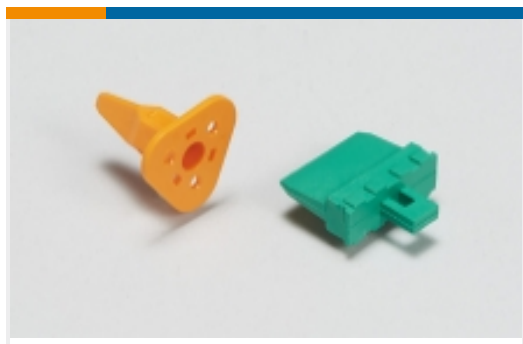
Also in the Series | Multilock Connector System



Automotive Connector Caps & Covers (16)



Automotive Connector EMC Shielding (1)



Automotive Connector Locks & Position Assurance(2)



Automotive Housings(575)



Automotive Seals & Cavity Plugs(2)



Automotive Terminals(140)



Insertion & Extraction Tools(6)



Other Automotive Connector Accessories(9)



PCB Headers & Receptacles(129)

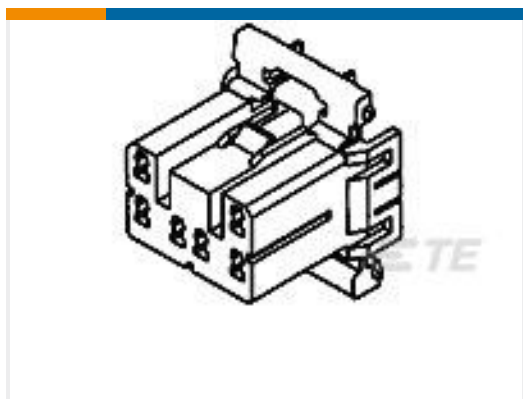
Customers Also Bought



TE Part #927365-1
TIMER, CONNECTOR HOUSING



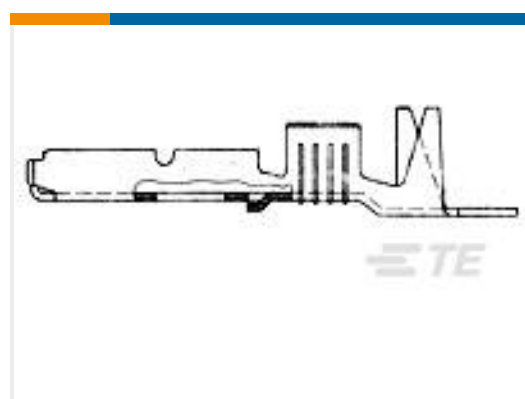
TE Part #828906-2
BLINDSTOPFEN 1,5SYS



TE Part #282369-1
070 MULTILOCK PLUG HSG 20 PO



TE Part #964274-2
TIMER, RECEPTACLE AND TAB



TE Part #281938-3
MIC MARKII RCPT CONTACT



TE Part #282376-1
070 SERIES REPT. CONTACT



TE Part #626038-2
RING TONGUE 4-6 MM2 0.79 X 16.18 TPBR



TE Part #282240-1
MICRO RELAY HOUSING

Documents



Product Drawings

070 MULTILOCK PLUG HSG. 12 PO

English

CAD Files

3D PDF

3D

Customer View Model

[ENG_CVM_CVM_282367-1_D_c-282367-1-d.2d_dxf.zip](#)

English

Customer View Model

[ENG_CVM_CVM_282367-1_D_c-282367-1-d.3d_igs.zip](#)

English

Customer View Model

[ENG_CVM_CVM_282367-1_D_c-282367-1-d.3d_stp.zip](#)

English

By downloading the CAD file I accept and agree to the [Terms and Conditions](#) of use.

Datasheets & Catalog Pages

MULTILOCK Connector System

English

Product Specifications

Product Specification

English

070 series multilock conns.

English

Product Specification

English

070 SERIES MULTILOCK CONNECTOR FOR W.T.W. APPLICATION

English

Instruction Sheets

Instruction Sheet (non U.S.)

English

070 sr MULTILOCK* Connector (wire to wire version)

English
