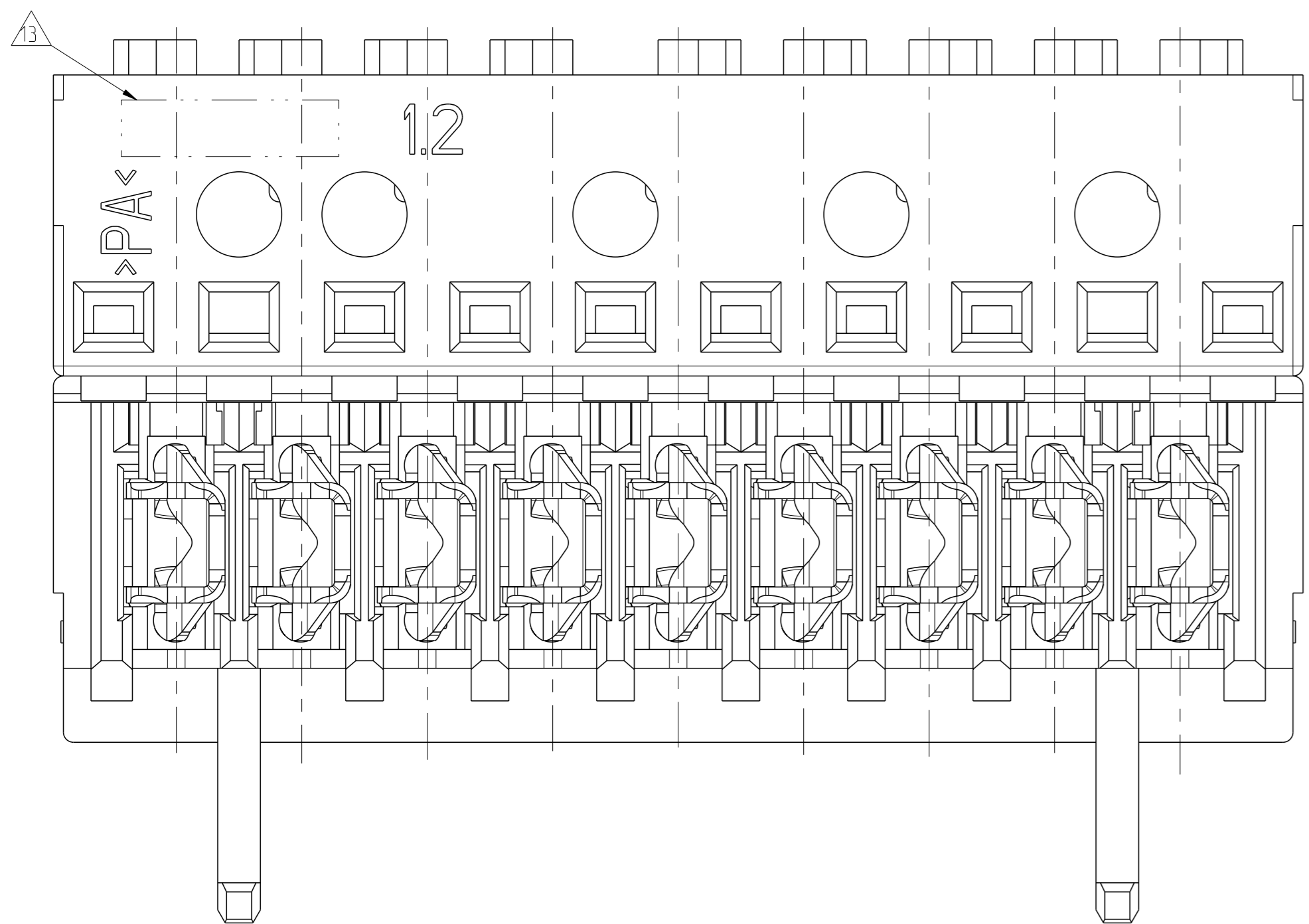
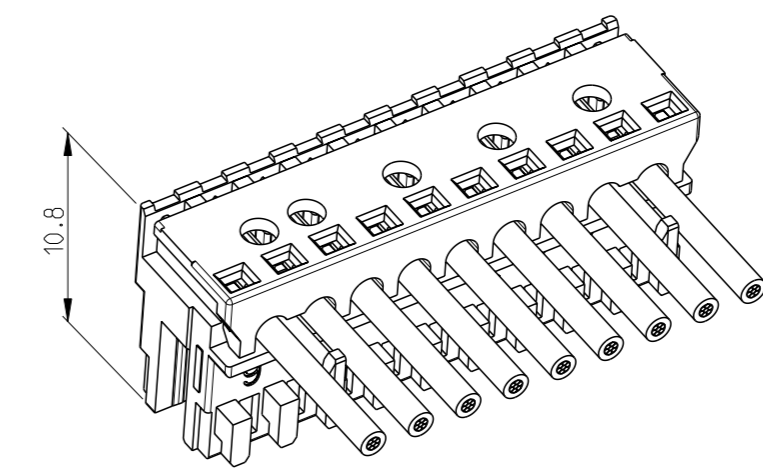
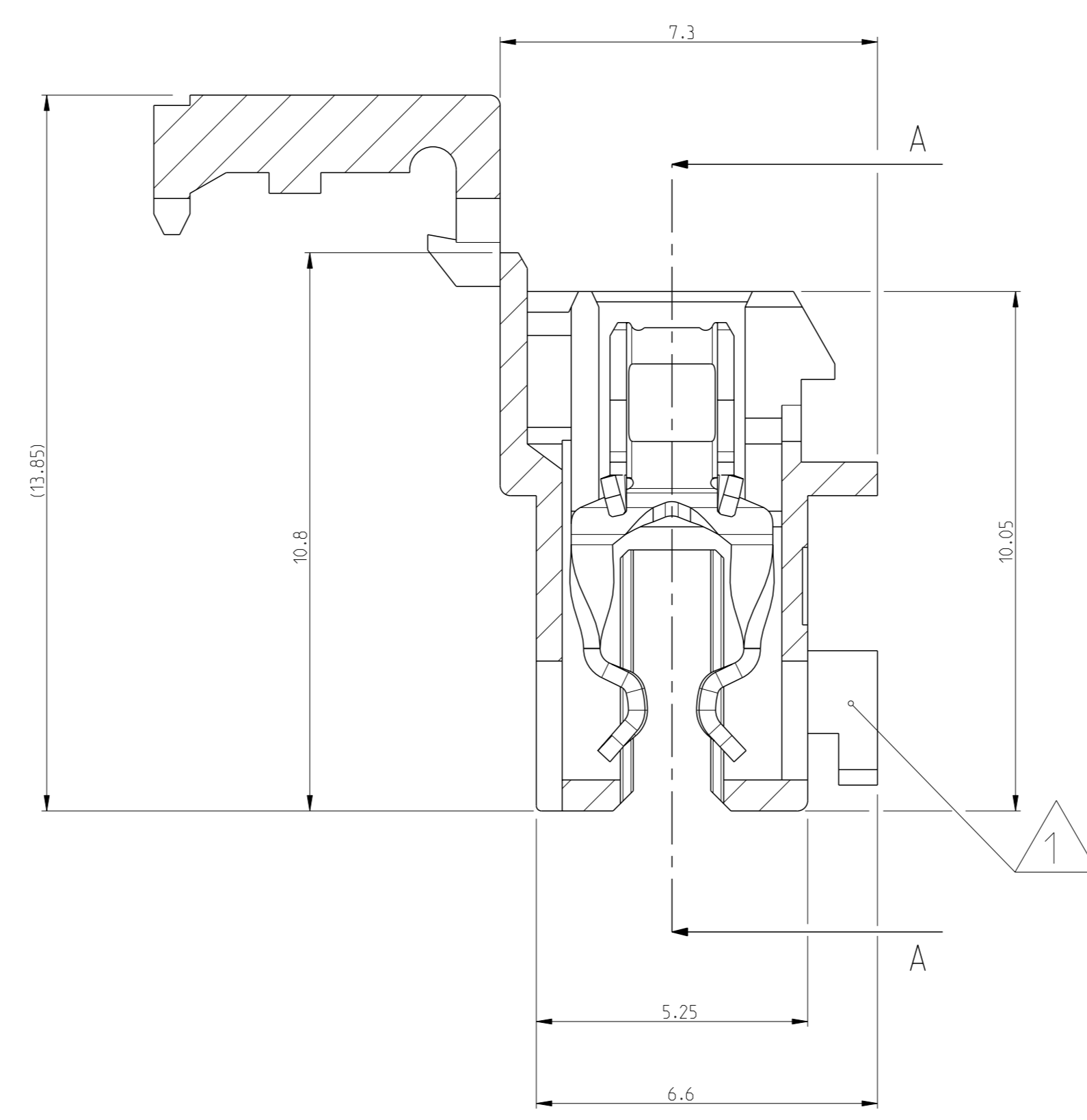
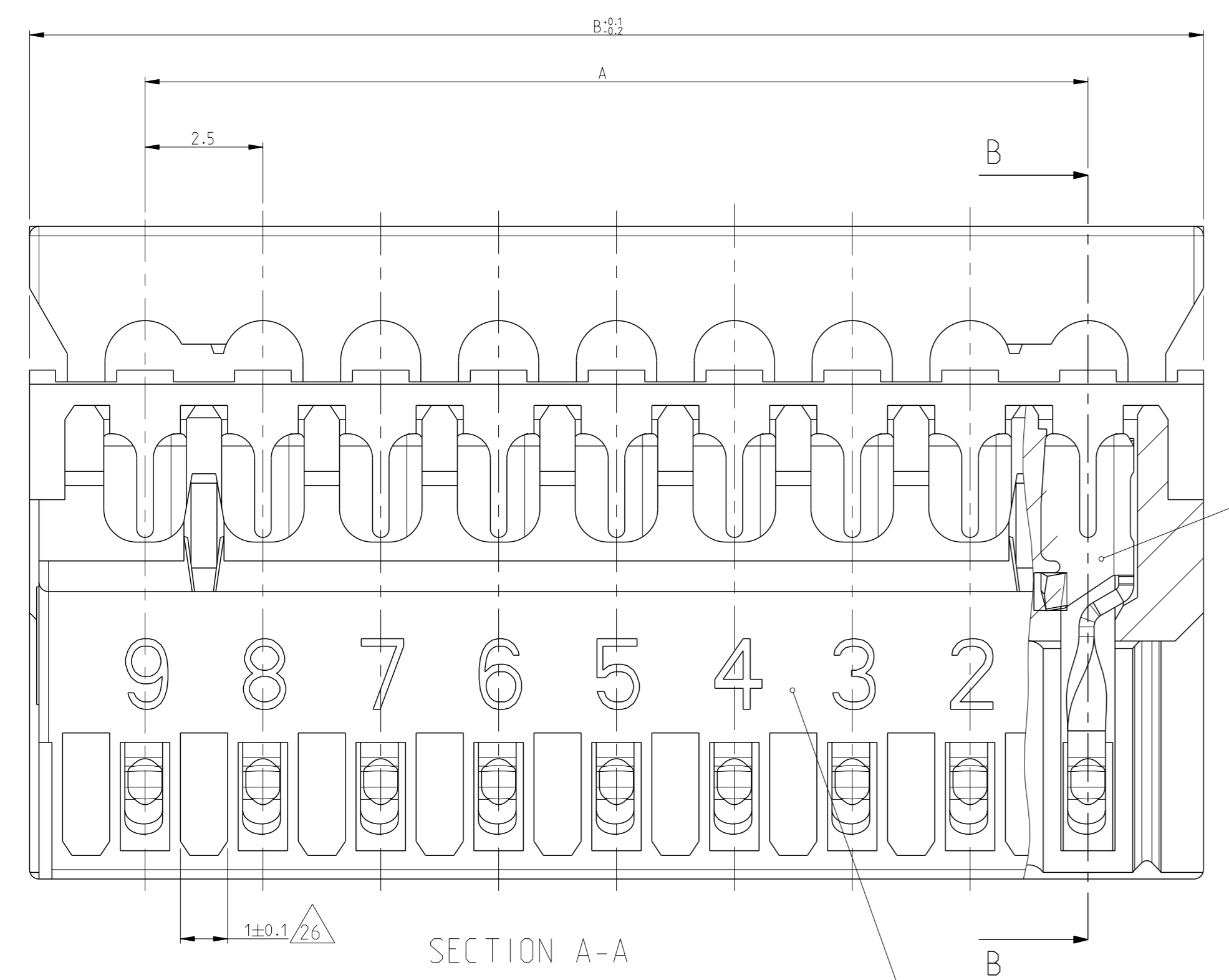
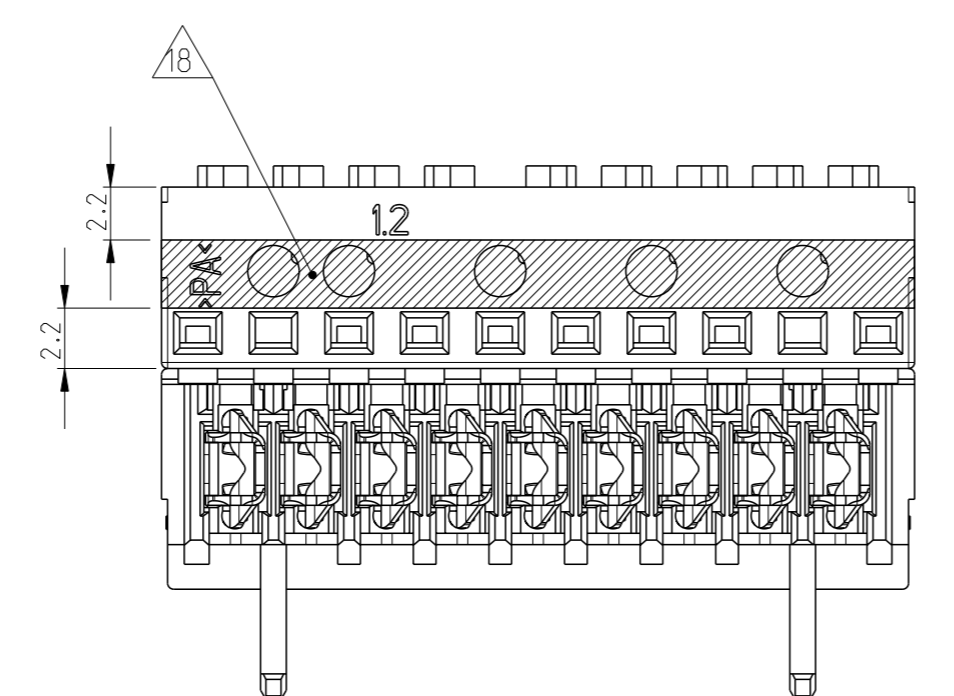
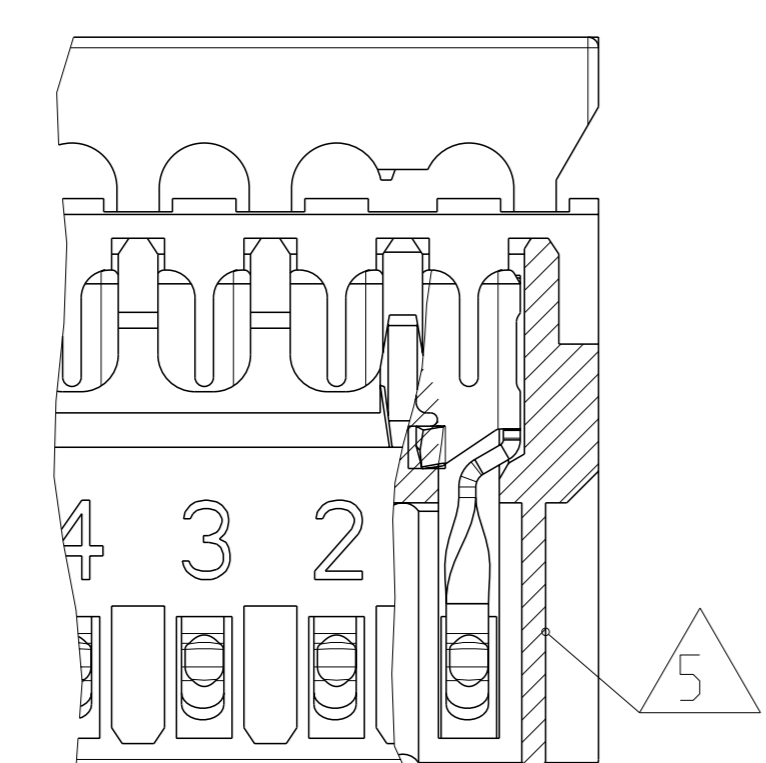
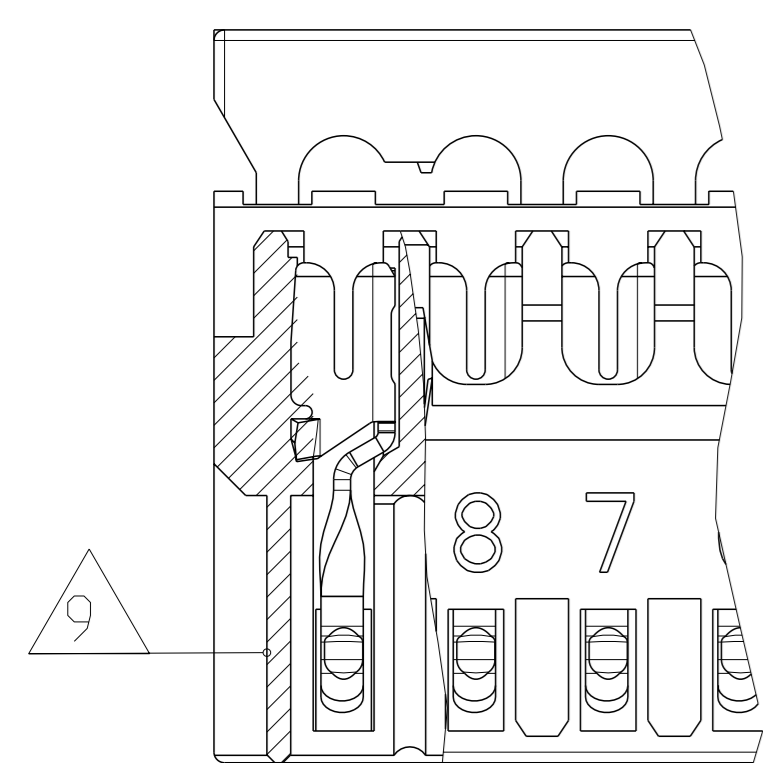


LOC		DIST		REVISIONS			
P	LYR	DESCRIPTION	DATE	OWN	APVD		
D43		ECR-18-005675	25APR2018	KD	FL		
D44		ECR-18-007020	08MAY2018	LZ	FL		
D45		ECR-18-008502	07JUN2018	KD	FL		
D46		ECR-18-011242	18JUL2018	LZ	FL		



SECTION B-B

- 26 DIMENSION AVAILABE ONLY FOR PART X-2304525-X, X-2304526-X.
- 25 WITH SPECIAL CHAIN FEATURE
- 24 SIDE KEYING ON LAST CAVITY, THICK-1.5mm
- 23 -
- 19 SIDE KEYING, THICK, ON CAVITY No.1
- 18 COLOR STRIP ON COVER OF HOUSING, NOT THE COLOR OF HOUSING.
- 17 SLOT FOR KEYING, SLIM, BETWEEN POSITION
- 16 SLOT FOR KEYING, THICK, BETWEEN POSITION
- 15 KEYING, THICK, BETWEEN POSITION
- 14 COLOR CODE
- 13 TE LOGO
- 12 PRELIMINARY PART NOT RELEASED FOR PRODUCTION
- 11 KEYING, SLIM, BETWEEN POSITION
- 10 SLOT FOR SIDE KEYING, ON LAST CAVITY
Schlitz fuer Seitenkodierung, an Letzter Kammer
- 9 SIDE KEYING, SLIM, ON LAST CAVITY
Seitenkodierung, an Letzter Kammer
- 8 INCLUSIVE COPPER CLOADING
Inklusive Kupferkaschierung
- 7 PCB PREFERABLY CHAMFERED
Leiterplatte vorzugsweise angefast
- 6 SLOT FOR SIDE KEYING, ON CAVITY NO 1
Schlitz fuer Seitenkodierung, an Kammer 1
- 5 SIDE KEYING, ON CAVITY NO. 1
Seitenkodierung, an Kammer Nr. 1
- 4 WIRE RANGE: 0.22-0.35mm² SEE APPLICATION SPEC. 114-18467
Drahtgroebenbereich: 0.22-0.35mm² siehe Verarbeitungsspec. 114-18467
- 3 IEC60695-2-11 / IEC60335-1 GLOW WIRE TEST 750 °C WITHOUT FLAME
IEC60695-2-11 / IEC60335-1 Gluehdrahttest 750 °C ohne Flamme
- 2 MATING PART: PCB (WITH FRAMES ACC. RAST 2.5 E.G. PN 964 575/576)
TABHEADER PN 829 866/867
Passender Gegenstecker: Leiterplatten (mit Rahmen nach RAST 2.5 z.B. 964 575/576) Tabwanen Nr. 829 866/867
- 1 KEYING RIBS; CUTTING WITH TERMINATION MACHINE POSSIBLE
Kodierrippe; Schneiden auf der Verarbeitungsmaschine moeglich



THIS DRAWING IS A CONTROLLED DOCUMENT.		OWN: H. Karabiyik 24MAY2002	
DIMENSIONS: mm		CHK: B. Schnaubelt 24MAY2002	
TOLERANCES UNLESS OTHERWISE SPECIFIED:		APVD: T. Klenner 24MAY2002	NAME: AMP DUOPLUG 2.5 MARK II FEMALE CONNECTOR 2-20 POSITION
0 PLC ±0.2	1 PLC ±0.2	PRODUCT SPEC	SIZE: 114-18467
2 PLC ±0.2	3 PLC ±0.2	APPLICATION SPEC	CAGE CODE: 00779
4 PLC ±0.2	ANGLES ±°	FINISH: -	DRAWING NO: 1534796
MATERIAL: -	FINISH: -	WEIGHT: -	RESTRICTED TO: -
Customer Drawing		SCALE: 10:1	SHEET 1 OF 4

LOC	DIST	REVISIONS			
		REV	DATE	BY	APPV
A1	-				

PART NUMBERS LOADED WITH TIN PLATED CONTACTS (2-9 POSITION)

SL NO	PN	DESCRIPTION	MATERIAL	COLOUR/FINISH
9	20	24.9	2/3	5-1534796-9
9	20	24.9	4/5	2-1534796-9
9	20	24.9		3-1534796-9
9	20	24.9	3/4	4-1534796-9
Brown	8	17.5	2/3	9-1534796-8
8	17.5	22.4	3/4	8-1534796-8
8	17.5	22.4	3/4	7-1534796-8
8	17.5	22.4	3/4	6-1534796-8
8	17.5	22.4	X	5-1534796-8
8	17.5	22.4		3-1534796-8
8	17.5	22.4	5/6	2-1534796-8
7	15	19.9	2/3	7-1534796-7
BLUE	7	15	2/3	6-1534796-7
BLUE	7	15	2/3	4-1534796-7
7	15	19.9	5/6	5-1534796-7
7	15	19.9		3-1534796-7
6	12.5	17.4	2/3	9-1534796-6
6	12.5	17.4	1/2	8-1534796-6
6	12.5	17.4	3/4	7-1534796-6
6	12.5	17.4	2/3	6-1534796-6
BLUE	6	12.5	4/5	2-1534796-6
6	12.5	17.4	4/5	5-1534796-6
6	12.5	17.4		4-1534796-6
6	12.5	17.4		3-1534796-6
5	10	14.9	4/5	8-1534796-5
5	10	14.9	1/2	9-1534796-5
5	10	14.9	1/2	4-1534796-5
GREEN	5	10	3/4	7-1534796-5
BROWN	5	10	2/3	6-1534796-5
5	10	14.9		5-1534796-5
5	10	14.9		3-1534796-5
BROWN	5	10	1/2	0-1534796-5
4	7.5	12.4	X	0-2825353-4
RED	4	7.5		9-1534796-4
BLACK	4	7.5	2/3	8-1534796-4
BLACK	4	7.5	2/3	2-1534796-4
BLACK	4	7.5	3/4	5-1534796-4
4	7.5	12.4	1/2	6-1534796-4
4	7.5	12.4	X	1534796-4
4	7.5	12.4	3/4	7-1534796-4
4	7.5	12.4		4-1534796-4
4	7.5	12.4		3-1534796-4
RED	3	5	2/3	2-1534796-3
3	5	9.9		8-1534796-3
RED	3	5	2/3	9-1534796-3
3	5	9.9	2/3	6-1534796-3
3	5	9.9	1/2	7-1534796-3
3	5	9.9	2/3	4-1534796-3
3	5	9.9		3-1534796-3
2	2.5	7.4	1/2	1-1534796-2
2	2.5	7.4		1534796-2
COLOR CODE	POS.	DIM A	DIM B	TE P/N
2	SEE TABLE	CONTACT		TINNED
1	SEE TABLE	HOUSING		NATUR
SL NO	PN	DESCRIPTION	MATERIAL	COLOUR/FINISH

PART NUMBERS LOADED WITH TIN PLATED CONTACTS (10-20 POSITION)

SL NO	PN	DESCRIPTION	MATERIAL	COLOUR/FINISH
20	47.5	52.4		3-1534797-0
19	45	49.9		5-1534797-9
19	45	49.9		4-1534797-9
19	45	49.9		3-1534797-9
16	37.5	42.4		3-1534797-6
15	35	39.9		3-1534797-5
14	32.5	37.4		3-1534797-4
13	30	34.9		3-1534797-3
12	27.5	32.4	11/12	5-1534797-2
12	27.5	32.4		4-1534797-2
12	27.5	32.4		3-1534797-2
12	27.5	32.4	X X	2-1534797-2
11	25	29.9	5/6	7-1534797-1
11	25	29.9	10/11	6-1534797-1
11	25	29.9	10/11	5-1534797-1
11	25	29.9	9/10	4-1534797-1
11	25	29.9		3-1534797-1
10	22.5	27.4	2/3	6-1534796-0
10	22.5	27.4	8/9	4-1534796-0
10	22.5	27.4		3-1534796-0
10	22.5	27.4	7/8	7-1534796-0
COLOR CODE	POS.	DIM A	DIM B	TE P/N
2	SEE TABLE	CONTACT		TINNED
1	SEE TABLE	HOUSING		NATUR
SL NO	PN	DESCRIPTION	MATERIAL	COLOUR/FINISH

PART NUMBERS LOADED WITH SILVER PLATED CONTACTS

SL NO	PN	DESCRIPTION	MATERIAL	COLOUR/FINISH
20	47.5	52.4		1-2319614-0
13	30	34.9		2319614-3
9	20	24.9		2319613-9
6	12.5	17.4		2319613-6
2	2.5	7.4		2319613-2
COLOR CODE	POS.	DIM A	DIM B	TE P/N
2	SEE TABLE	CONTACT		SILVERED
1	SEE TABLE	HOUSING		NATUR
SL NO	PN	DESCRIPTION	MATERIAL	COLOUR/FINISH

THIS DRAWING IS A CONTROLLED DOCUMENT.

DIMENSIONS: mm

TOLERANCES UNLESS OTHERWISE SPECIFIED:

0 PLC ±0.2
 1 PLC ±0.2
 2 PLC ±0.2
 3 PLC ±0.2
 4 PLC ±0.2
 ANGLES ±1°

OWN: H. Karabiyik 24MAY2002
 CHK: B. Schnaubelt 24MAY2002
 APV: T. Klenner 24MAY2002

NAME: AMP DUOPLUG 2.5 MARK II FEMALE CONNECTOR 2-20 POSITION

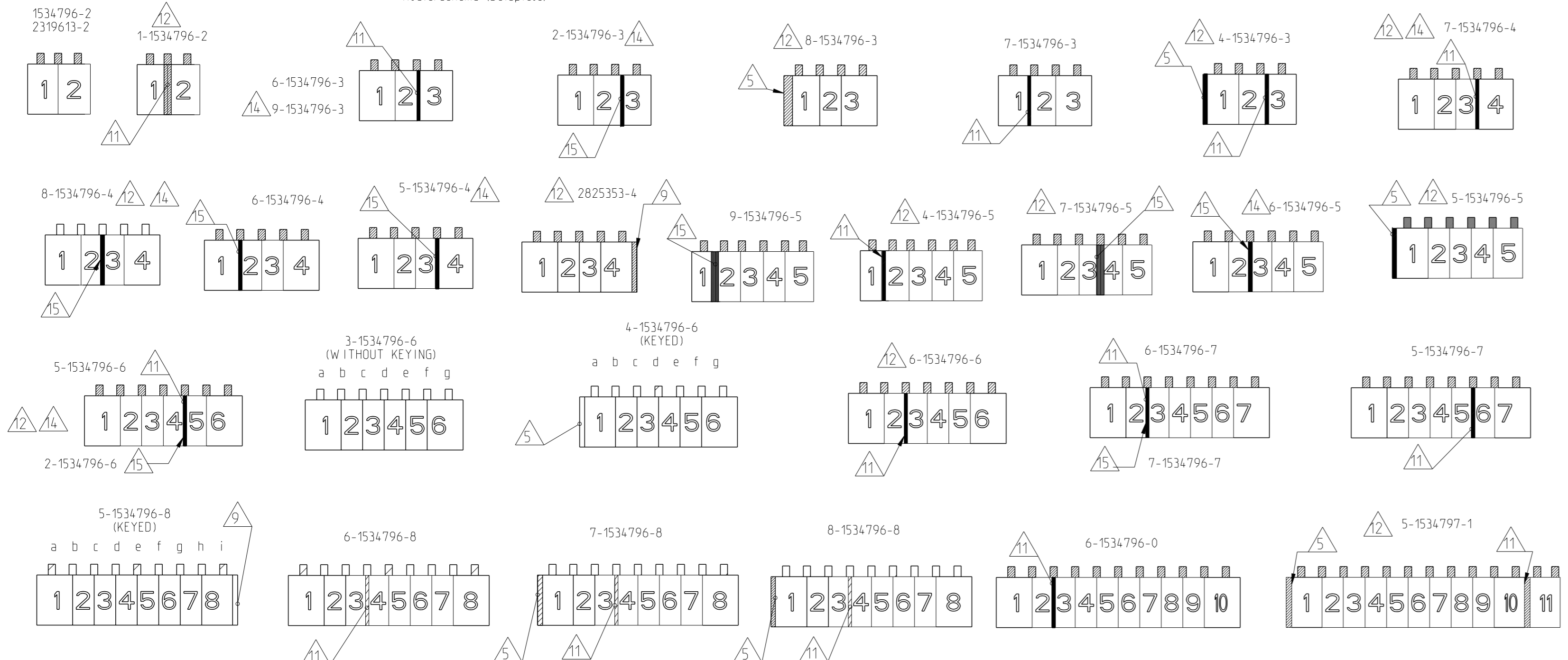
SIZE: A1 CAGE CODE: 00779 DRAWING NO: 1534796

RESTRICTED TO: -

Customer Drawing SCALE: 10:1 SHEET: 2 OF 4 REV: 46

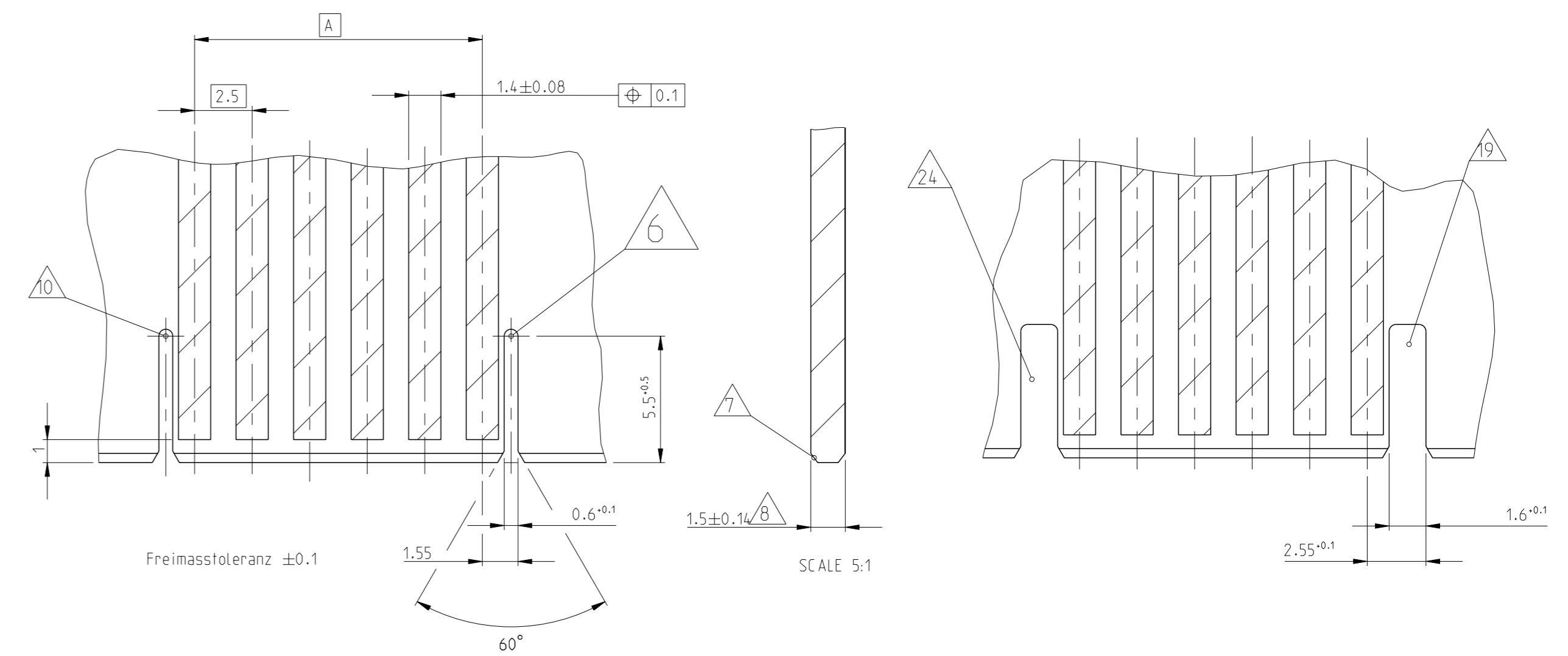
LOC		DIST		REVISIONS				
P	LYR	DATE	OWN	APVD	DESCRIPTION	DATE	OWN	APVD
-	-	-	-	-	SEE SHEET 1	-	-	-

KEYING PLAN (EXAMPLES)
 Kodierschema (Beispiele)

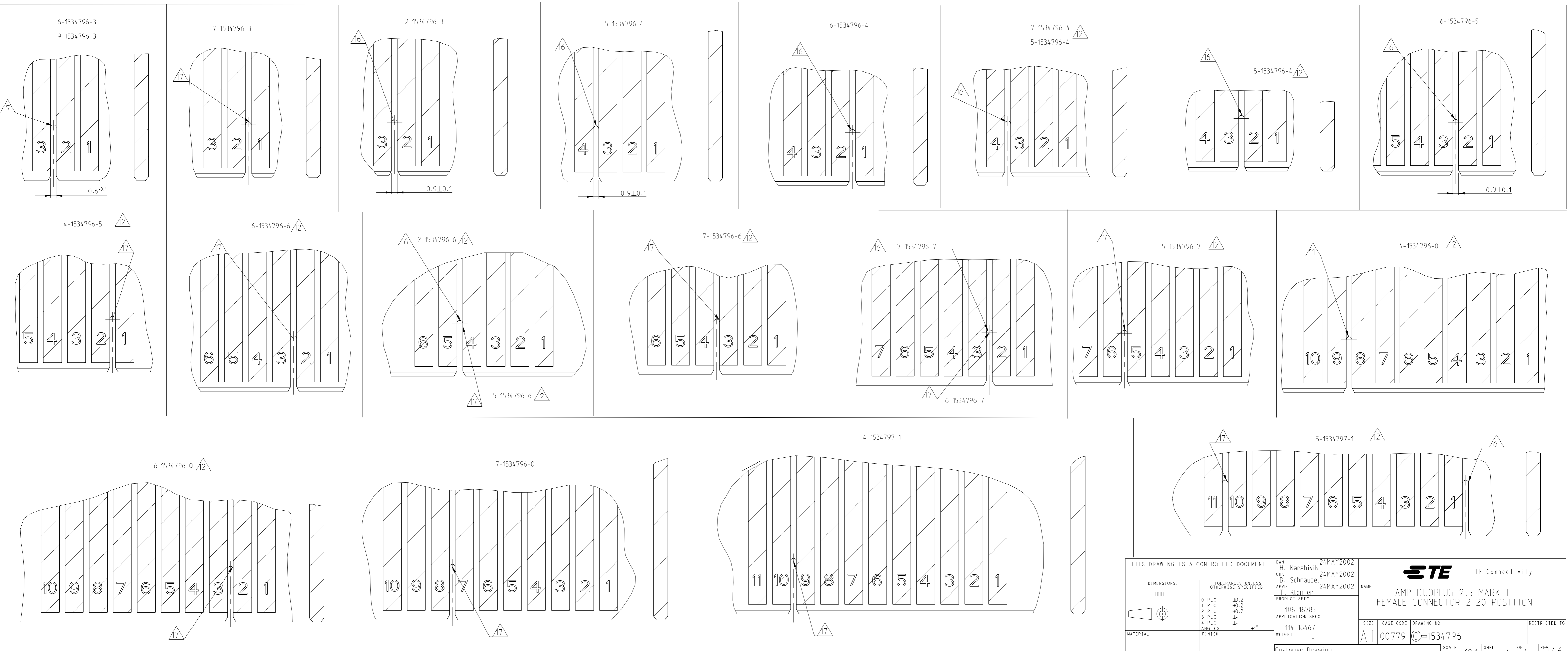


PCB LAYOUT KEYED / CONNECTED ONLY WITH ADDITIONAL FRAME

Leiterplattenanschluss kodiert / nur in Verbindung mit zusätzlichem Rahmen

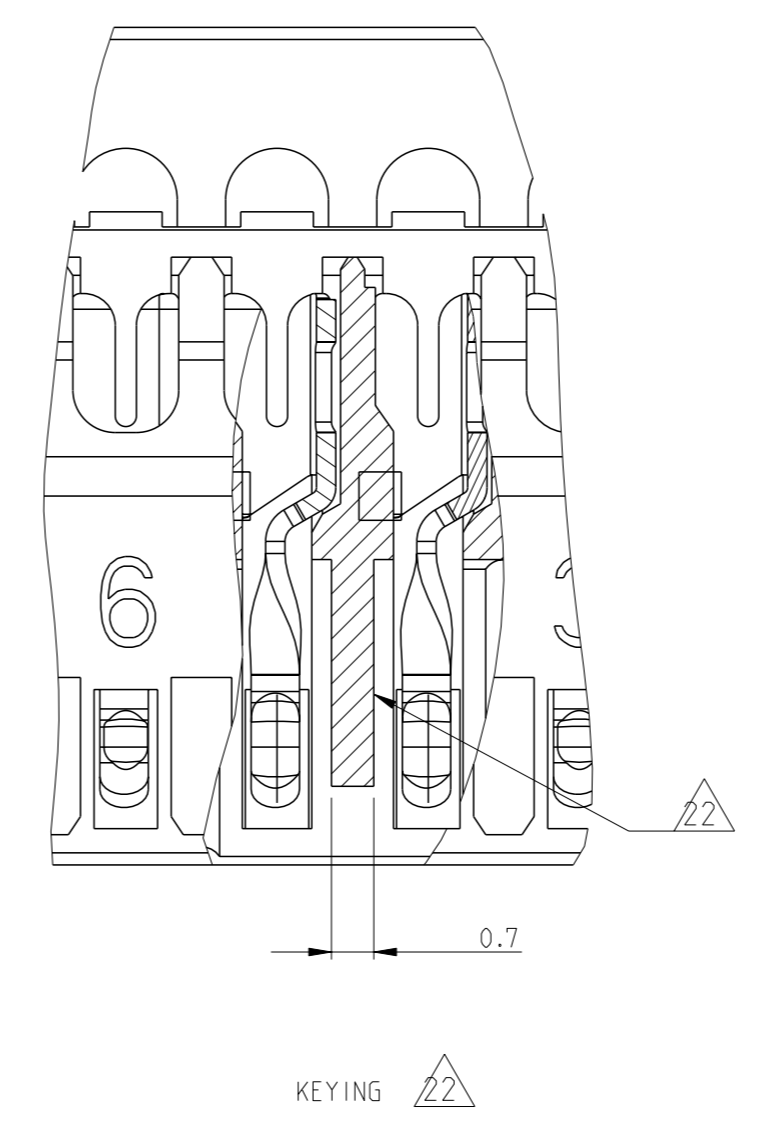
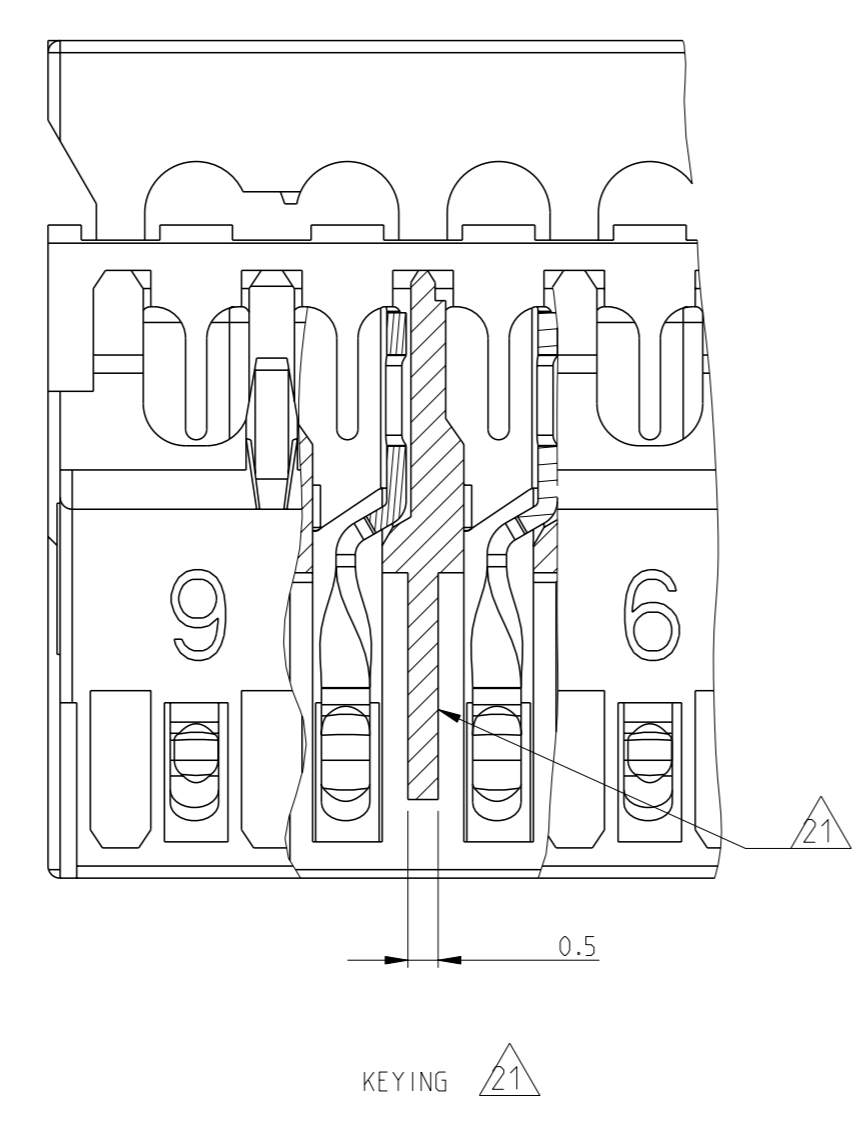


PCB LAYOUT FOR KEYING BETWEEN POSITION

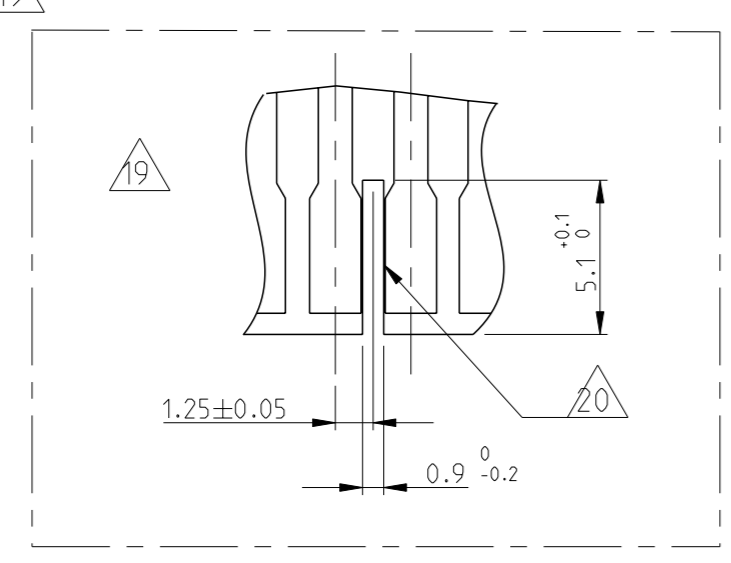


THIS DRAWING IS A CONTROLLED DOCUMENT.		OWN: H. Karabiyik 24MAY2002	TE Connectivity NAME: AMP DUOPLUG 2.5 MARK II FEMALE CONNECTOR 2-20 POSITION SIZE: CAGE CODE DRAWING NO. RESTRICTED TO A1 00779 ©=1534796 3 of 4 REV 46
DIMENSIONS: mm		CHK: B. Schnaubelt 24MAY2002	
TOLERANCES UNLESS OTHERWISE SPECIFIED:		APVD: T. Klenner 24MAY2002	SCALE: 10:1
0 PLC ±0.2	1 PLC ±0.2	PRODUCT SPEC	
2 PLC ±0.2	3 PLC ±0.2	108-18785	
4 PLC ±	ANGLES ±	APPLICATION SPEC	
FINISH ±		114-18467	
MATERIAL		WEIGHT	
		Customer Drawing	

LOC		DIST		REVISIONS			
A1	-	P	LYR	DESCRIPTION	DATE	OWN	APVD
		-		SEE SHEET 1	-	-	-



- 22 KEYING. SPECIAL THICK. BETWEEN POSITION
- 21 KEYING. SPECIAL THIN. BETWEEN POSITION
- 20 SLOT FOR KEYING SPECIAL. BETWEEN POSITION
- 19 RECOMMENDED PCB CUTOFF DIMENSION FOR THE KEYING SPECIAL. BETWEEN POSITION



GWT 750C AND UL VO VERSION									
Color Code	POS. Polzahl	DIM A	DIM B	KEYING 11	KEYING 15	KEYING 22	KEYING 21	KEYING 5	PN Bestell-Nr.
	14	32.5	37.4						2304526-4
	12	27.5	32.4						2304526-2
	10	22.5	27.4						1-2304525-0
Blue	8	17.5	22.4	-	-	-	-		2-2304525-8
	8	17.5	22.4	-	-	-	-		1-2304525-8
Brown	8	17.5	22.4	-	-	-	2/3		2304525-8
	7	15	19.9	-	-	-	-		2304525-7
Black	6	12.5	17.4	-	-	-	-		4-2304525-6
Red	6	12.5	17.4	-	-	-	2/3		2-2304525-6
	6	12.5	17.4	-	-	-	-		1-2304525-6
Blue	6	12.5	17.4	-	-	-	4/5		2304525-6
	5	10	14.9		1/2	-	-		4-2304525-5
Green	5	10	14.9	-	-	-	3/4		2-2304525-5
Brown	5	10	14.9	-	-	-	2/3		1-2304525-5
	5	10	14.9	-	-	-	-		2304525-5
Black	4	7.5	12.4	-	3/4	-	-		4-2304525-4
Blue	4	7.5	12.4	-	-	-	-		3-2304525-4
	4	7.5	12.4	-	-	-	-		2-2304525-4
Brown	4	7.5	12.4	-	-	-	1/2		1-2304525-4
Black	4	7.5	12.4	-	-	-	3/4		2304525-4
Red	3	5	9.9		2/3				3-2302525-3
	3	5	9.9					X	2-2302525-3
	3	5	9.9	-	-	-	-		1-2304525-3
Black	3	5	9.9	-	-	1/2	-		2304525-3

THIS DRAWING IS A CONTROLLED DOCUMENT.

OWN: H. Karabiyik, 24MAY2002
 CHK: B. Schnaubelt, 24MAY2002
 APVD: T. Klenner, 24MAY2002

STE TE Connectivity

NAME: AMP DUOPLUG 2.5 MARK II FEMALE CONNECTOR 2-20 POSITION

PRODUCT SPEC: 108-18785
 APPLICATION SPEC: 114-18467

SIZE: A1, CAGE CODE: 00779, DRAWING NO: 1534796, RESTRICTED TO: -

MATERIAL: -
 FINISH: -
 WEIGHT: -

Customer Drawing, SCALE: 10:1, SHEET: 4 OF 4, REV: 46