

2170903-1 ✓ ACTIVE

Z-PACK | Z-PACK HM-eZd+

TE Internal #: 2170903-1

High Speed Backplane Connectors, Board-to-Board, 80 Position,  
Mating Alignment, Polarization Mating Alignment Type, 8 Row, 10  
Column, Z-PACK HM-eZd+

[View on TE.com >](#)



Connectors > PCB Connectors > Backplane Connectors > High Speed Connectors



Connector System: **Board-to-Board**

Number of Positions: **80**

Row-to-Row Spacing: **4.5 mm [ .177 in ]**

Mating Alignment: **With**

Mating Alignment Type: **Polarization**

## Features

### Product Type Features

Signal Arrangement	Differential
Connector System	Board-to-Board
PCB Connector Assembly Type	PCB Mount Receptacle
Shroud Style	Unshrouded
Sealable	No
Connector & Contact Terminates To	Printed Circuit Board

### Configuration Features

Pairs per Column	4
Card Slot Centerline	25.4 mm
Number of Pairs	40
Number of Positions	80
Number of Rows	8
Number of Columns	10
PCB Mount Orientation	Right Angle

### Electrical Characteristics

Operating Voltage	42 VAC
-------------------	--------

### Contact Features



PCB Contact Termination Area Plating Material Thickness	.5 – 2.5 $\mu\text{m}$ [20 – 100 $\mu\text{in}$ ]
Contact Type	Socket
Contact Mating Area Plating Material Thickness	.76 $\mu\text{m}$ [30 $\mu\text{in}$ ]
Contact Mating Area Plating Material	Gold
PCB Contact Termination Area Plating Material Finish	Matte
Contact Shape & Form	Dual Beam
PCB Contact Termination Area Plating Material	Tin
Contact Base Material	Phosphor Bronze
Contact Current Rating (Max)	.5 A

#### Termination Features

Termination Post & Tail Length	1.7 mm
Termination Method to Printed Circuit Board	Through Hole - Press-Fit

#### Mechanical Attachment

Mating Alignment	With
Mating Alignment Type	Polarization
Connector Mounting Type	Board Mount

#### Housing Features

Number of Shrouded Sides	0
Housing Material	LCP (Liquid Crystal Polymer)
Housing Color	Black
Centerline (Pitch)	2.5 mm[.098 in]

#### Dimensions

PCB Hole Diameter	.46 mm
Row-to-Row Spacing	4.5 mm[.177 in]

#### Usage Conditions

Operating Temperature Range	-55 – 85 $^{\circ}\text{C}$ [-67 – 185 $^{\circ}\text{F}$ ]
-----------------------------	---

#### Operation/Application

Durability Rating	200 Cycles
Shielded	Yes
Circuit Application	Signal

#### Industry Standards

UL Flammability Rating	UL 94V-0
------------------------	----------



### Packaging Features

Packaging Method	Box & Tube
------------------	------------

### Product Compliance

[For compliance documentation, visit the product page on TE.com>](#)

EU RoHS Directive 2011/65/EU	Compliant
EU ELV Directive 2000/53/EC	Compliant
China RoHS 2 Directive MIIT Order No 32, 2016	No Restricted Materials Above Threshold
EU REACH Regulation (EC) No. 1907/2006	Current ECHA Candidate List: JUNE 2022 (224) Candidate List Declared Against: JAN 2021 (211) SVHC > Threshold: Not Yet Reviewed
Halogen Content	Low Halogen - Br, Cl, F, I < 900 ppm per homogenous material. Also BFR/CFR/PVC Free
Solder Process Capability	Not applicable for solder process capability

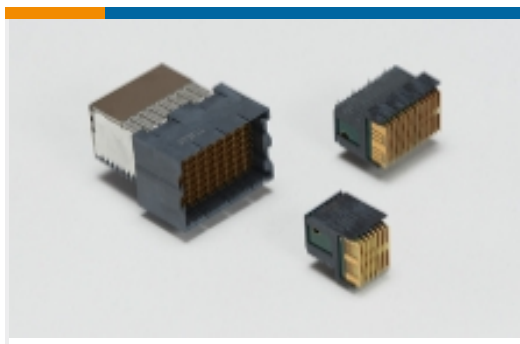
#### Product Compliance Disclaimer

This information is provided based on reasonable inquiry of our suppliers and represents our current actual knowledge based on the information they provided. This information is subject to change. The part numbers that TE has identified as EU RoHS compliant have a maximum concentration of 0.1% by weight in homogenous materials for lead, hexavalent chromium, mercury, PBB, PBDE, DBP, BBP, DEHP, DIBP, and 0.01% for cadmium, or qualify for an exemption to these limits as defined in the Annexes of Directive 2011/65/EU (RoHS2). Finished electrical and electronic equipment products will be CE marked as required by Directive 2011/65/EU. Components may not be CE marked. Additionally, the part numbers that TE has identified as EU ELV compliant have a maximum concentration of 0.1% by weight in homogenous materials for lead, hexavalent chromium, and mercury, and 0.01% for cadmium, or qualify for an exemption to these limits as defined in the Annexes of Directive 2000/53/EC (ELV). Regarding the REACH Regulation, the information TE provides on SVHC in articles for this part number is based on the latest European Chemicals Agency (ECHA) 'Guidance on requirements for substances in articles' posted at this URL: <https://echa.europa.eu/guidance-documents/guidance-on-reach>

### Compatible Parts



Also in the Series | **Z-PACK HM-eZd+**



High Speed Backplane Connectors(4)

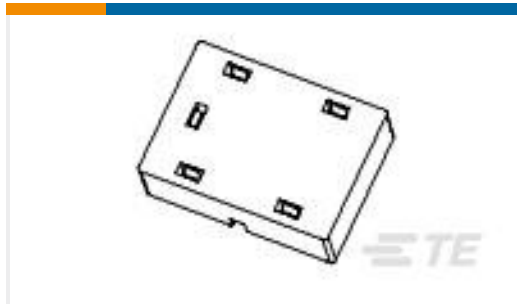
## Customers Also Bought



TE Part #2065657-1  
zd Plus, 4 pair, receptacle assy



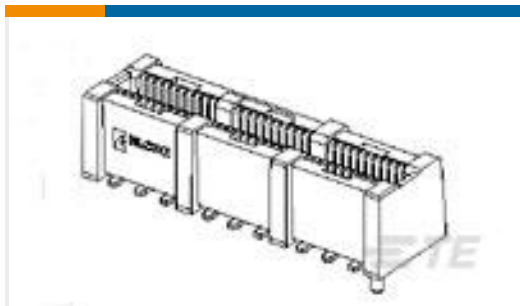
TE Part #1-1469491-4  
MULTIGIG RT GUIDE PIN, 9MM 5.70



TE Part #1423682-1  
27E1064=SOCKET,PCB,T7C/T7N



TE Part #5535676-5  
06 MODII HORZ SR CE 100CL



TE Part #6651712-1  
284-0162-03003=TA CONN,SKT



TE Part #3-1625867-8  
RP 1J 0.166W 15R 0.1% 25PPM 1K RL



TE Part #9-2176378-7  
RQ 0805 100R 0.1% 10PPM 5K RL



TE Part #3-2176389-6  
RQ 1206 249R 0.1% 10PPM 5K RL



TE Part #1612773-4  
SEMI-HARD TRAY DDR2 SODIMM  
SOCKET 200P 6



TE Part #3-1879212-7  
CPF 0402 49K9 0.1% 25PPM 5K RL

## Documents

### Product Drawings

[RECEPTACLE HM-EZD+, 4PAIRS 10COLUMNS](#)

English

### CAD Files

[3D PDF](#)

3D

[Customer View Model](#)

[ENG\\_CVM\\_CVM\\_2170903-1\\_A.2d\\_dxf.zip](#)



English

**Customer View Model**

[ENG\\_CVM\\_CVM\\_2170903-1\\_A.3d\\_igs.zip](#)

English

**Customer View Model**

[ENG\\_CVM\\_CVM\\_2170903-1\\_A.3d\\_stp.zip](#)

English

By downloading the CAD file I accept and agree to the [Terms and Conditions](#) of use.

---

**Product Specifications**

[Application Specification](#)

English

---

**Product Environmental Compliance**

[Product Compliance](#)

English

[Product Compliance](#)

English