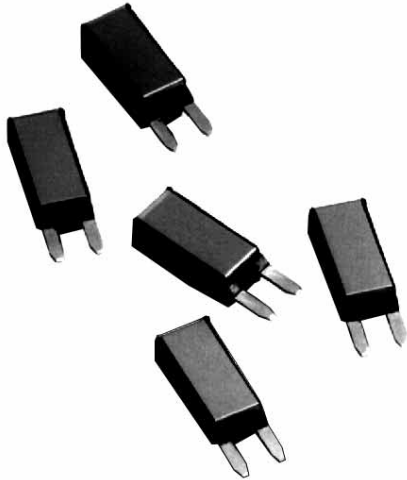


# MINI Circuit Breakers

# Series 210

## Automotive & Modified Reset Circuit Breakers



### Series 210 Mini

Auto & Modified Reset Circuit Protectors

### SPECIFICATIONS

#### Single Pole Thermal Type Breakers

**Ratings:** 10A, 15A, 20A, 25A; Voltage of 14VDC.

**Operating Temperature:** -40°F (-40°C) to 185°F (85°C).

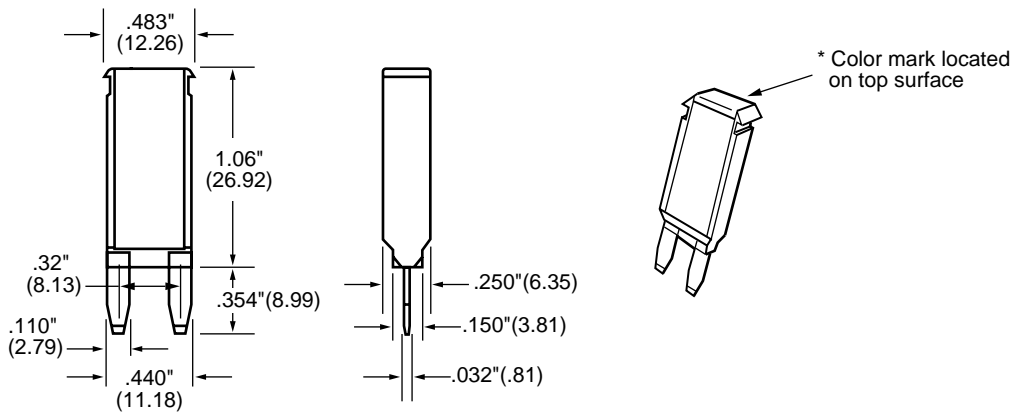
**Storage Temperature:** -40°F (-40°C) to 260°F (125°C).

**Cover:** Gray plastic housing with standard gold cover (Type I) or silver cover (Type II).

**Marking:** Standard marking includes amp/volt ratings, part number, and date code.

**Termination Type:** Compatible with 280 Type fuse blocks using 8.1mm centerline.

**Approvals:** Complies with SAE standard J553 Type I and Type II Circuit Breakers.



### PART NUMBERING SYSTEM

#### Series



211 – Type I, 14VDC  
212 – Type II, 14VDC

#### Rating\*



10 – 10 amps (Red)  
15 – 15 amps (Blue)  
20 – 20 amps (Yellow)  
25 – 25 amps (White)

#### Marking



00 – Std. Marking  
(Consult Factory for Special Options)

#### Special Options



(Consult Factory for Special Options)