



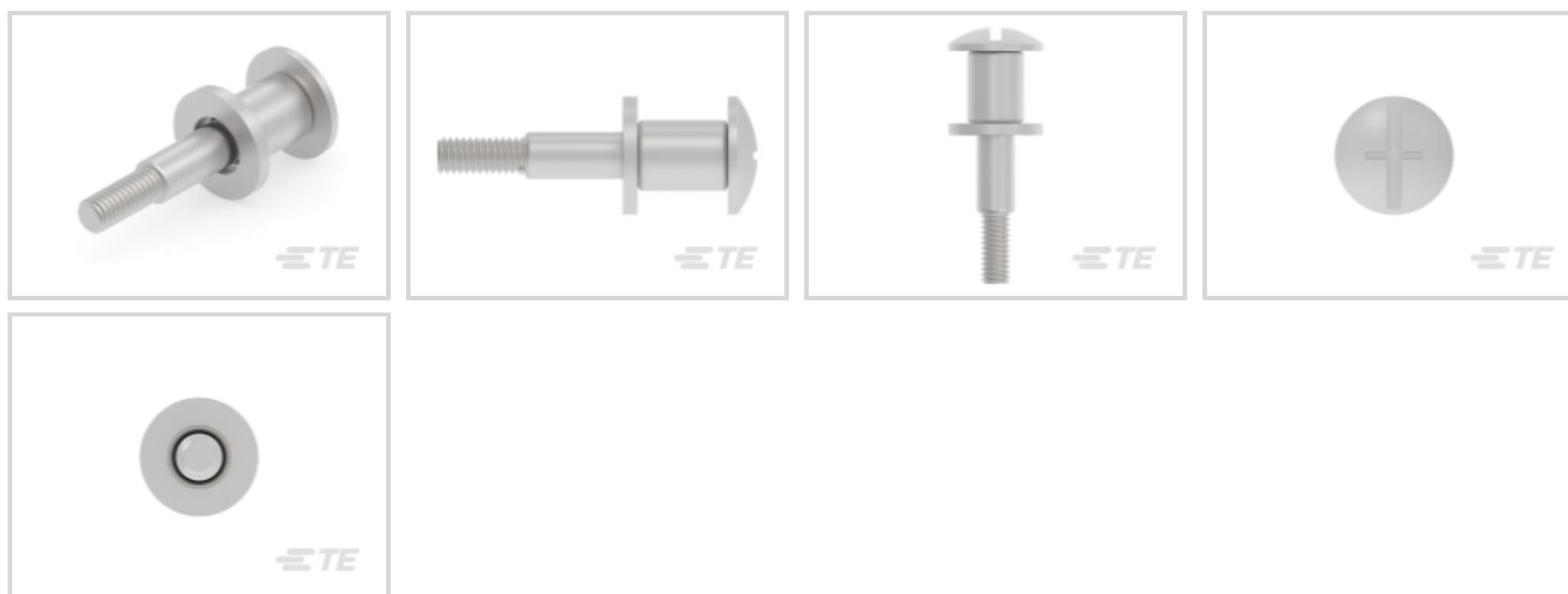
METRIMATE

TE Internal #: 213283-2

Rectangular Connector Hardware, Screw Kit, Wire-to-Panel, Wire & Cable, Power & Signal, Panel Mount, -55 – 130 °C [-67 – 266 °F]

[View on TE.com >](#)

Connectors > Rectangular Connectors > Rectangular Connector Accessories > Rectangular Connector Hardware



Hardware Type: **Screw Kit**

Connector System: **Wire-to-Panel**

Sealable: **No**

Connector & Contact Terminates To: **Wire & Cable**

Circuit Application: **Power & Signal**

Features

Product Type Features

Product Type	Accessory
Connector System	Wire-to-Panel
Sealable	No
Connector & Contact Terminates To	Wire & Cable

Body Features

Material	Stainless Steel
----------	-----------------

Mechanical Attachment

Screw & Hole Thread Size	M4 x 0.7-6G
Hardware Type	Screw Kit
Connector Mounting Type	Panel Mount

Dimensions

Length	31.09 mm[1.224 in]
--------	--------------------

Usage Conditions

Operating Temperature Range	-55 – 130 °C[-67 – 266 °F]
-----------------------------	----------------------------

Operation/Application

For Use With	Plug Housing
Circuit Application	Power & Signal

Packaging Features

Packaging Quantity	1
Packaging Method	Bag

Product Compliance

[For compliance documentation, visit the product page on TE.com>](#)

EU RoHS Directive 2011/65/EU	Compliant
EU ELV Directive 2000/53/EC	Compliant
China RoHS 2 Directive MIIT Order No 32, 2016	No Restricted Materials Above Threshold
EU REACH Regulation (EC) No. 1907/2006	Current ECHA Candidate List: JUNE 2022 (224) Candidate List Declared Against: JUL 2021 (219) SVHC > Threshold: Not Yet Reviewed
Halogen Content	Low Halogen - Br, Cl, F, I < 900 ppm per homogenous material. Also BFR/CFR/PVC Free
Solder Process Capability	Not applicable for solder process capability

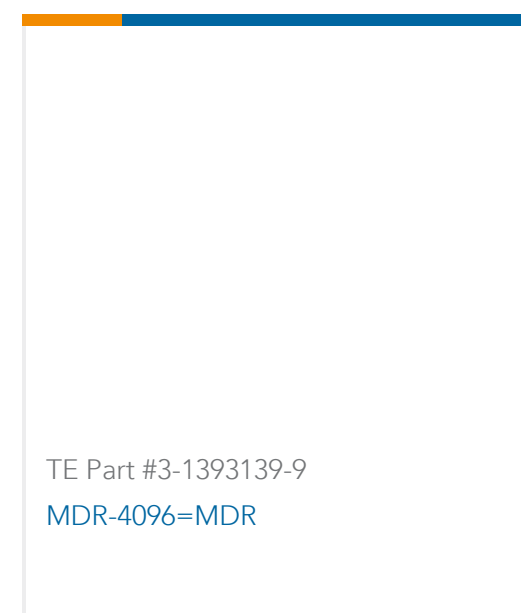
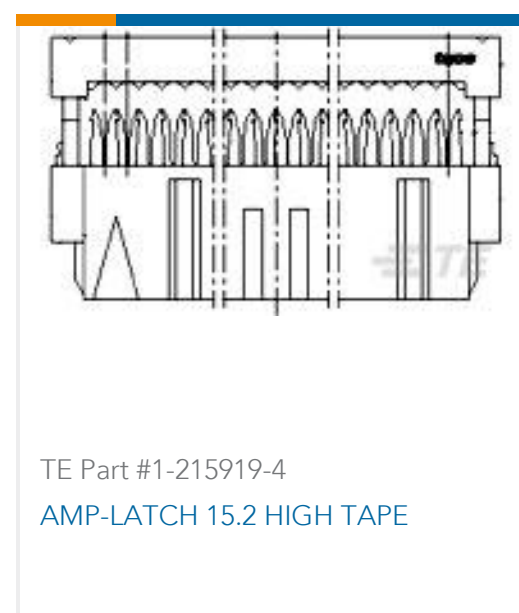
Product Compliance Disclaimer

This information is provided based on reasonable inquiry of our suppliers and represents our current actual knowledge based on the information they provided. This information is subject to change. The part numbers that TE has identified as EU RoHS compliant have a maximum concentration of 0.1% by weight in homogenous materials for lead, hexavalent chromium, mercury, PBB, PBDE, DBP, BBP, DEHP, DIBP, and 0.01% for cadmium, or qualify for an exemption to these limits as defined in the Annexes of Directive 2011/65/EU (RoHS2). Finished electrical and electronic equipment products will be CE marked as required by Directive 2011/65/EU. Components may not be CE marked. Additionally, the part numbers that TE has identified as EU ELV compliant have a maximum concentration of 0.1% by weight in homogenous materials for lead, hexavalent chromium, and mercury, and 0.01% for cadmium, or qualify for an exemption to these limits as defined in the Annexes of Directive 2000/53/EC (ELV). Regarding the REACH Regulation, the information TE provides on SVHC in articles for this part number is based on the latest European Chemicals Agency (ECHA) 'Guidance on requirements for substances in articles' posted at this URL: <https://echa.europa.eu/guidance-documents/guidance-on-reach>

Compatible Parts



Customers Also Bought



Documents

Product Drawings

[HARDWARE KIT, DRAWER CONN](#)

English

CAD Files

Customer View Model

[ENG_CVM_CVM_213283-2_H.2d_dxf.zip](#)

English

3D PDF

3D

Customer View Model

[ENG_CVM_CVM_213283-2_H.3d_igs.zip](#)

English

Customer View Model

[ENG_CVM_CVM_213283-2_H.3d_stp.zip](#)

English

By downloading the CAD file I accept and agree to the [Terms and Conditions](#) of use.



Datasheets & Catalog Pages

[METRIMATE_PIN_SOCKET_CATALOG](#)

English

Product Specifications

[Application Specification](#)

English

Product Environmental Compliance

[TE Material Declaration](#)

English