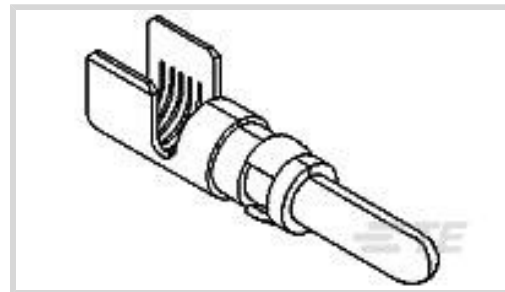




Connectors > Power Connectors > Power Contacts > POWERBAND CONTACTS



Power Contact Type: **Contact**

Operating Voltage: **600 VDC**

Contact Mating Area Plating Material: **Silver**

Wire Size: **10 – 8 AWG**

[All POWERBAND CONTACTS \(20\)](#)

Features

Product Type Features

Power Contact Type	Contact
Connector System	Wire-to-Wire
Sealable	No
Connector & Contact Terminates To	Wire & Cable

Configuration Features

Number of Positions	1
---------------------	---

Electrical Characteristics

Test Current	50 A
Operating Voltage	600 VDC

Contact Features

Contact Mating Area Plating Material	Silver
Contact Current Rating (Max)	50 A
Contact Type	Pin
Contact Retention Within Housing	With
Mating Pin Diameter	3.18 mm [.125 in]
Contact Base Material	Copper
Contact Mating Area Plating Material Thickness	5.08 μm [200 μin]



Contact Mating Area Plating Material Finish	Semi-Bright
Wire Contact Termination Area Plating Thickness	1.27 μm[50 μin]
Wire Contact Termination Area Plating Material	Silver
Wire Contact Termination Area Plating Material Finish	Semi-Bright
Contact Orientation	Straight
Contact Underplating Material	Nickel
Contact Underplating Material Thickness	1.27 μm[50 μin]
Contact Size	8

Termination Features

Termination Method to Wire & Cable	Crimp
------------------------------------	-------

Mechanical Attachment

Wire Insulation Support	Without
-------------------------	---------

Dimensions

Wire Size	5 – 8 mm ²
-----------	-----------------------

Usage Conditions

Operating Temperature Range	-55 – 105 °C[-67 – 221 °F]
-----------------------------	----------------------------

Operation/Application

Circuit Application	Power
---------------------	-------

Packaging Features

Packaging Method	Carton
Packaging Quantity	100

Other

For Use With	CPC Connectors
--------------	----------------

Product Compliance

[For compliance documentation, visit the product page on TE.com>](#)

EU RoHS Directive 2011/65/EU	Compliant
EU ELV Directive 2000/53/EC	Compliant
China RoHS 2 Directive MIIT Order No 32, 2016	No Restricted Materials Above Threshold
EU REACH Regulation (EC) No. 1907/2006	Current ECHA Candidate List: JUNE 2022 (224) Candidate List Declared Against: JAN 2022 (223)



SVHC > Threshold:
Not Yet Reviewed

Halogen Content

Low Halogen - Br, Cl, F, I < 900 ppm per homogenous material. Also BFR/CFR/PVC Free

Solder Process Capability

Not applicable for solder process capability

Product Compliance Disclaimer

This information is provided based on reasonable inquiry of our suppliers and represents our current actual knowledge based on the information they provided. This information is subject to change. The part numbers that TE has identified as EU RoHS compliant have a maximum concentration of 0.1% by weight in homogenous materials for lead, hexavalent chromium, mercury, PBB, PBDE, DBP, BBP, DEHP, DIBP, and 0.01% for cadmium, or qualify for an exemption to these limits as defined in the Annexes of Directive 2011/65/EU (RoHS2). Finished electrical and electronic equipment products will be CE marked as required by Directive 2011/65/EU. Components may not be CE marked. Additionally, the part numbers that TE has identified as EU ELV compliant have a maximum concentration of 0.1% by weight in homogenous materials for lead, hexavalent chromium, and mercury, and 0.01% for cadmium, or qualify for an exemption to these limits as defined in the Annexes of Directive 2000/53/EC (ELV). Regarding the REACH Regulation, the information TE provides on SVHC in articles for this part number is based on the latest European Chemicals Agency (ECHA) 'Guidance on requirements for substances in articles' posted at this URL: <https://echa.europa.eu/guidance-documents/guidance-on-reach>

Compatible Parts



TE Part # CAT-AM71-C83998K
CPC SERIES 6



TE Part # CAT-AM71-C83998U
CPC SERIES 5



TE Part # 213906-1
CPC PLUG ASSY,SRS 6,SZ 17-10



TE Part # 69710-1
C-HEAD FRAME W/O DIES



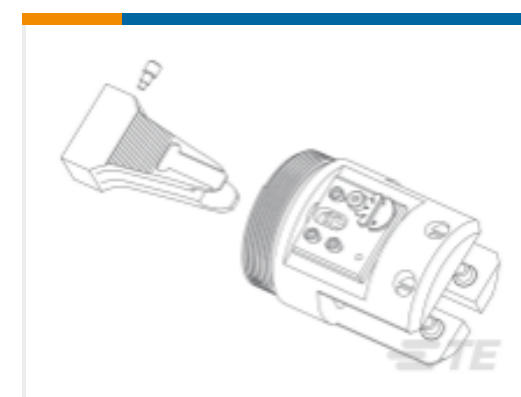
TE Part # 318813-1
EXTRACTION TOOL ASSY



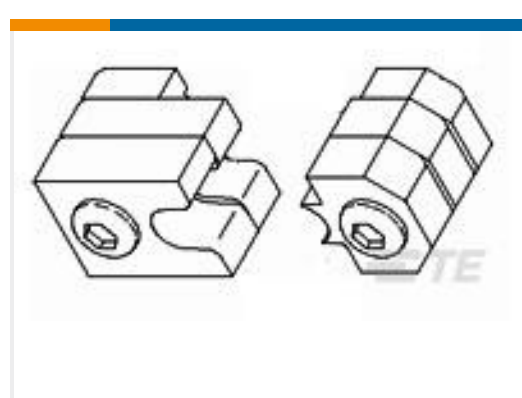
TE Part # 213899-1
CPC SEAL ASSY KIT,SRS 5,17-3



TE Part # 213900-1
CPC SEAL ASSY KIT,SRS 6,17-10



TE Part # 356304-1
TOOL HOLDER ASSY, STRHT ACTION



TE Part # 356611-1
DIES POWERBAND CONT 8 AWG DIE SET



TE Part # 356611-2
DIES POWERBAND CONT 10 AWG DIE SET

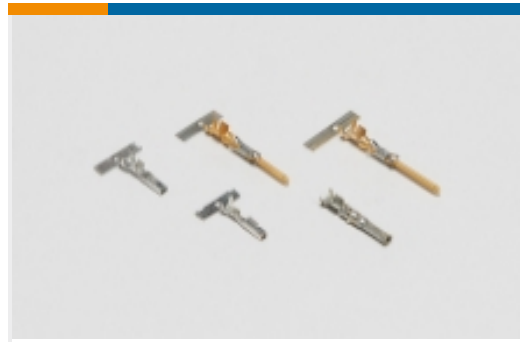


TE Part # 197889-1
ANVIL HOLDER

Also in the Series | AMP POWERBAND



Insertion & Extraction Tools(1)

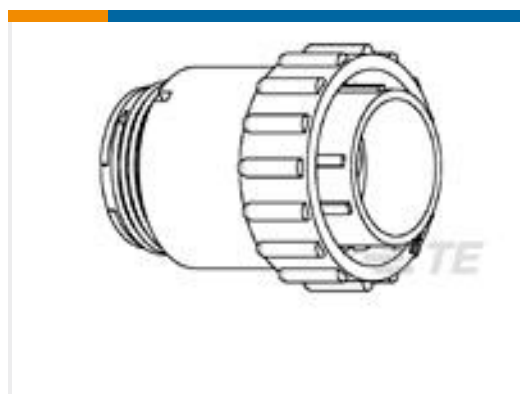


Power Contacts(20)

Customers Also Bought



TE Part #796203-1
CPC SERIES 6 SEALED TWO-PIECE



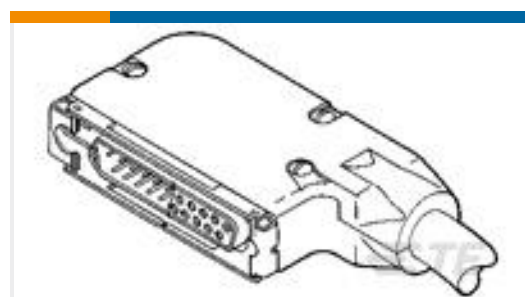
TE Part #788188-1
CPC 17-3 PLUG ASY,REV SEX



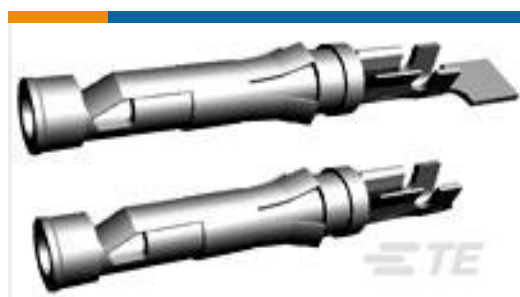
TE Part #213843-2
POWERBAND CONTACTS



TE Part #213893-1
CPC RCPT,FLNGE MNT,SRS 6,17-10



TE Part #5745652-3
DIECAST STRAIN RELIEF KIT,SZ 2



TE Part #66428-3
III+ SKT,30-26,15AU/FL,LP

Documents

Product Drawings

POWERBAND CONT ASSY,SILVER PLT

English

CAD Files

3D PDF

English

Customer View Model

[ENG_CVM_213841-3_B.2d_dxf.zip](#)

English

Customer View Model

[ENG_CVM_213841-3_B.3d_igs.zip](#)

English

Customer View Model

[ENG_CVM_213841-3_B.3d_stp.zip](#)



English

By downloading the CAD file I accept and agree to the [Terms and Conditions](#) of use.

Datasheets & Catalog Pages

[AMP Circular Connectors for Commercial Signal & Power Applications](#)

English

[Power Contacts](#)

English

[METRIMATE_PIN_SOCKET_CATALOG](#)

English

Product Specifications

[Application Specification](#)

English

Product Environmental Compliance

[TE Material Declaration](#)

English

Agency Approvals

[Agency Approval Document](#)

English