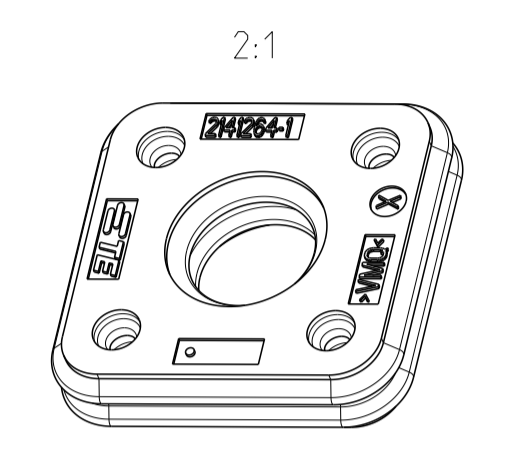
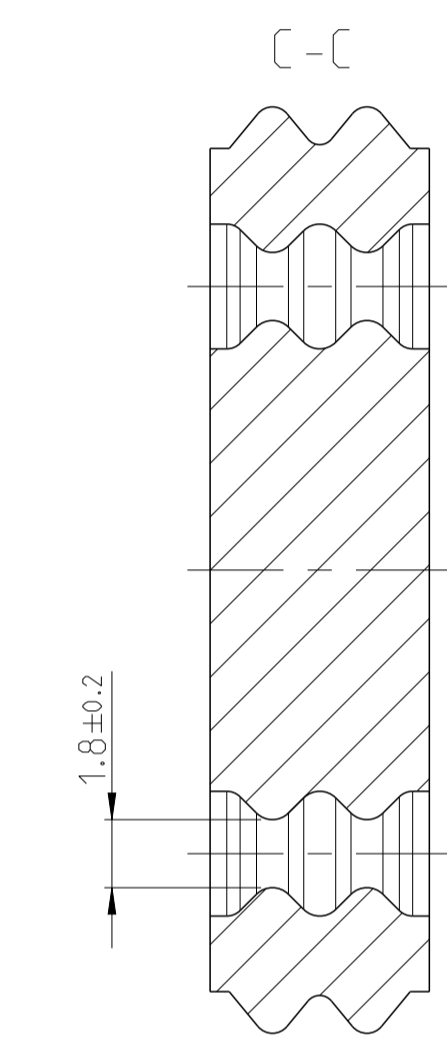
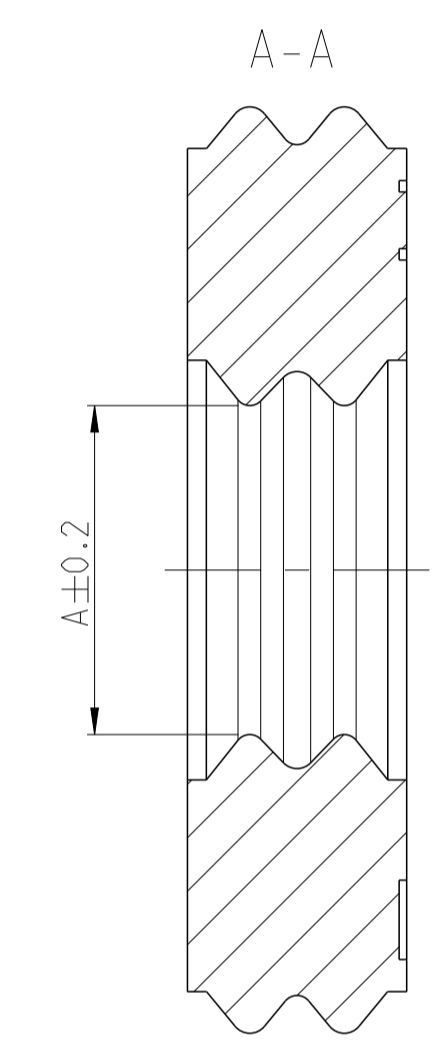
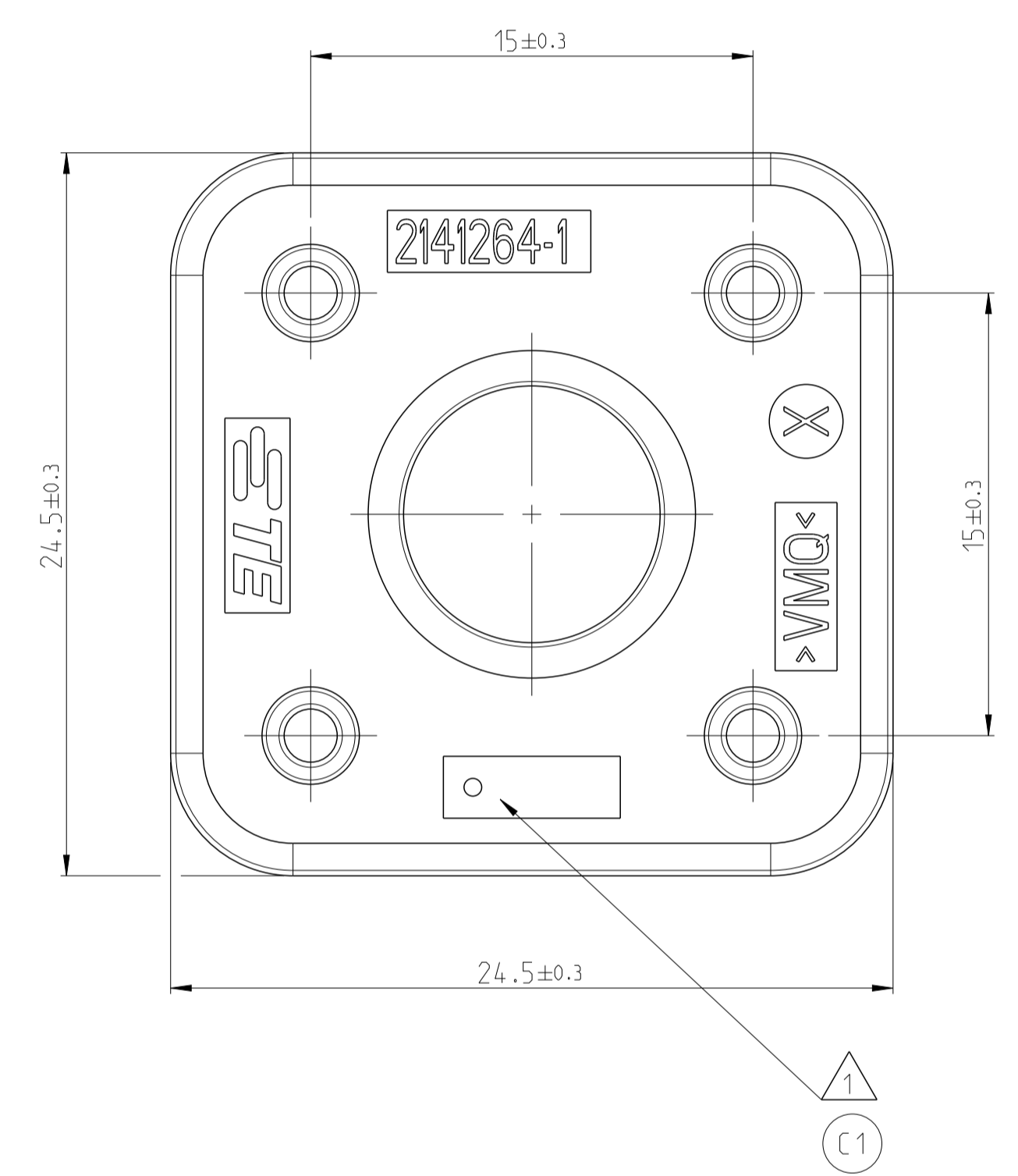


| LOC | | DIST | | REVISIONS | | | |
|-----|-----|--------------------------------------|-----------|-----------|------|--|--|
| P | LTN | DESCRIPTION | DATE | DMN | APVD | | |
| C | | 0-2141264-3 Durchmesser 9.4 war 10.0 | 27MAY2015 | RSC | FWI | | |
| C1 | | Revisionspunkte in Tabelle hinzu | 24NOV2016 | RSC | KKI | | |



| TE ORDER NO. | REV | DESCRIPTION | DIMENSION A | FOR WIRE ISOLATION DIAMETER [mm] | MATERIAL | WEIGHT [g] | COLOUR |
|--------------|----------------------------|-----------------------------------------------------------------------------|-------------|----------------------------------|----------|------------|--------|
| 2141264-4 | A (1 DOT) | SINGLE WIRE SEAL, AMP MCP6.3/4.8K Kabeldichtung einzeln, AMP MCP6.3/4.8K | 11.5 | 12.2 - 12.8 | SILICON | 3 | YELLOW |
| 2141264-3 | B (3 DOTS) ^(C1) | | 9.4 | 10.7 - 11.3 | | | BLUE |
| 2141264-2 | - | | 8.2 | 9.3 - 9.9 | | | GREEN |
| 2141264-1 | - | | 8.7 | 9.9 - 10.5 | | | WHITE |

| NOTE Bem. | FEATURE Merkmal | TE-PART-NO. Teil-Nr. |
|-----------|---------------------------------------------|----------------------|
| 1 | ENTIRE ASSEMBLY SEE Gesamtzusammenbau siehe | 114-94100-1 |
| 2 | PRODUCT-SPEC. Produkt-Spez. | 108-94264 |
| 3 | APPLICATION SPEC. Verarbeitungsspez. | 114-94100 |

THIS DRAWING IS A CONTROLLED DOCUMENT. DIMENSIONING AND TOLERANCING PER GPS (ISO STANDARDS).

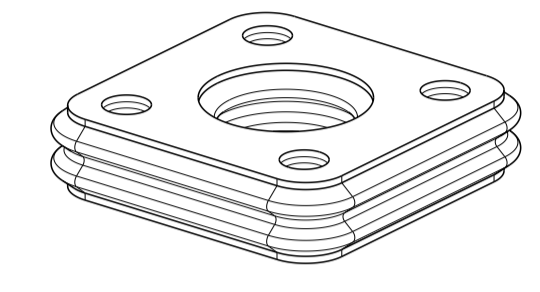
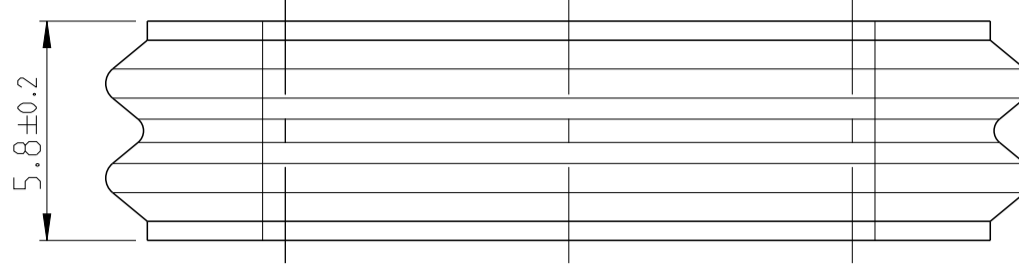
DMN: Vishwa A 08FEB2011
 CHK: U.Hoedinger 28APR2011
 APVD: T.Reissenegger 04MAY2011

NAME: SINGLE WIRE SEAL, AMP MCP6.3/4.8K
 Kabeldichtung einzeln, AMP MCP6.3/4.8K

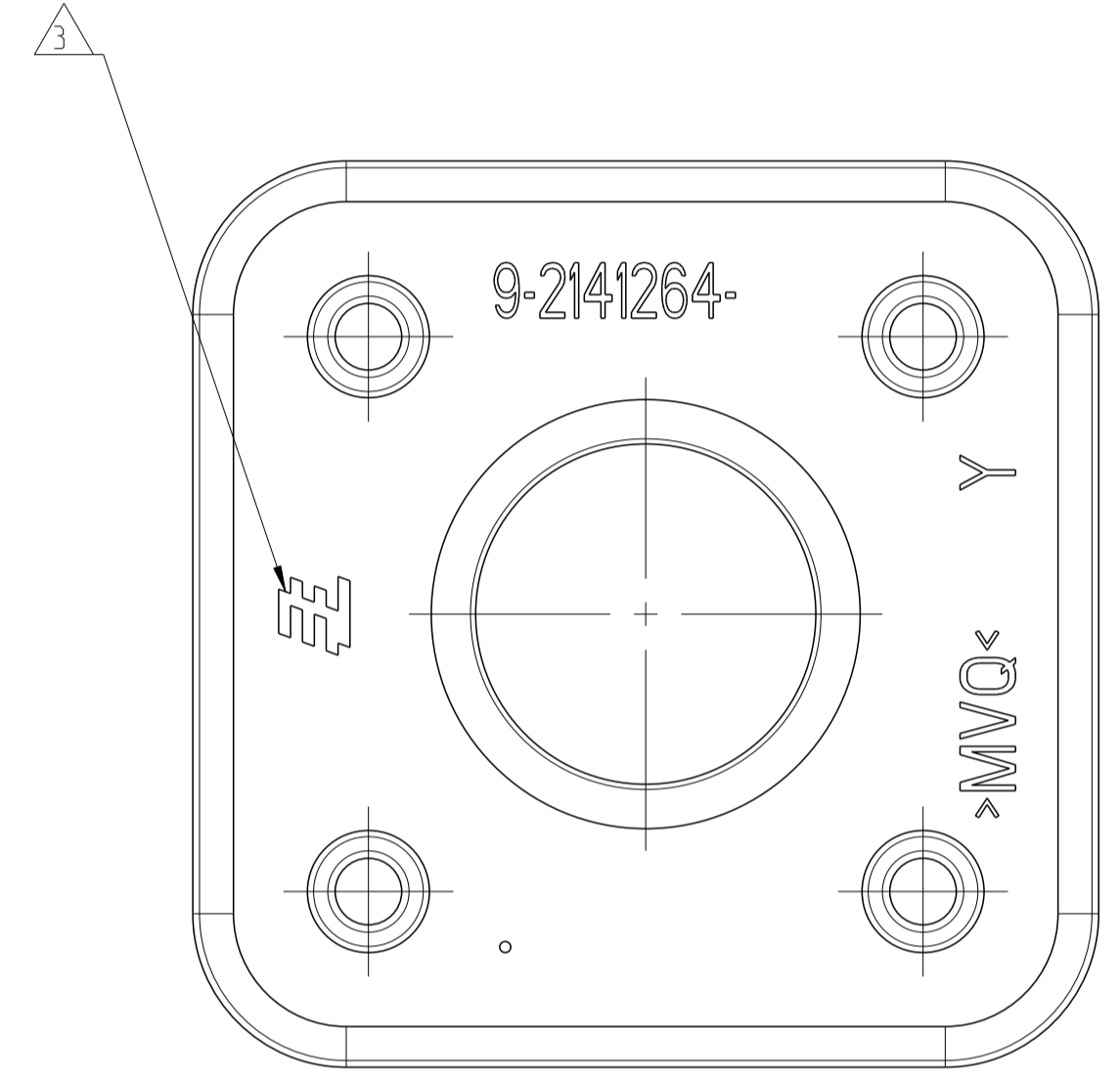
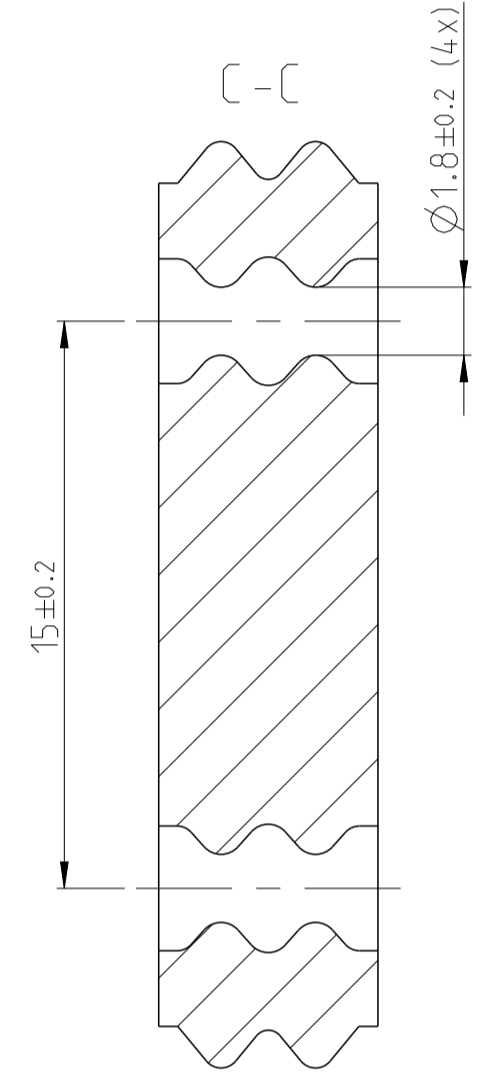
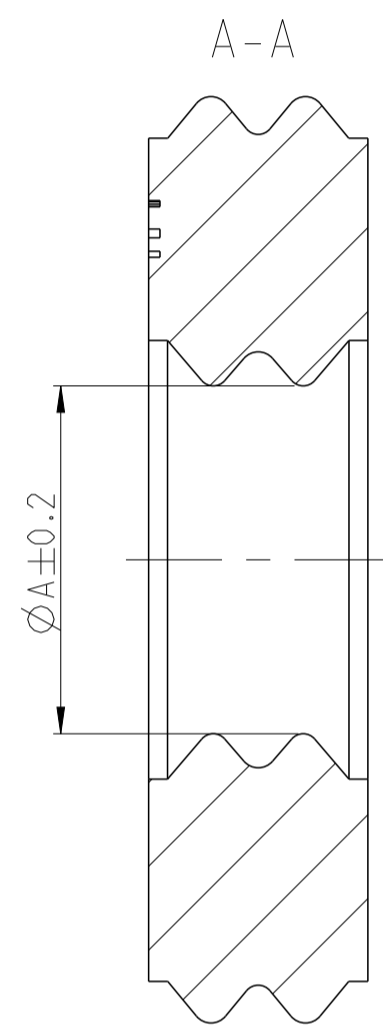
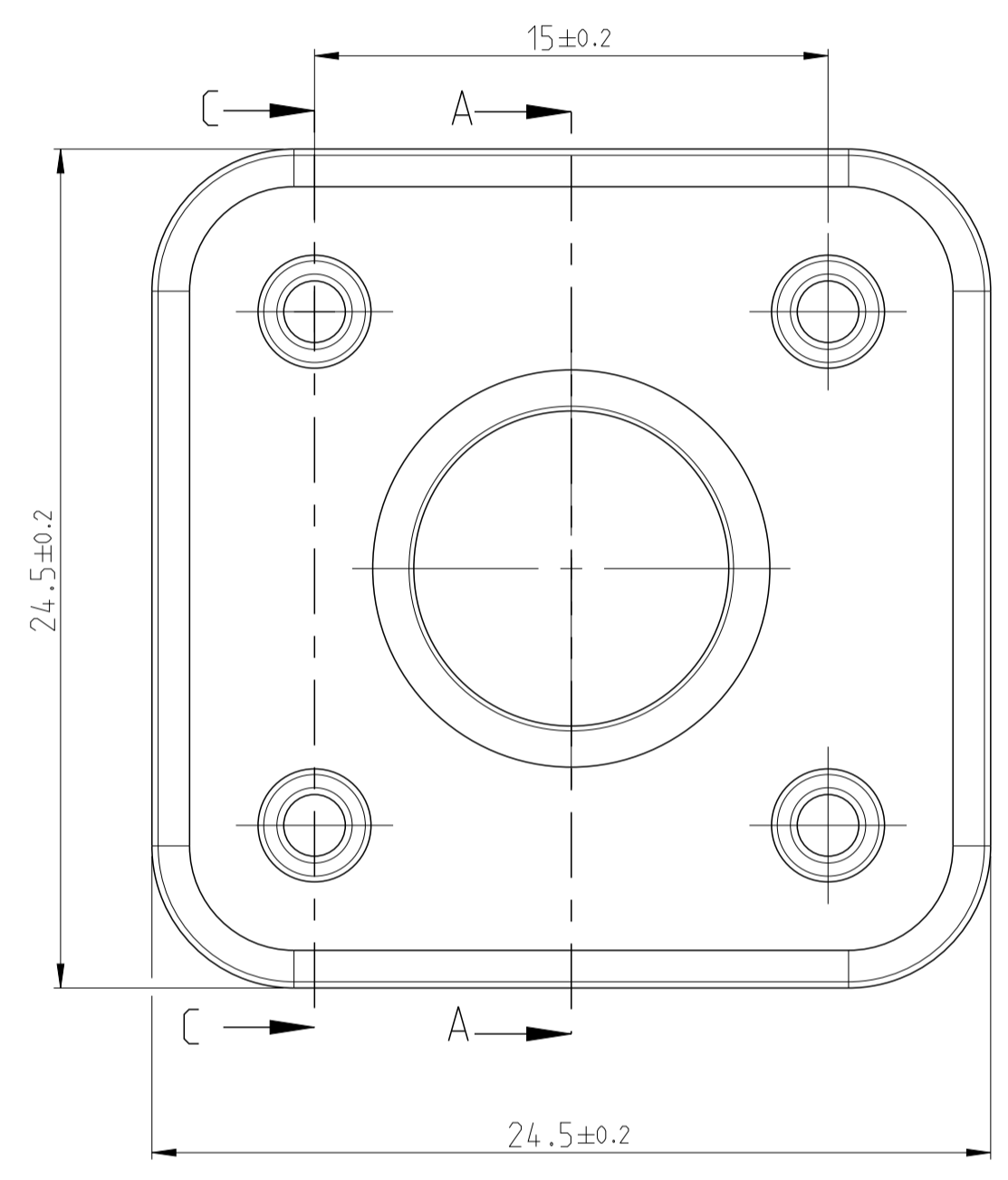
TE Connectivity

SIZE: A1 00779 C=2141264
 SCALE: 5:1 SHEET 1 OF 2 REV: C1

| | | | | | | |
|-------------|------|-------------|-----|------|-----|------|
| LOC | DIST | REVISIONS | | DATE | DWN | APVD |
| A1 | - | P | LTA | | | |
| PROJKT NR.: | | SEE SHEET 1 | | | | |
| | | | | | | |
| | | | | | | |



2:1



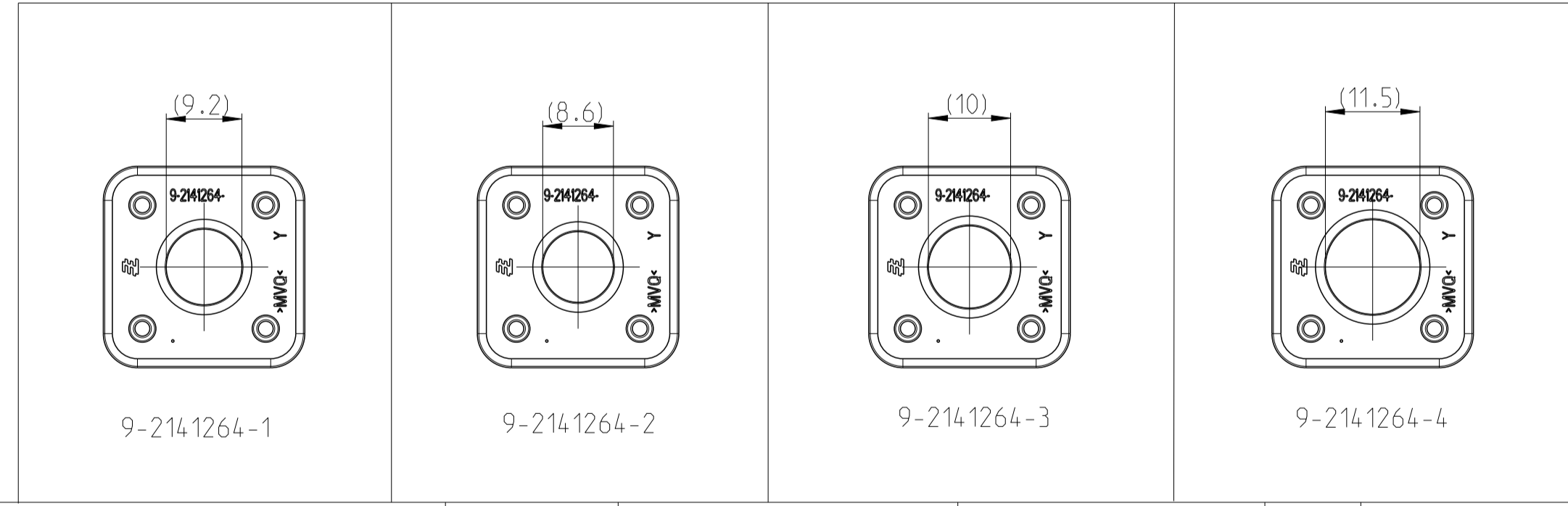
NOTES:

Bemerkungen:

- 1 ONLY THE GERMAN LANGUAGE IS AUTHORITATIVE
Maßgebend ist der deutsche Text
- 2 PACKAGING: BULK PACKAGING IN AIRTIGHT PE-PACKET
Verpackung: Schüttgut in PE-Beutel luftdicht verpackt

3 SUPPLIER-MARK
Lieferanten Kennzeichnung

| NOTE Bem. | FEATURE Merkmal | TE-PART-NO. Teil-Nr. |
|-----------|---------------------------------------------|----------------------|
| 4 | ENTIRE ASSEMBLY SEE Gesamtzusammenbau siehe | 114-94100-1 |
| 5 | PRODUCT-SPEC. Produkt-Spez. | 108-94264 |
| 6 | APPLICATION SPEC. Verarbeitungsspez. | 114-94100 |



| TE ORDER NO. | REV | DESCRIPTION | DIMENSION A | FOR WIRE ISOLATION DIAMETER [mm] | MATERIAL | WEIGHT [g] | COLOUR |
|--------------|-----|-----------------------------------------------------------------------------|-------------|----------------------------------|----------|------------|---------|
| 9-2141264-4 | A | SINGLE WIRE SEAL, AMP MCP6.3/4.8K Kabeldichtung einzeln, AMP MCP6.3/4.8K | 11.5 | 12.2 - 12.8 | SILICON | 3 | YELLOW |
| 9-2141264-3 | A | | 10 | 10.7 - 11.3 | | | NATURAL |
| 9-2141264-2 | A | | 8.6 | 9.3 - 9.9 | | | GREEN |
| 9-2141264-1 | A | | 9.2 | 9.9 - 10.5 | | | WHITE |
| 9-2141264-1 | A | | 9.2 | 9.9 - 10.5 | | | WHITE |

| | | | | | | | | | | | | | | | | | | | | |
|-----------------------------------------------------------------------------------------------------------------------------------------------------------------------------------------------------------------------------------------------|-----|---------------------------------------------------------------------------------|-----|-----------------------------------------------------------------------------------|---|-----|---|---|-----|---|---|-----|---|---|-----|---|--------------------------------------|--|----------|--|
| TOLERANCES UNLESS OTHERWISE SPECIFIED ACC. TO DIN 16901-140 CENTRIC TO NOMINAL DIMENSION. EDITION 1982-11 SHALL APPLY. Toleranzen außer anders angegeben nach DIN 16901-140. Es gilt die Ausgabe 1982-11. | | PRODUCT CHARACTERISTICS ACC. QMP EMEA_12 BESONDERE MERKMALE NACH QMP EMEA_12 | | TOLERANCING ISO 8015 TOLERIERUNG ISO 8015 | | | | | | | | | | | | | | | | |
| THIS DRAWING IS A CONTROLLED DOCUMENT. Dieses Zeichnungsblatt ist ein durch AMP kontrolliertes Dokument. Änderungen sind ohne schriftliche Genehmigung nicht zulässig. | | DWN: Vishwa A 08FEB2011 CHK: U.Hoedinger 28APR2011 | | NAME: SINGLE WIRE SEAL, AMP MCP6.3/4.8K Kabeldichtung einzeln, AMP MCP6.3/4.8K | | | | | | | | | | | | | | | | |
| DIMENSIONS: MASSENHEITEN (mm) | | TOLERANCES UNLESS OTHERWISE SPECIFIED: ALLE TOLERANZEN | | APVD: I. Reissenegger 04MAY2011 | | | | | | | | | | | | | | | | |
| <table border="1"> <tr><td>0</td><td>PLC</td><td>±</td></tr> <tr><td>1</td><td>PLC</td><td>±</td></tr> <tr><td>2</td><td>PLC</td><td>±</td></tr> <tr><td>3</td><td>PLC</td><td>±</td></tr> <tr><td>4</td><td>PLC</td><td>±</td></tr> </table> | | 0 | PLC | ± | 1 | PLC | ± | 2 | PLC | ± | 3 | PLC | ± | 4 | PLC | ± | APPLICATION SPEC. VERARBEITUNGSSPEZ. | | SIZE: A1 | |
| 0 | PLC | ± | | | | | | | | | | | | | | | | | | |
| 1 | PLC | ± | | | | | | | | | | | | | | | | | | |
| 2 | PLC | ± | | | | | | | | | | | | | | | | | | |
| 3 | PLC | ± | | | | | | | | | | | | | | | | | | |
| 4 | PLC | ± | | | | | | | | | | | | | | | | | | |
| MATERIAL: - | | WEIGHT: SEE TABLE | | CAGE CODE: 00779 | | | | | | | | | | | | | | | | |
| CUSTOMER DRAWING | | /KUNDENZEICHNUNG | | SCALE: 5:1 | | | | | | | | | | | | | | | | |
| | | | | SHEET 2 OF 2 | | | | | | | | | | | | | | | | |