

213982-1  ACTIVE

AMP | AMP CPC

TE Internal #: 213982-1

Unscreened Circular Connector Backshells & Clamps, Cable Clamp,  
Size 13, Right Angle, Package, 3/4-20 UNEF-2B, AMP CPC

[View on TE.com >](#)



Connectors > Circular Connectors > Circular Connector Accessories > Unscreened Circular Connector Backshells & Clamps



Backshell & Clamp Accessory Type: **Cable Clamp**

Compatible With Circular Connector Shell Size: **13**

Body Orientation: **Right Angle**

Accepts Cable Diameter (Max): **9.14 mm [ .36 in ]**

Protective Cover: **Without**

## Features

### Product Type Features

Product Type	Accessory
Backshell & Clamp Accessory Type	Cable Clamp
Protective Cover	Without

### Body Features

Cable Clamp Material	Polyester
Cable Clamp Color	Black

### Mechanical Attachment

Coupling Ring Material	Polyester
Coupling Ring Color	Black
Screw & Hole Thread Size	3/4-20 UNEF-2B

### Housing Features

Body Orientation	Right Angle
------------------	-------------

### Dimensions

Accepts Cable Diameter (Max)	9.14 mm [.36 in]
------------------------------	------------------



### Operation/Application

Compatible With Circular Connector Shell Size	13
---	----

### Packaging Features

Packaging Quantity	1
Packaging Method	Package

### Product Compliance

[For compliance documentation, visit the product page on TE.com>](#)

EU RoHS Directive 2011/65/EU	Compliant
EU ELV Directive 2000/53/EC	Compliant
China RoHS 2 Directive MIIT Order No 32, 2016	No Restricted Materials Above Threshold
EU REACH Regulation (EC) No. 1907/2006	Current ECHA Candidate List: JUNE 2022 (224) Candidate List Declared Against: JUL 2021 (219) SVHC > Threshold: Not Yet Reviewed
Halogen Content	Not Low Halogen - contains Br or Cl > 900 ppm.
Solder Process Capability	Not applicable for solder process capability

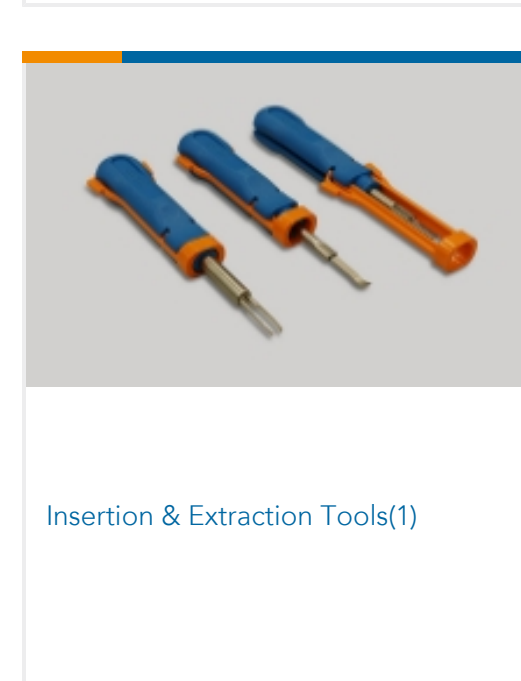
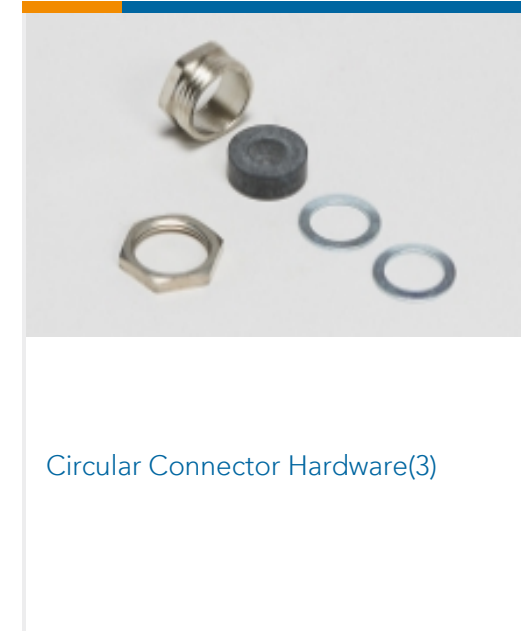
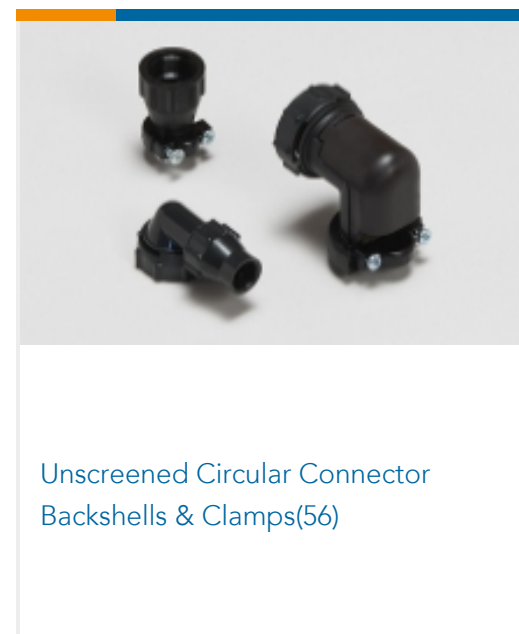
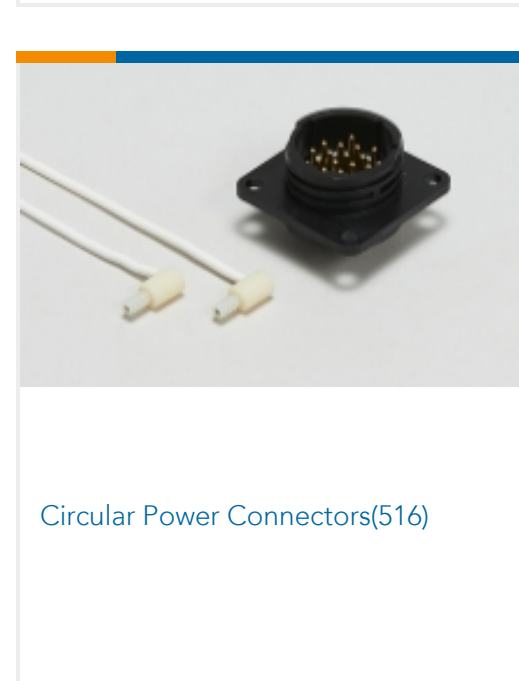
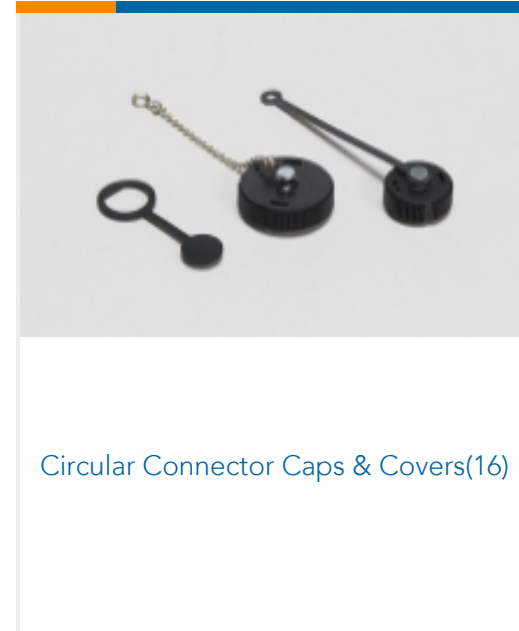
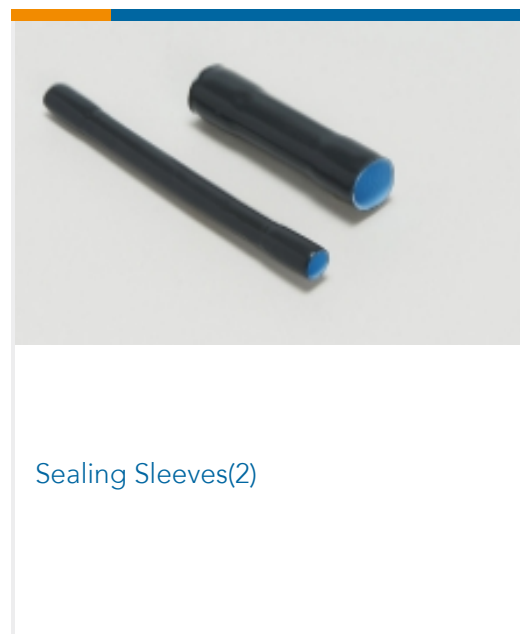
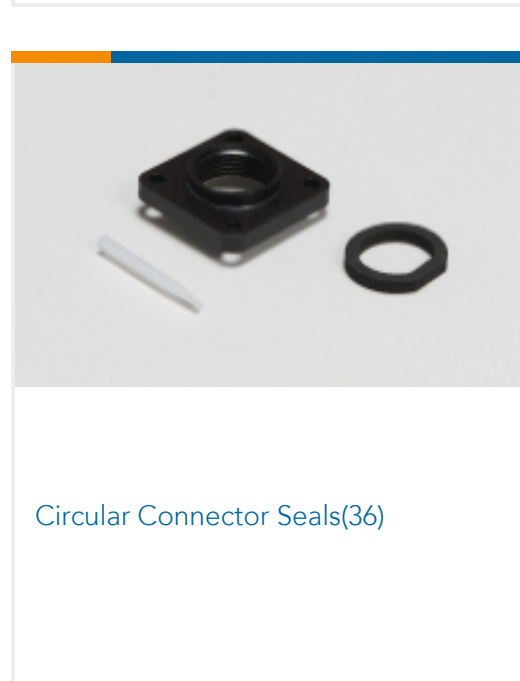
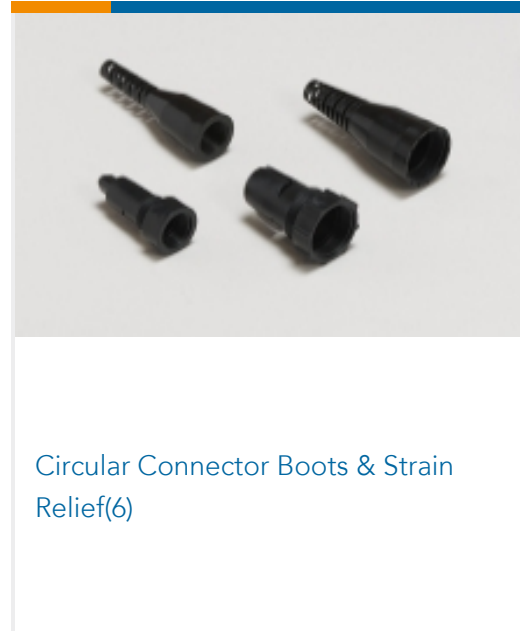
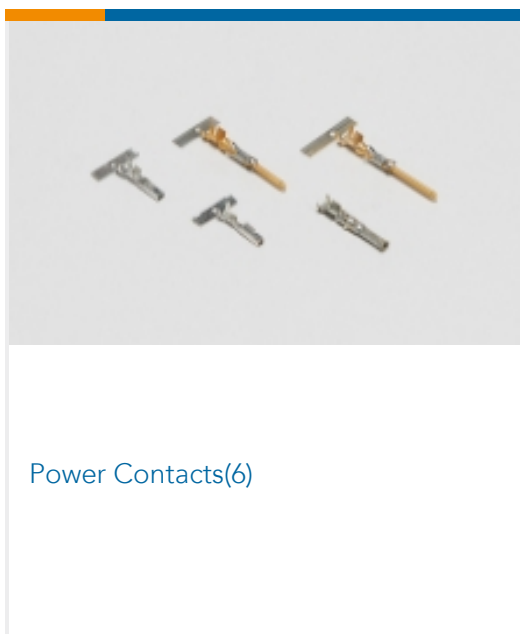
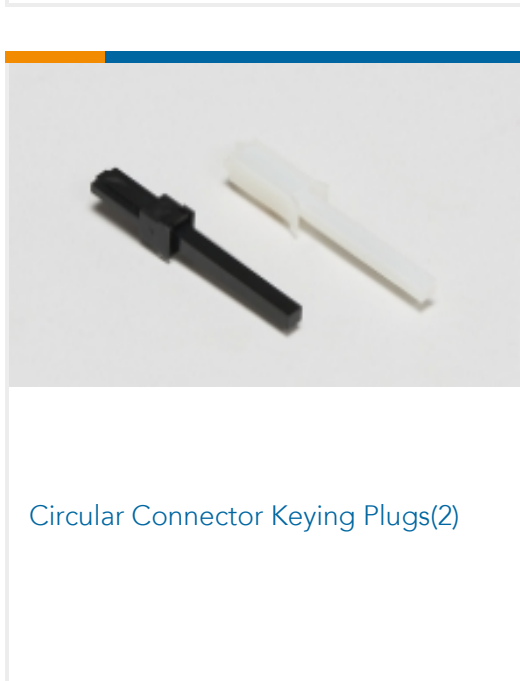
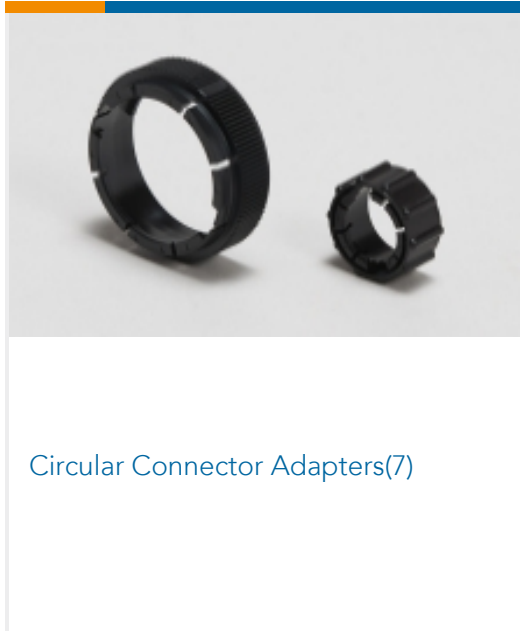
#### Product Compliance Disclaimer

This information is provided based on reasonable inquiry of our suppliers and represents our current actual knowledge based on the information they provided. This information is subject to change. The part numbers that TE has identified as EU RoHS compliant have a maximum concentration of 0.1% by weight in homogenous materials for lead, hexavalent chromium, mercury, PBB, PBDE, DBP, BBP, DEHP, DIBP, and 0.01% for cadmium, or qualify for an exemption to these limits as defined in the Annexes of Directive 2011/65/EU (RoHS2). Finished electrical and electronic equipment products will be CE marked as required by Directive 2011/65/EU. Components may not be CE marked. Additionally, the part numbers that TE has identified as EU ELV compliant have a maximum concentration of 0.1% by weight in homogenous materials for lead, hexavalent chromium, and mercury, and 0.01% for cadmium, or qualify for an exemption to these limits as defined in the Annexes of Directive 2000/53/EC (ELV). Regarding the REACH Regulation, the information TE provides on SVHC in articles for this part number is based on the latest European Chemicals Agency (ECHA) 'Guidance on requirements for substances in articles' posted at this URL: <https://echa.europa.eu/guidance-documents/guidance-on-reach>

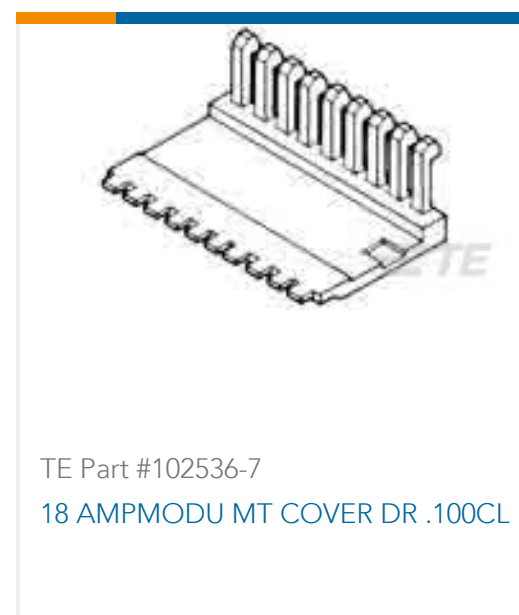
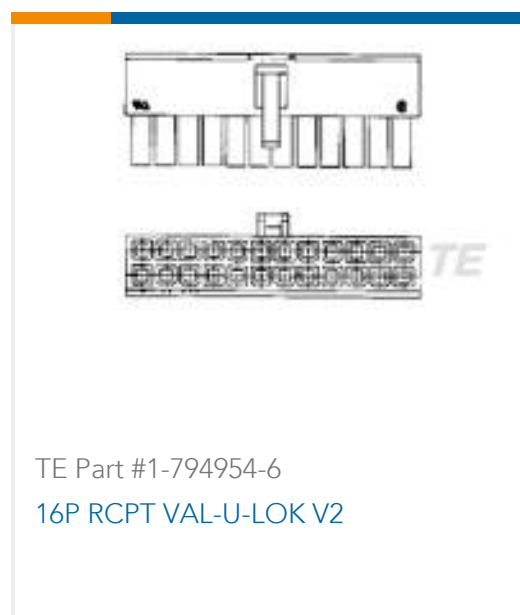
### Compatible Parts



Also in the Series | AMP CPC



Customers Also Bought





TE Part #160773-3  
PL LP RECEPTACLE 0.5-1.5 MM2 TPBR



TE Part #5748678-4  
2 PC PLST CBL CLMP KIT



TE Part #5205730-1  
CLAMSHELL ASY SIZE 2



TE Part #CD34493001  
FLCW0211-0.75-9(B011)



TE Part #CD12243001  
FLCW0211-0.50-9(B011)

## Documents

### Product Drawings

R/A STRN RELIEF KIT,SZ 13,CPC

English

### CAD Files

3D PDF

3D

Customer View Model

[ENG\\_CVM\\_CVM\\_213982-1\\_A.2d\\_dxf.zip](#)

English

Customer View Model

[ENG\\_CVM\\_CVM\\_213982-1\\_A.3d\\_igs.zip](#)

English

Customer View Model

[ENG\\_CVM\\_CVM\\_213982-1\\_A.3d\\_stp.zip](#)

English

3D PDF

English

Customer View Model

[ENG\\_CVM\\_213982-1\\_O.2d\\_dxf.zip](#)

English

Customer View Model

[ENG\\_CVM\\_213982-1\\_O.3d\\_igs.zip](#)

English

Customer View Model

[ENG\\_CVM\\_213982-1\\_O.3d\\_stp.zip](#)

English



By downloading the CAD file I accept and agree to the [Terms and Conditions](#) of use.

---

**Product Specifications**

**Application Specification**

English

---

**Instruction Sheets**

**Instruction Sheet (U.S.)**

English