

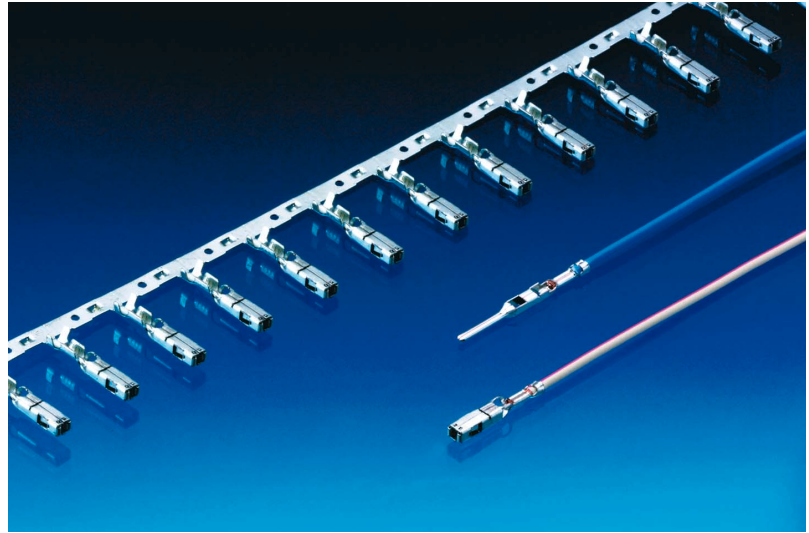
Sicma-3



1.5 mm female and male terminals

Features

- Sicma-3 technology
- One-piece construction
- 3.33 mm pitch
- High current carrying capacity
- Low contact mating force
- Compatible with a large range of connector sealing technologies (single wire sealing, mat-seal)
- Available in class 85°C and 125°C
- Suitable for secondary lock
- Selective gold-plated versions available



Performance characteristics

- Contact resistance:
 - < 2 mΩ for CuFe terminals
 - < 3 mΩ for CuZn terminals
- Contact mating force:
 - < 4 N for CuFe terminals
 - < 4 N for CuZn terminals
- Contact unmating force:
 - < 3 N for CuFe terminals
 - < 3 N for CuZn terminals
- Current carrying capacity
 - at 23°C up to approx.:
 - 19 A for CuFe/CuSn terminals
 - 15 A for CuZn/CuSn terminals
 - at 85°C up to approx.:
 - 13 A for CuFe/CuSn terminals
 - 3.5 A for CuZn/CuSn terminals
 - at 100°C up to approx.:
 - 10 A for CuFe/CuSn terminals
 - at 125°C up to approx.:
 - 4 A for CuFe/CuSn terminals

Packing

- No. of terminals per reel: Consult us
- No. of reels per packing: Consult us

Tooling

- Manual crimping tool: Consult us
- Mini applicator: Consult us

Part Numbers	Type	Wire size range (in mm ²)		Insulation Ø (in mm) Max.	Material	Plating
		Min.	Max.			
211 CC2S1150	Female	0.35	0.75	1.80	CuZn	Sn
211 CC2S2150	Female	1.00	2.00	2.60	CuZn	Sn
211 CC2S1160	Female	0.35	0.75	1.80	CuFe	Sn
211 CC2S2160	Female	1.00	2.00	2.60	CuFe	Sn
211 CC2S1161 (SWS)	Female	0.35	0.75	1.80	CuFe	Sn
211 CC2S2161 (SWS)	Female	1.00	2.00	2.60	CuFe	Sn
211 CC2S1460	Female	0.35	0.75	1.80	CuFe	Au 1.27 μm
211 CC2S2460	Female	1.00	2.00	2.60	CuFe	Au 1.27 μm
211 CL2S1160	Male	0.35	0.75	1.80	CuSn	Sn
211 CL2S2160	Male	1.00	2.00	2.60	CuSn	Sn
211 CL2S1161 (SWS)	Male	0.35	0.75	1.80	CuSn	Sn
211 CL2S2161 (SWS)	Male	1.00	2.00	2.60	CuSn	Sn
211 CL2S1460	Male	0.35	0.75	1.80	CuSn	Au 1.27 μm
211 CL2S2460	Male	1.00	2.00	2.60	CuSn	Au 1.27 μm

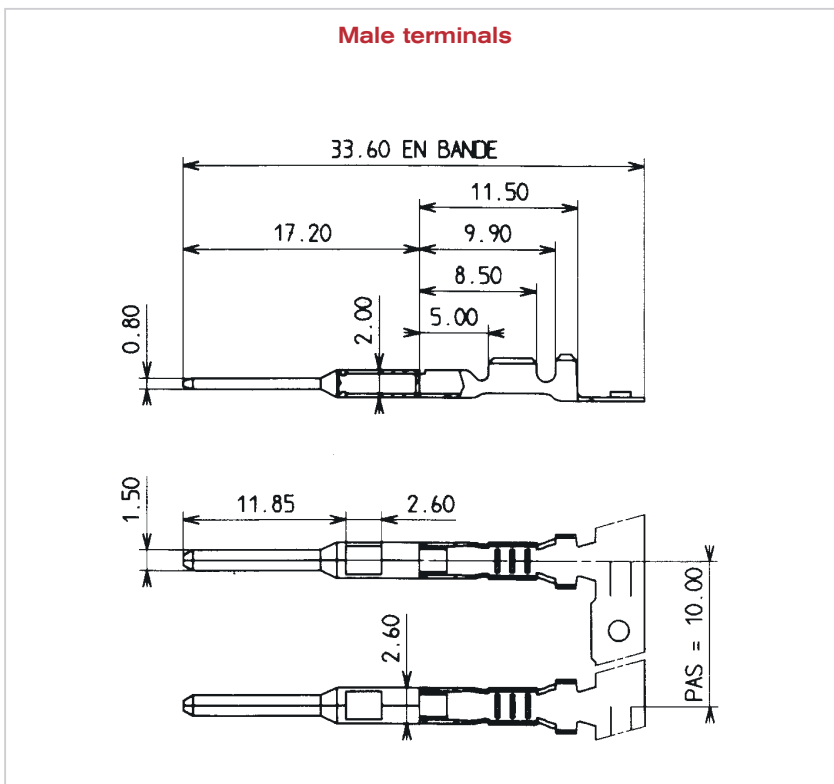
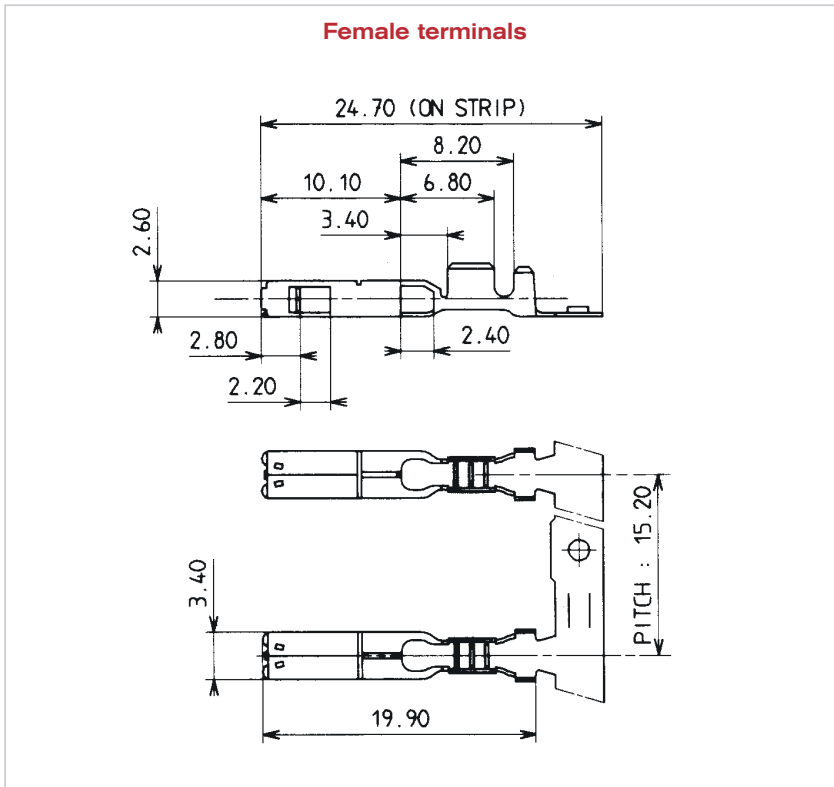
SWS: Single Wire Seal

Sicma-3

1.5 mm female and male terminals

Dimensional characteristics

Notes :



Direct Links ...

- Cross Reference
- RoHS/LF P/N search
- Document & Drawing search
- Application tooling

Services ...

- Contact us
- Distributor list
- Pricing request
- Order samples

Literature ...

- Brochures & catalogs
- Product documentation
- Technical library

Start > Search=211CL2S1160* > **211CL2S1160**

211CL2S1160



211CL2S1160

Sicma-3 male 1.5mm terminal

ACTIVE

[Customer Drawing](#)

Automotive division

[Assistant](#) [Add to Favorites](#)

[Email Datasheet](#) [Print Datasheet](#)

FCI Brings You More

- [Contact our sales/technical support](#)
- [Sample request](#)
- [Price request](#)

Mating Half

[211CC2S1160](#)

Specifications

General Dimensional Electrical Mechanical Physical Environmental **Other Features**

General

Product Type	Terminal System
Terminal size (in mm)	1.5
Family	Sicma-3
	Available in Class 85°C and 125°C

Features	Suitable for Secondary Lock Low Contact Mating Force High Current Carrying Capacity One Piece Construction
Dimensional	
Contact Pitch	3.33 mm
Electrical	
Current Carrying Capacity at 23°C	19A
Current Carrying Capacity at 85°C	13A
Current Carrying Capacity at 100°C	10A
Current Carrying Capacity at 125°C	4A
Maximum Insulation (in mm)	18
Resistance (Contact)	< 2
Mechanical	
Range of Wire Gauge Min - Max	0.35 - 0.75 mm ²
Contact mating force	< 4N
Single Wire Seal Compatible	No
Contact unmating force	< 3N
Physical	
Plating	Sn
Material	CuSn
Environmental	
IMDS	No
Other Features	
Type	Male
Tradename	Sicma
Disclaimer	Displayed data is for information purposes only. For more information, please contact your local sales office. The supply of some products might be limited to some customers.