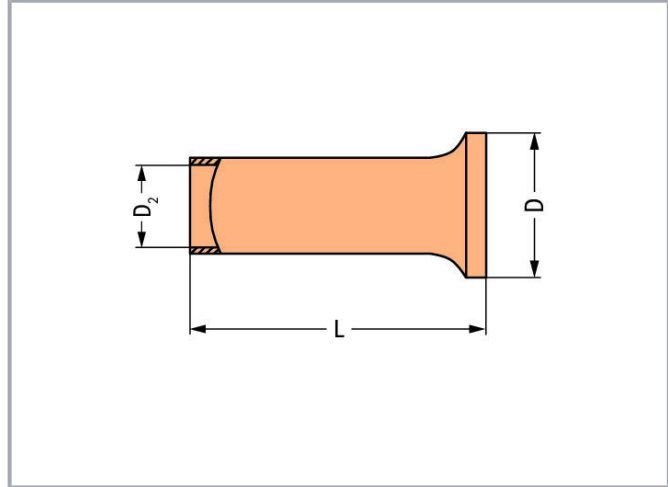


Data sheet | Item number: 216-106

Ferrule; Sleeve for 2.5 mm² / AWG 14; uninsulated; electro-tin plated; silver-colored



www.wago.com/216-106



Data

Technical data

Main product function	Ferrule
Sleeve cross-section (AWG)	14 AWG

Subject to changes. Please also observe the further product documentation!

WAGO Kontakttechnik GmbH & Co. KG
Hansastr. 27
32423 Minden
Phone: +49571 887-0 | Fax: +49571 887-169
Email: info.de@wago.com | Web: www.wago.com

Do you have any questions about our products?
We are always happy to take your call at +49 (571) 887-44222.



Sleeve for	2.5 mm ²
------------	---------------------

Connection data

Strip length	10 mm / 0.39 inch
--------------	-------------------

Physical data

Length	10 mm
--------	-------

Diameter	3.4 mm
----------	--------

Diameter 2	2.2 mm
------------	--------

Material data

Color	silver-colored
-------	----------------

Weight	0.1 g
--------	-------

Commercial data

Product Group	2 (Terminal Block Accessories)
---------------	--------------------------------

PU (SPU)	5000 (1000) Stück
----------	-------------------

Packaging type	box
----------------	-----

Country of origin	DE
-------------------	----

GTIN	4017332277686
------	---------------

Customs tariff number	85369010000
-----------------------	-------------

Downloads**Documentation****Bid Text**

216-106 X81 - Datei	2019 Feb 19	xml 2.8 kB	Download
------------------------	-------------	---------------	----------

216-106 doc - Datei	2017 Sep 11	doc 24.6 kB	Download
------------------------	-------------	----------------	----------

Environmental Product Compliance**Compliance Search**

Environmental Product Compliance 216-106	Download
--	----------

Ferrule; Sleeve for 2.5 mm² / AWG 14; uninsulated; electro-tin plated; silver-colored

Subject to changes. Please also observe the further product documentation!

WAGO Kontakttechnik GmbH & Co. KG
Hansastr. 27
32423 Minden
Phone: +49571 887-0 | Fax: +49571 887-169
Email: info.de@wago.com | Web: www.wago.com

Do you have any questions about our products?
We are always happy to take your call at +49 (571) 887-44222.

Installation Notes



A perfect gas-tight crimp – both electrically and mechanically reliable

Subject to changes. Please also observe the further product documentation!