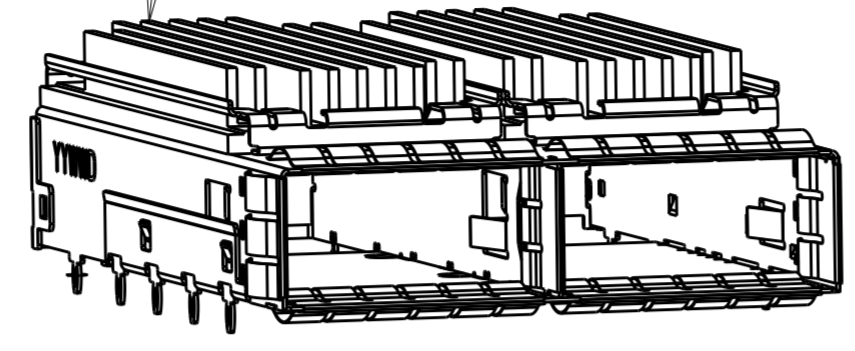
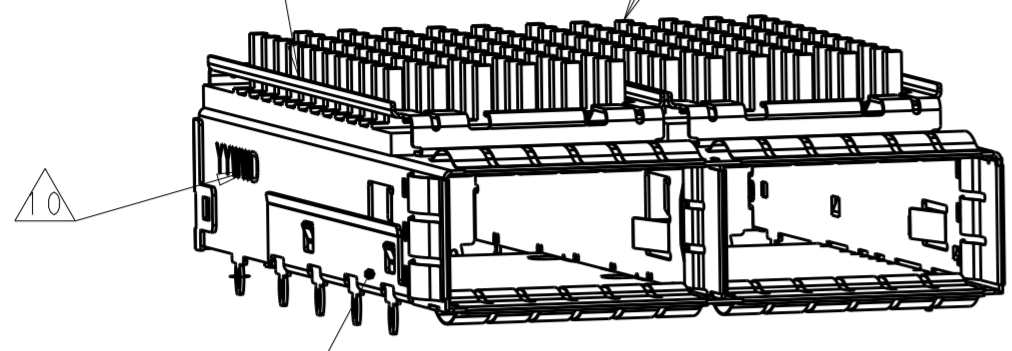


THIS DRAWING IS UNPUBLISHED. RELEASED FOR PUBLICATION 20
 © COPYRIGHT 20 BY - ALL RIGHTS RESERVED.

REVISIONS				
P	LTR	DESCRIPTION	DATE	APVD
A		INITIAL RELEASE	02FEB2016	JY SH
B		REVISED PER ECO-18-019722	23OCT2018	IT SH

HEAT SINK CLIP PIN HEAT SINK

FIN HEAT SINK

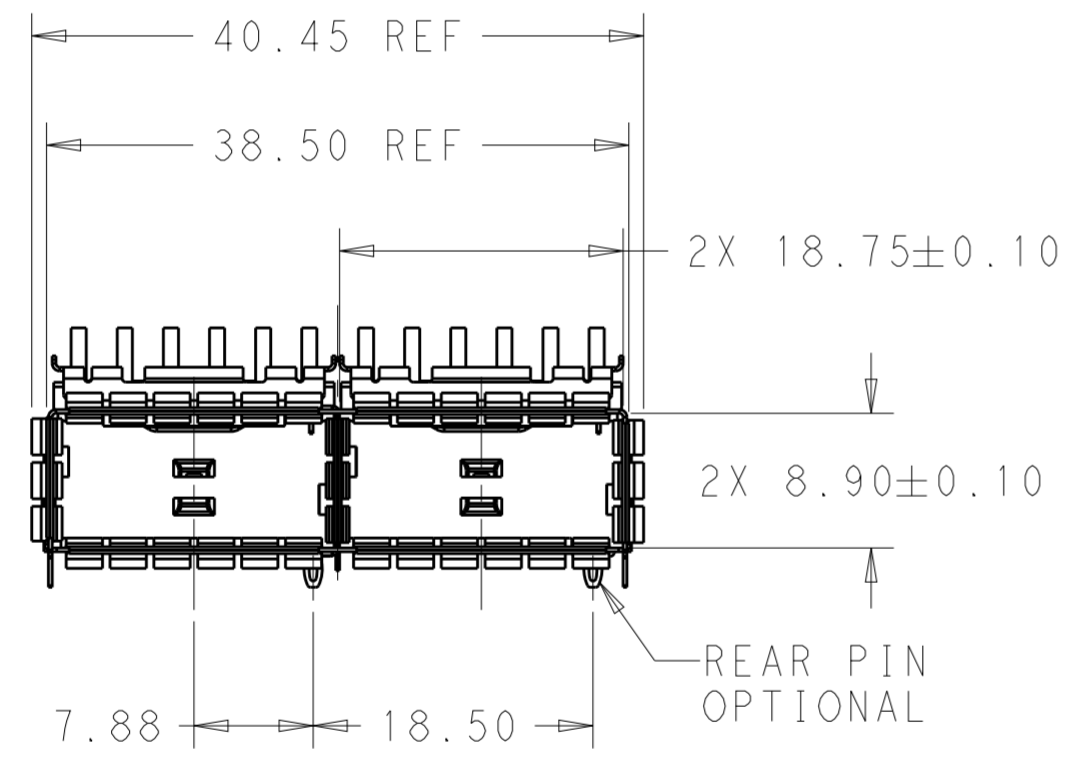


CAGE ASSEMBLY

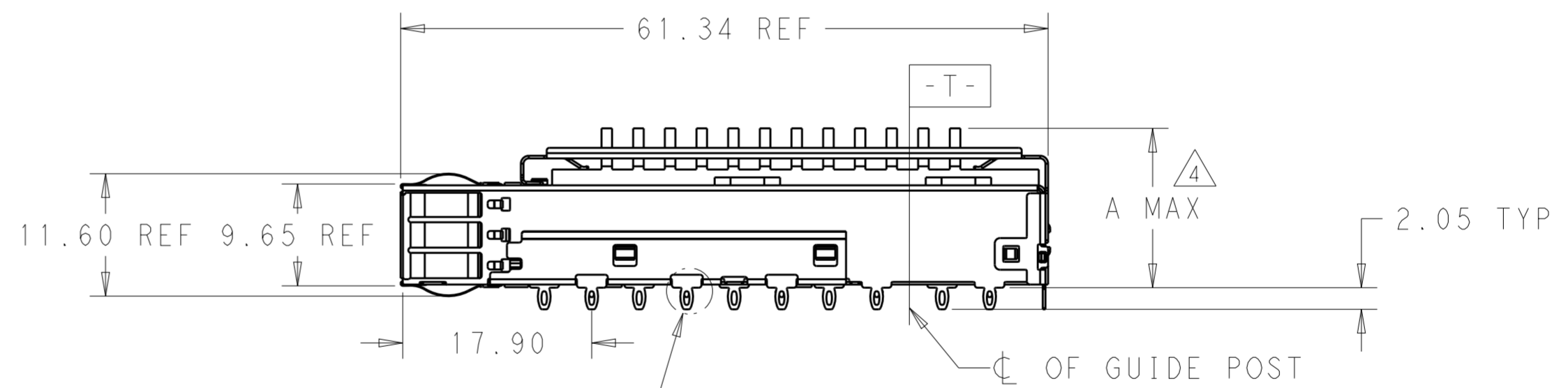
2170806-1,2,3,4,5,6 AS SHOWN
SCALE 2:1

2170806-8 AS SHOWN
SCALE 2:1

- COMPONENTS
 CAGE ASSEMBLY: NICKEL-SILVER ALLOY
 HEAT SINK: ALUMINUM/BLACK ANODIZE
 HEAT SINK CLIP: STAINLESS STEEL
 EMI SPRING: COPPER ALLOY/NICKEL PLATE
- REFERENCE APPLICATION SPECIFICATION 114-32023 FOR RECOMMENDED DRILL HOLE DIAMETER AND PLATING THICKNESS
- DATUM AND BASIC DIMENSION ESTABLISHED BY CUSTOMER
- DIMENSION APPLIES WITH MODULE INSERTED IN CAGE
- HEAT SINKS, HEAT SINK CLIPS AND LIGHT PIPES ARE SHIPPED ASSEMBLED ON CAGE
- MINIMUM PC BOARD THICKNESS: SINGLE SIDED: 1.57 MIN
DOUBLE SIDED: 3.00 MIN
- DATUM **-A-** IS TOP SURFACE OF THE HOST BOARD.
- THESE HOLES ARE OPTIONAL WHEN THE REAR PINS ARE REMOVED.
- MATES WITH QSFP28 MSA COMPATIBLE TRANSCEIVER.
- DATE CODE (YYWWD) MARKED APPROXIMATELY AS SHOWN.

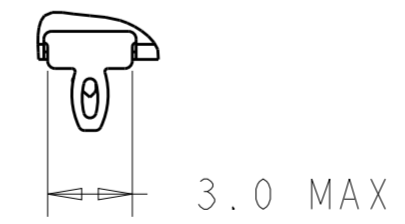


SCALE 2:1



SEE DETAIL D

16.0	WITHOUT	SAN	2170806-8
23.0	WITHOUT	NETWORKING	2170806-6
16.0	WITHOUT	SAN	2170806-5
13.7	WITHOUT	PCI	2170806-4
23.0	WITH	NETWORKING	2170806-3
16.0	WITH	SAN	2170806-2
13.7	WITH	PCI	2170806-1
DIM A	REAR PINS OPTIONAL	APPLICATION	PART NUMBER



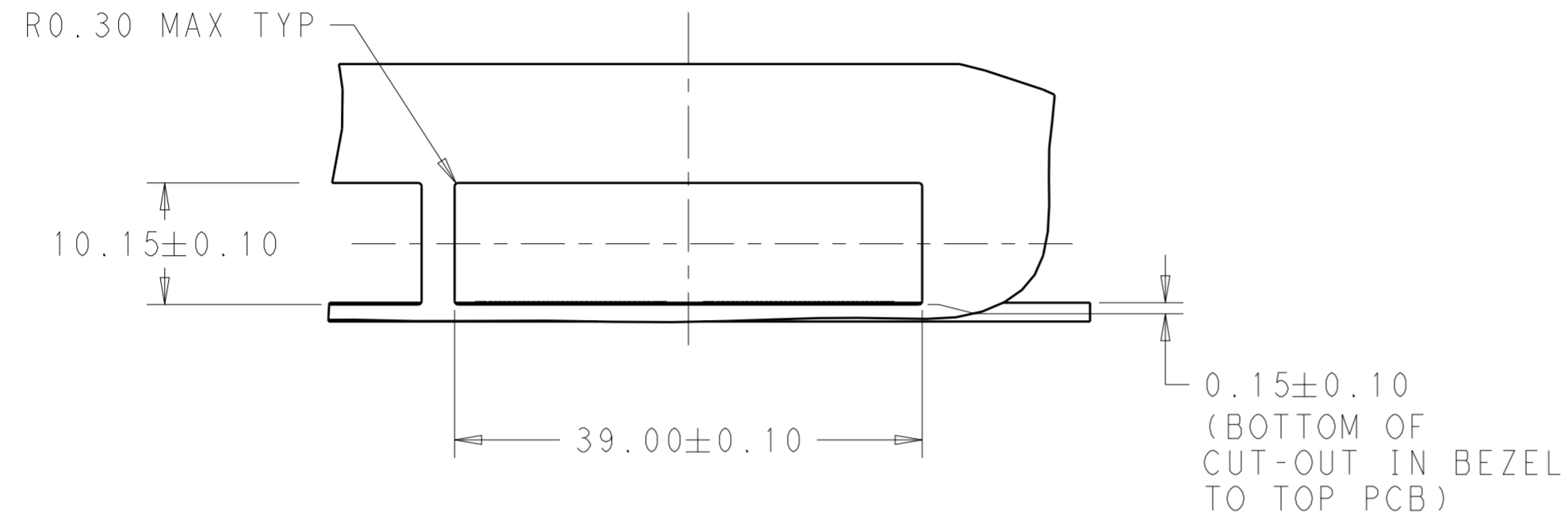
DETAIL D
SCALE 4:1

THIS DRAWING IS A CONTROLLED DOCUMENT.

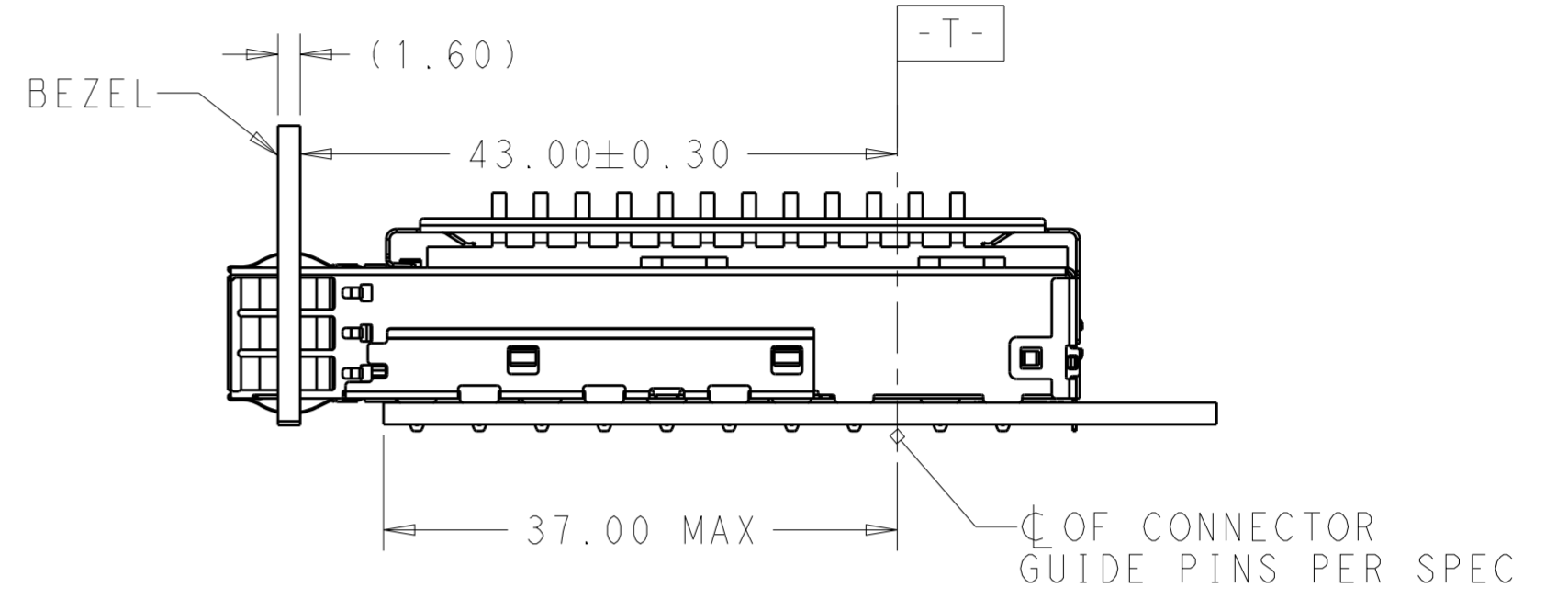
DIMENSIONS: mm	TOLERANCES UNLESS OTHERWISE SPECIFIED:	DWN HANK WU 15SEP2014	TE Connectivity
	0 PLC ±	CHK JASON YANG 15SEP2014	
	1 PLC ±0.25	APVD SEAN HAN 02FEB2016	
	2 PLC ±0.2	NAME RECEPTACLE CAGE ASSEMBLY WITH HEAT SINKS THRU BEZEL, 1X2, QSFP28	
MATERIAL SEE NOTES	FINISH SEE NOTES	PRODUCT SPEC 108-19428	SIZE CAGE CODE DRAWING NO RESTRICTED TO
		APPLICATION SPEC 114-32023	A200779 C-2170806
		WEIGHT -	SCALE 1:1 SHEET 1 OF 5 REV B
		CUSTOMER DRAWING	

THIS DRAWING IS UNPUBLISHED. RELEASED FOR PUBLICATION 20
 © COPYRIGHT 20 BY - ALL RIGHTS RESERVED.

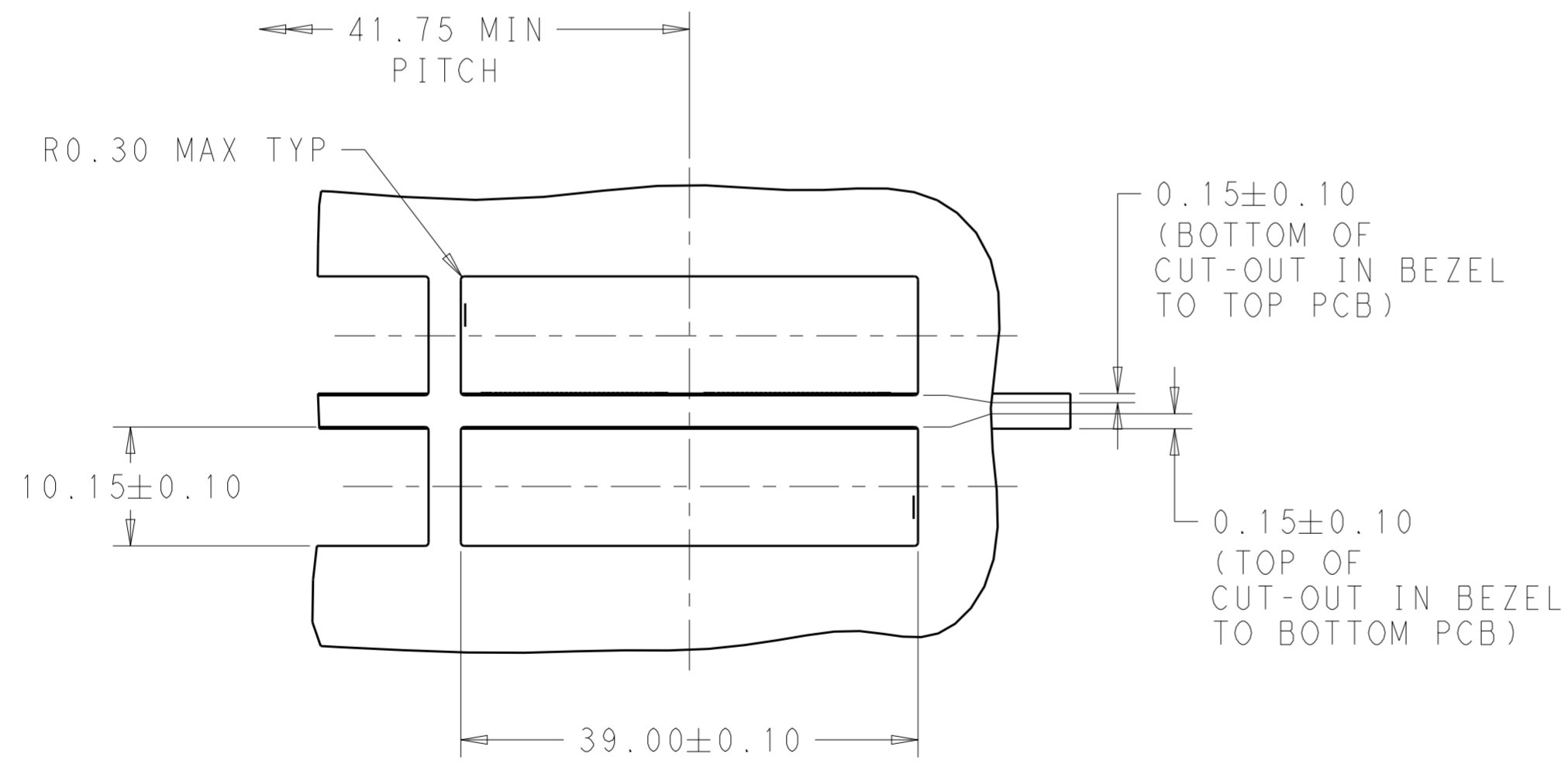
REVISIONS				
P	LTR	DESCRIPTION	DATE	APVD
-	-	SEE SHEET 1	-	-



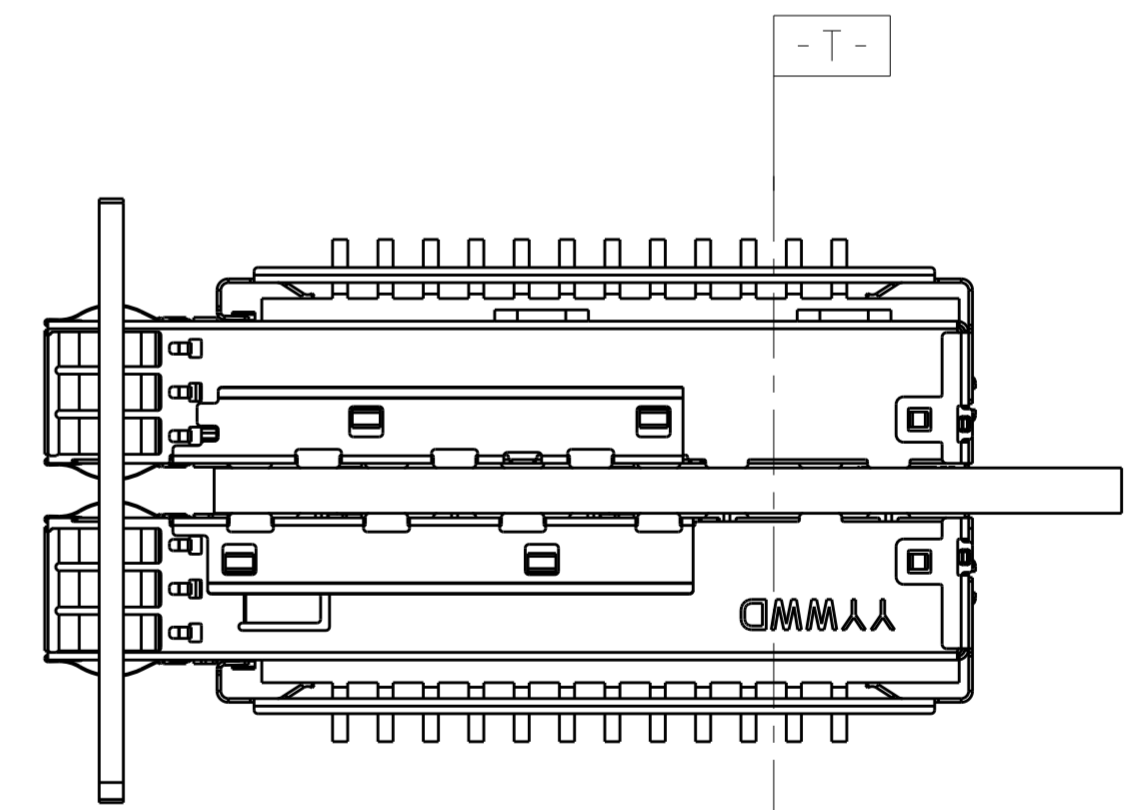
CAGE ASSEMBLY IS OMITTED



SINGLE SIDE MOUNTING
SCALE 2:1



CAGE ASSEMBLY IS OMITTED

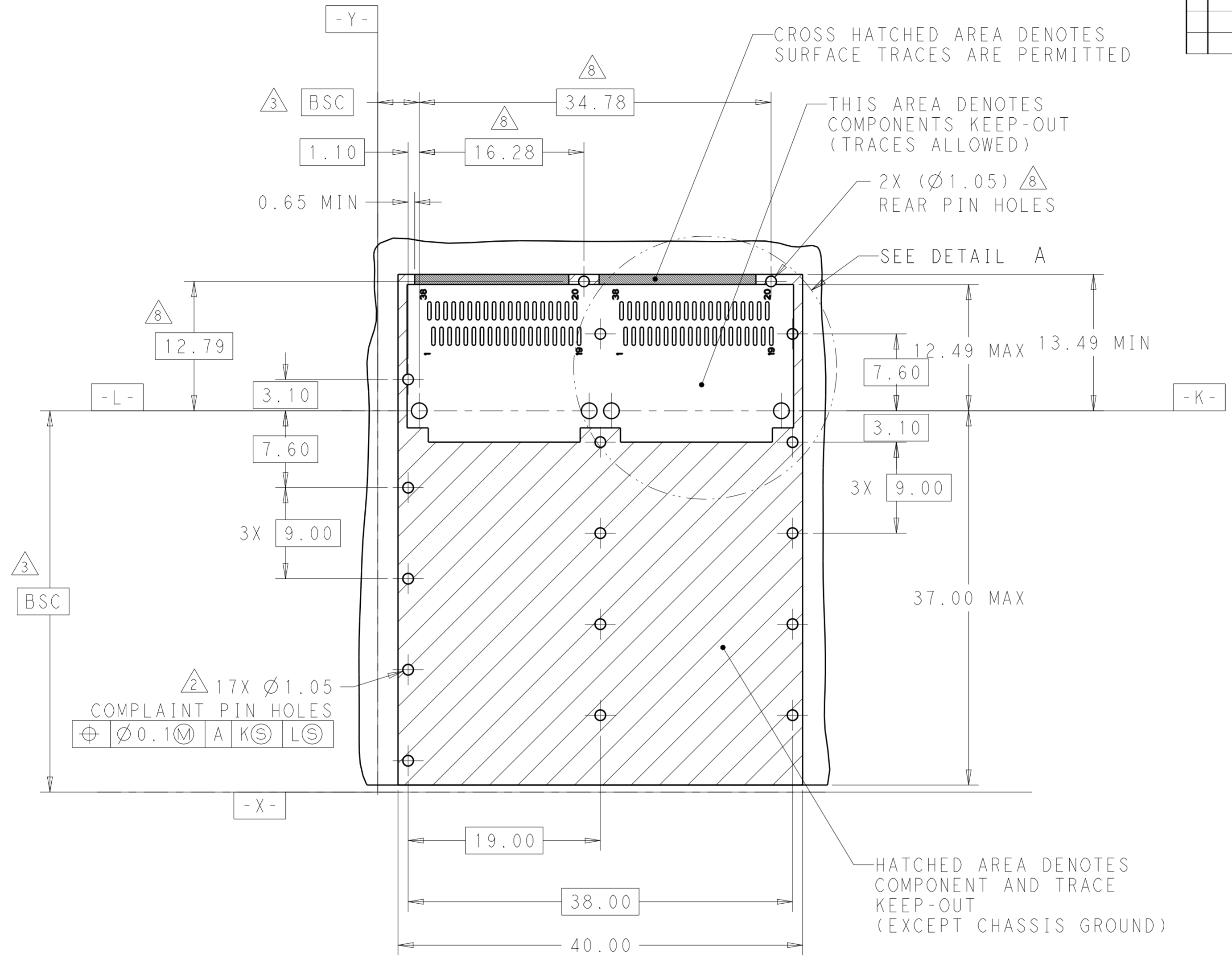


BELLY TO BELLY MOUNTING
SCALE 2:1

THIS DRAWING IS A CONTROLLED DOCUMENT.		DWN HANK WU 15SEP2014	TE Connectivity	
DIMENSIONS: mm		CHK JASON YANG 15SEP2014		
TOLERANCES UNLESS OTHERWISE SPECIFIED:		APVD SEAN HAN 02FEB2016	NAME RECEPTACLE CAGE ASSEMBLY WITH HEAT SINKS THRU BEZEL, 1X2, QSFP28	
		PRODUCT SPEC 108-19428	SIZE CAGE CODE DRAWING NO RESTRICTED TO	
MATERIAL SEE NOTES		APPLICATION SPEC 114-32023	A200779 C-2170806	
FINISH SEE NOTES		WEIGHT -	SCALE 1:1 SHEET 2 OF 5 REV B	
-		CUSTOMER DRAWING	-	

THIS DRAWING IS UNPUBLISHED. RELEASED FOR PUBLICATION 20
 © COPYRIGHT 20 BY - ALL RIGHTS RESERVED.

REVISIONS				
P	LTR	DESCRIPTION	DATE	APVD
-	-	SEE SHEET 1	-	-

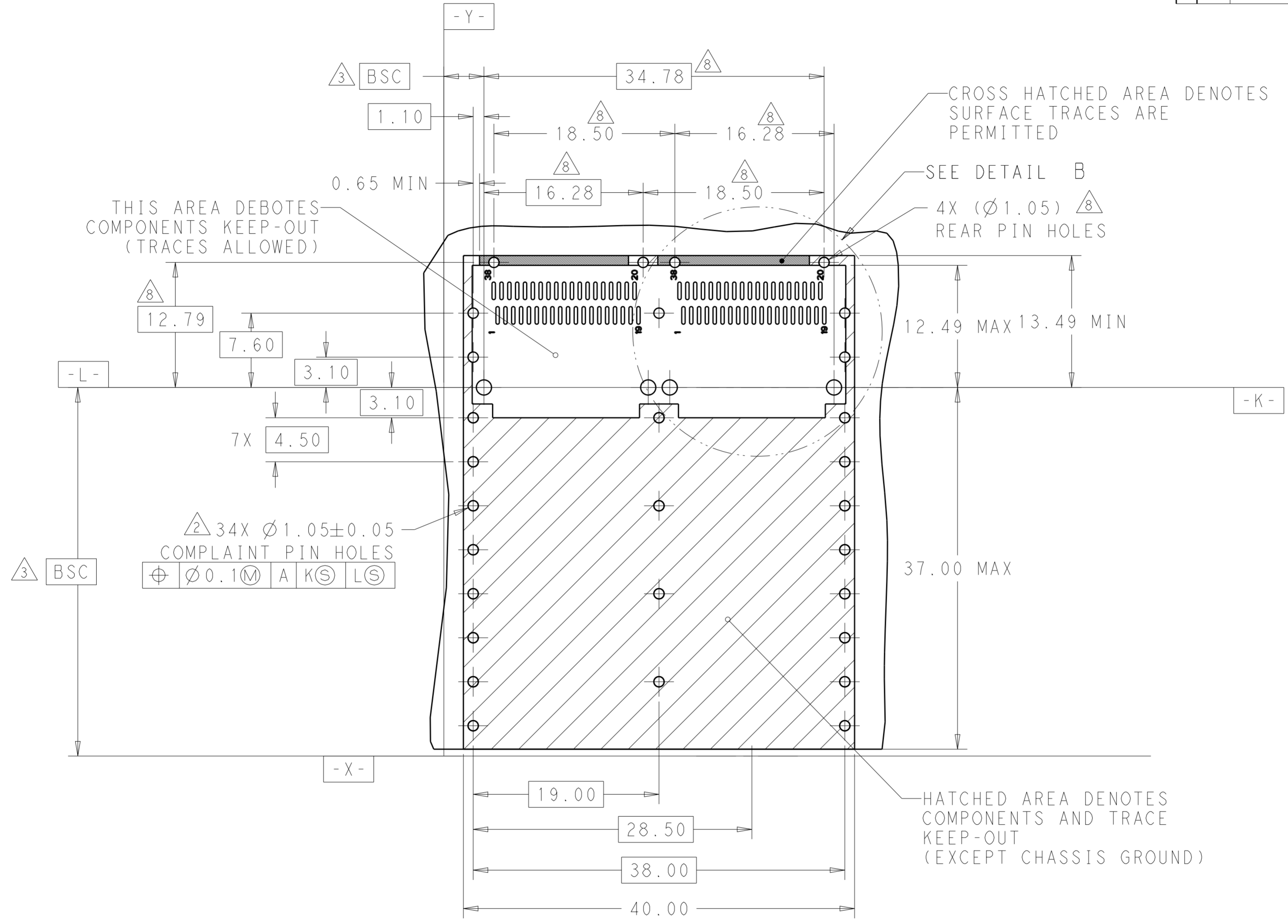


RECOMMENDED PCB LAYOUT
 SINGLE TYPE
 PCB TOLERANCE: ±0.05
 SCALE 3:1

THIS DRAWING IS A CONTROLLED DOCUMENT.		DWN HANK WU 15SEP2014	 TE Connectivity
DIMENSIONS: mm		CHK JASON YANG 15SEP2014	
TOLERANCES UNLESS OTHERWISE SPECIFIED:		APVD SEAN HAN 02FEB2016	
0 PLC ± 1 PLC ±0.25 2 PLC ±0.2 3 PLC ± 4 PLC ± ANGLES ± FINISH SEE NOTES		NAME RECEPTACLE CAGE ASSEMBLY WITH HEAT SINKS THRU BEZEL, 1X2, QSFP28 PRODUCT SPEC 108-19428 APPLICATION SPEC 114-32023 WEIGHT - CUSTOMER DRAWING	
MATERIAL SEE NOTES	SEE NOTES	SIZE A200779	CAGE CODE C-2170806 DRAWING NO. 114-32023 RESTRICTED TO - SCALE 1:1 SHEET 3 OF 5 REV B

THIS DRAWING IS UNPUBLISHED. RELEASED FOR PUBLICATION 20
 © COPYRIGHT 20 BY - ALL RIGHTS RESERVED.

REVISIONS				
P	LTR	DESCRIPTION	DATE	APVD
-	-	SEE SHEET 1	-	-

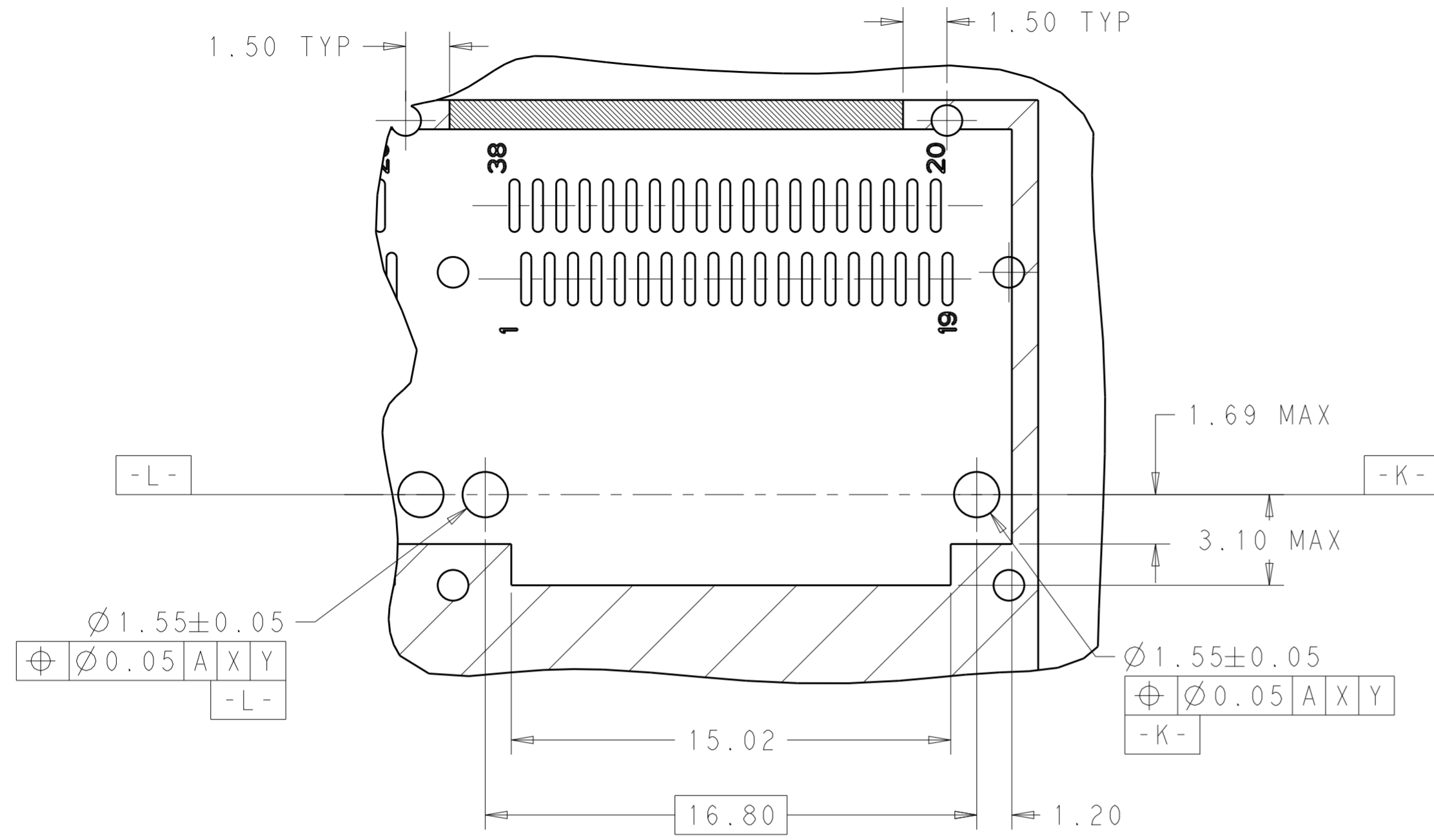


RECOMMENDED PCB LAYOUT
 BELLY TO BELLY TYPE
 PCB TOLERANCE: ±0.05
 SCALE 3:1

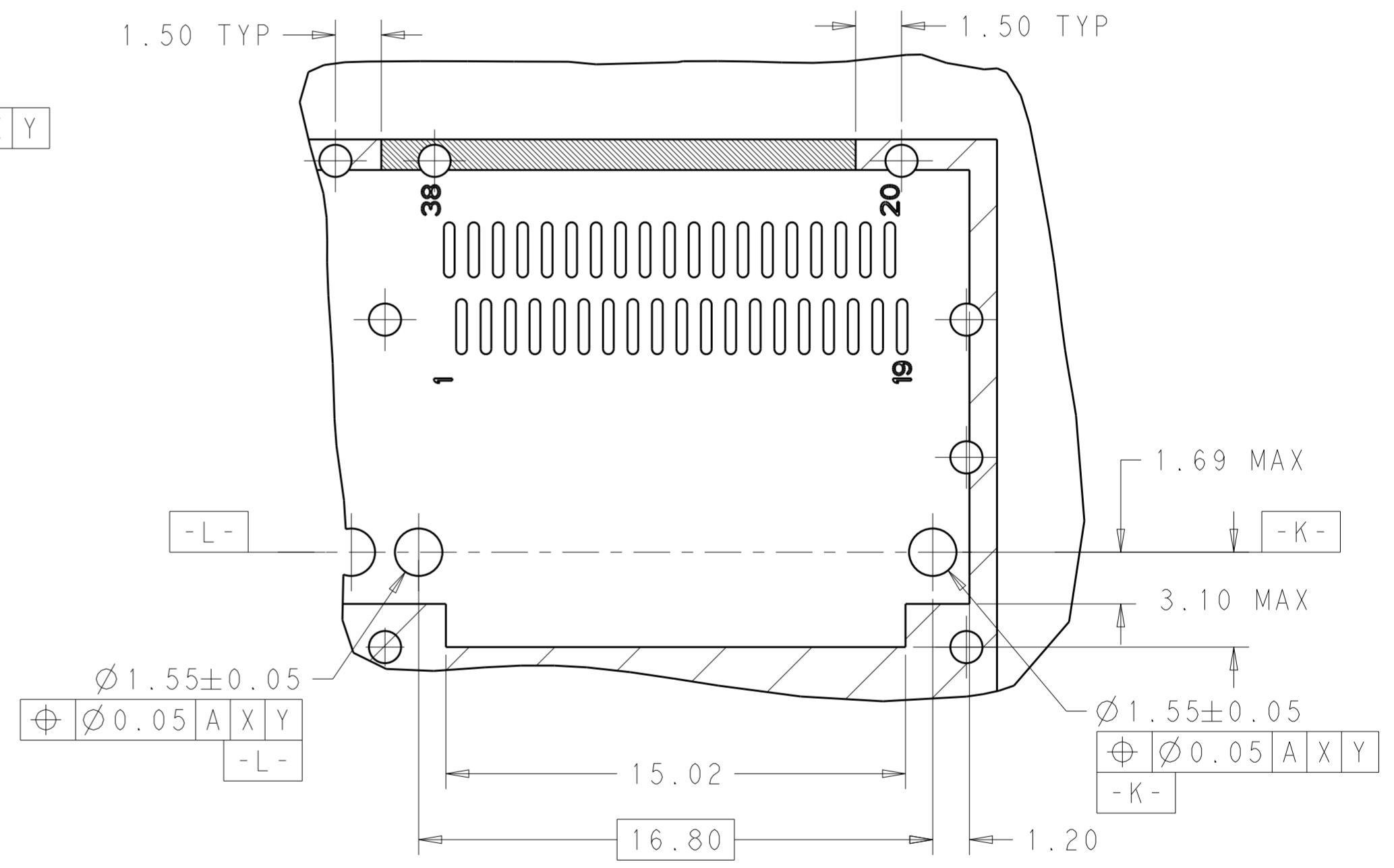
THIS DRAWING IS A CONTROLLED DOCUMENT.		DWN HANK WU 15SEP2014	TE Connectivity	
DIMENSIONS: mm		CHK JASON YANG 15SEP2014		
TOLERANCES UNLESS OTHERWISE SPECIFIED:		APVD SEAN HAN 02FEB2016	NAME RECEPTACLE CAGE ASSEMBLY WITH HEAT SINKS THRU BEZEL, 1X2, QSFP28	
0 PLC ± 1 PLC ±0.25 2 PLC ±0.2 3 PLC ± 4 PLC ± ANGLES ± FINISH ±		PRODUCT SPEC 108-19428	SIZE A2	CAGE CODE 00779
MATERIAL SEE NOTES		APPLICATION SPEC 114-32023	DRAWING NO C-2170806	RESTRICTED TO -
SEE NOTES		WEIGHT -	SCALE 1:1	SHEET 4 OF 5
-		CUSTOMER DRAWING	REV B	

THIS DRAWING IS UNPUBLISHED. RELEASED FOR PUBLICATION 20
 © COPYRIGHT 20 BY - ALL RIGHTS RESERVED.

REVISIONS				
P	LTR	DESCRIPTION	DATE	APVD
-	-	SEE SHEET 1	-	-



DETAIL A
SCALE 6:1



DETAIL B
SCALE 6:1

THIS DRAWING IS A CONTROLLED DOCUMENT.		DWN HANK WU 15SEP2014	STE TE Connectivity	
		CHK JASON YANG 15SEP2014		
		APVD SEAN HAN 02FEB2016	NAME RECEPTACLE CAGE ASSEMBLY WITH HEAT SINKS THRU BEZEL, 1X2, QSFP28	
DIMENSIONS: mm		PRODUCT SPEC 108-19428	SIZE A2	CAGE CODE 00779
TOLERANCES UNLESS OTHERWISE SPECIFIED:		APPLICATION SPEC 114-32023	DRAWING NO. C-2170806	RESTRICTED TO -
MATERIAL SEE NOTES		WEIGHT -	SCALE 1:1	SHEET 5 OF 5
FINISH SEE NOTES		CUSTOMER DRAWING	REV B	