



Product Compliance

[For compliance documentation, visit the product page on TE.com>](#)

EU RoHS Directive 2011/65/EU	Compliant
EU ELV Directive 2000/53/EC	Compliant
China RoHS 2 Directive MIIT Order No 32, 2016	No Restricted Materials Above Threshold
EU REACH Regulation (EC) No. 1907/2006	Current ECHA Candidate List: JUNE 2022 (224) Candidate List Declared Against: JAN 2022 (223) SVHC > Threshold: Not Yet Reviewed
Halogen Content	Low Halogen - Br, Cl, F, I < 900 ppm per homogenous material. Also BFR/CFR/PVC Free
Solder Process Capability	Not reviewed for solder process capability

Product Compliance Disclaimer

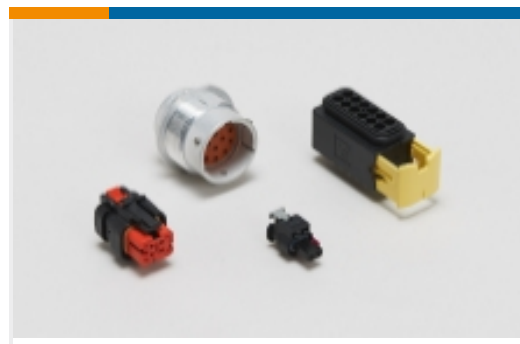
This information is provided based on reasonable inquiry of our suppliers and represents our current actual knowledge based on the information they provided. This information is subject to change. The part numbers that TE has identified as EU RoHS compliant have a maximum concentration of 0.1% by weight in homogenous materials for lead, hexavalent chromium, mercury, PBB, PBDE, DBP, BBP, DEHP, DIBP, and 0.01% for cadmium, or qualify for an exemption to these limits as defined in the Annexes of Directive 2011/65/EU (RoHS2). Finished electrical and electronic equipment products will be CE marked as required by Directive 2011/65/EU. Components may not be CE marked. Additionally, the part numbers that TE has identified as EU ELV compliant have a maximum concentration of 0.1% by weight in homogenous materials for lead, hexavalent chromium, and mercury, and 0.01% for cadmium, or qualify for an exemption to these limits as defined in the Annexes of Directive 2000/53/EC (ELV). Regarding the REACH Regulation, the information TE provides on SVHC in articles for this part number is based on the latest European Chemicals Agency (ECHA) 'Guidance on requirements for substances in articles' posted at this URL: <https://echa.europa.eu/guidance-documents/guidance-on-reach>



Automotive Connector Caps & Covers (9)



Automotive Connector EMC Shielding (2)



Automotive Housings(13)



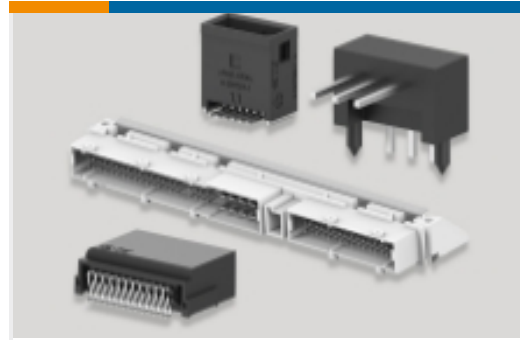
Automotive Seals & Cavity Plugs(7)



High Voltage Wire Processing Equipment(14)

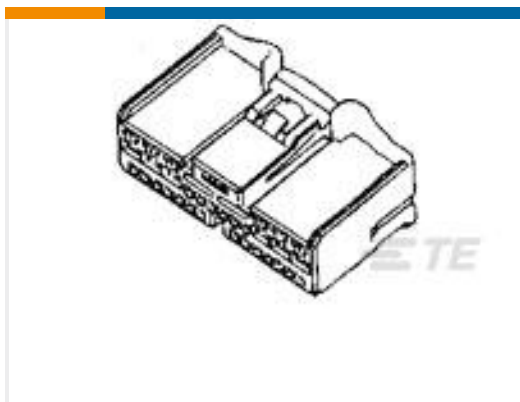


Other Automotive Connector Accessories(3)



PCB Headers & Receptacles(1)

Customers Also Bought



TE Part #1376360-1
025/090 26P PLUG ASSY



TE Part #2-1241408-3
AMP MCP 6.3/4.8K, CONTACT



TE Part #2141265-4
COVER,SEAL



TE Part #2141259-1
2POS, MIXED,REC HSG,ASSY



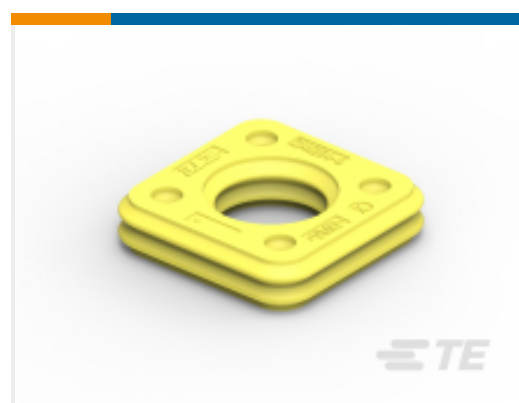
TE Part #2141262-3
SHIELDING,EMC



TE Part #1-2177063-2
3POS,8MM HV,PLUG HSG,ASSY,
SEALED



TE Part #2141256-1
2POS,AMP MCP6.3/4.8K,REC HSG,
ASSY



TE Part #2141264-4
SINGLE WIRE SEAL,AMP MCP6.3/4.8K



TE Part #2141265-3
COVER,SEAL



TE Part #2141261-1
SHIELD CRIMP FERRULE,INNER

Documents



Product Drawings

SHIELD CRIMP FERRULE,OUTSIDE

English

CAD Files

3D PDF

3D

Customer View Model

[ENG_CVM_CVM_2141263-4_A.2d_dxf.zip](#)

English

Customer View Model

[ENG_CVM_CVM_2141263-4_A.3d_igs.zip](#)

English

Customer View Model

[ENG_CVM_CVM_2141263-4_A.3d_stp.zip](#)

English

By downloading the CAD file I accept and agree to the [Terms and Conditions](#) of use.

Datasheets & Catalog Pages

HEMS Product Overview

English

Product Specifications

Application Specification

English