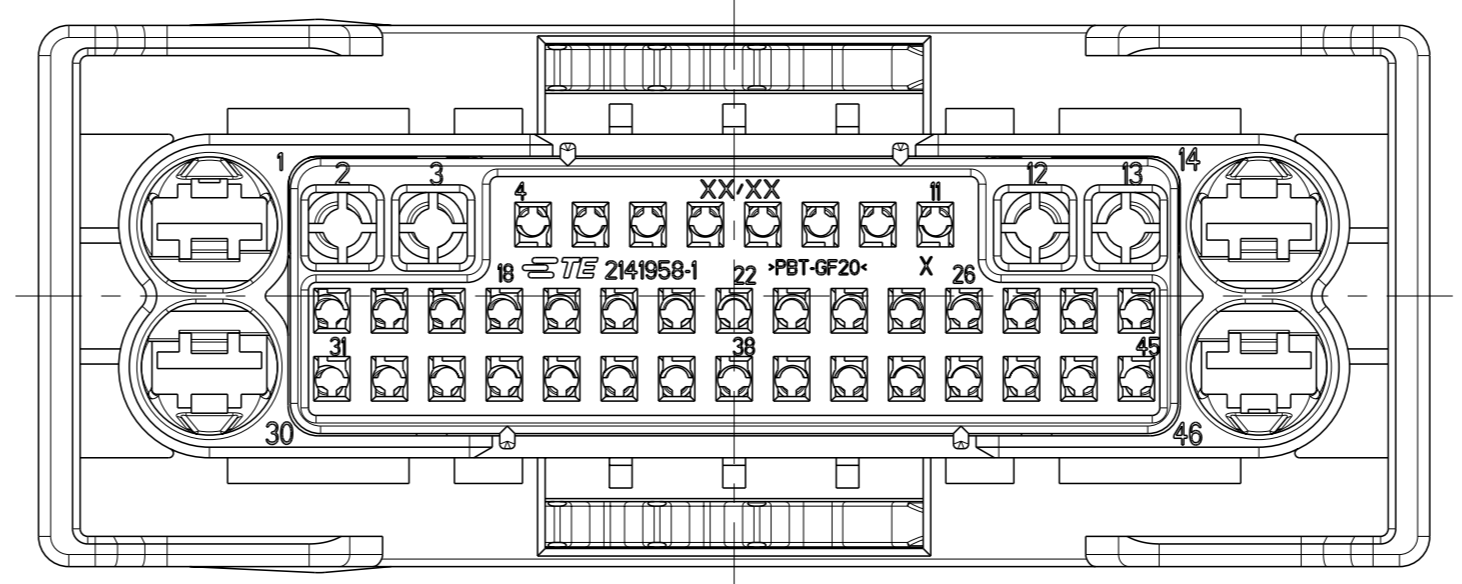
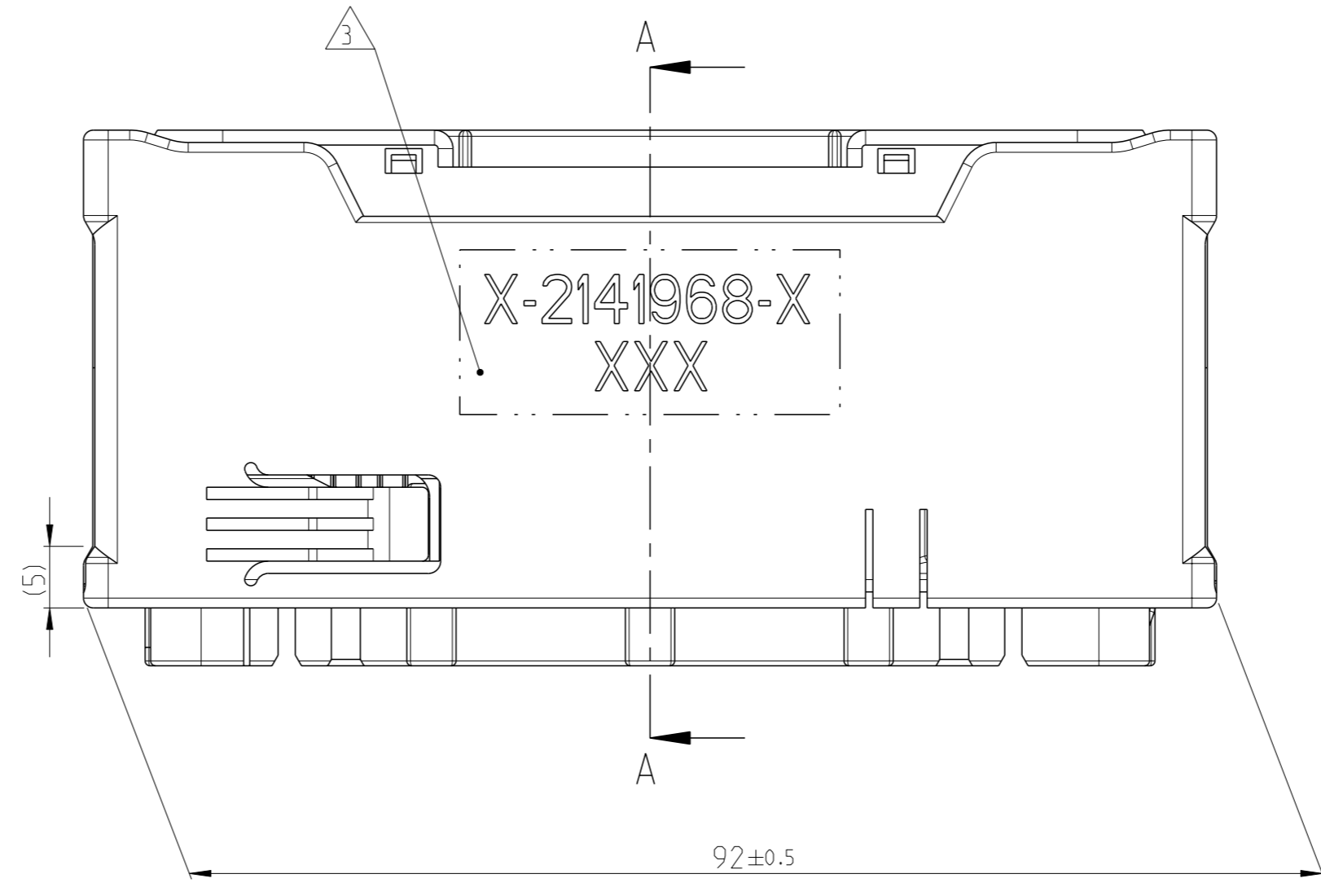
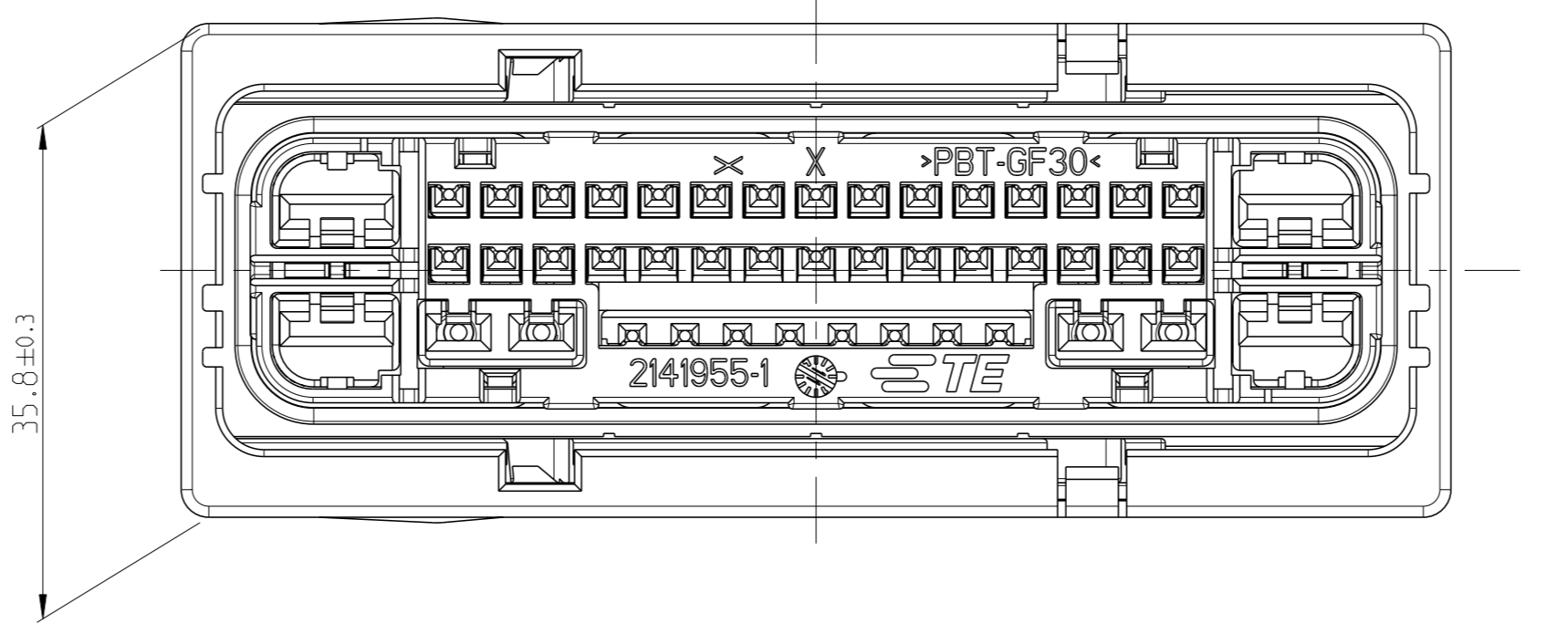
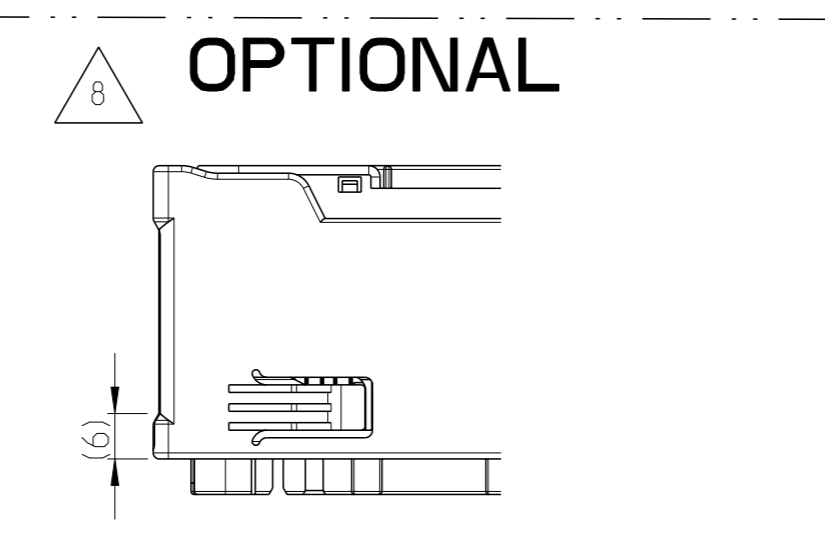
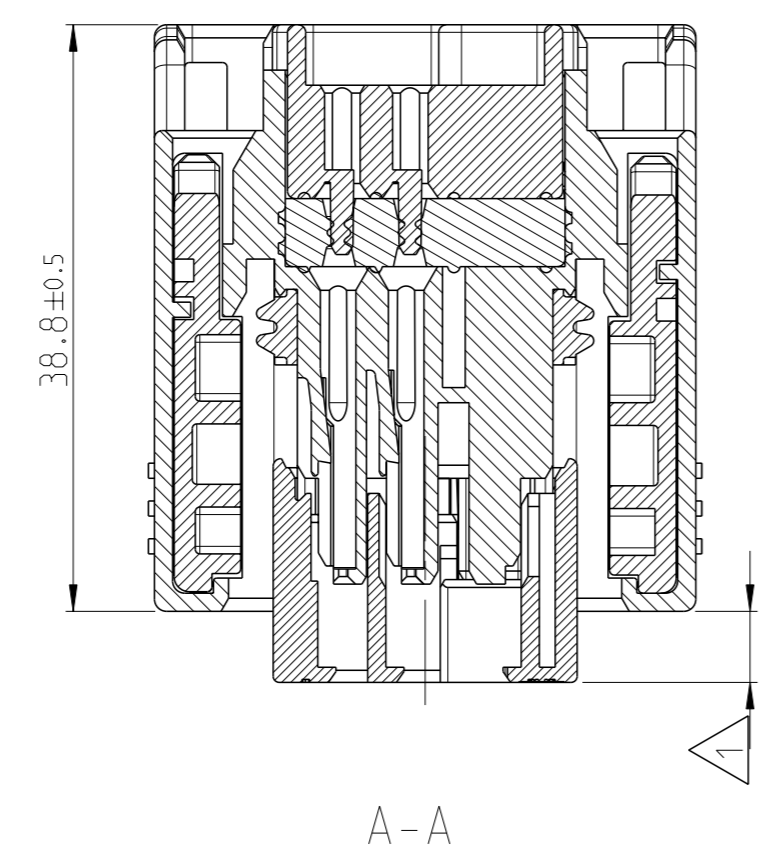
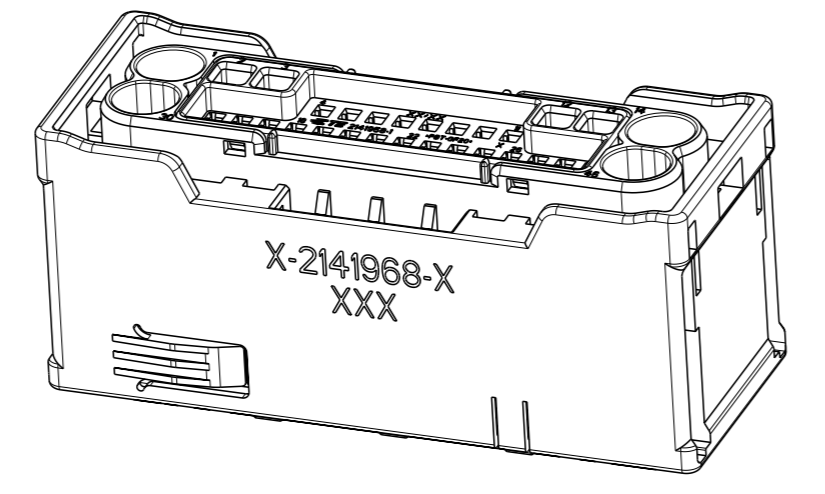
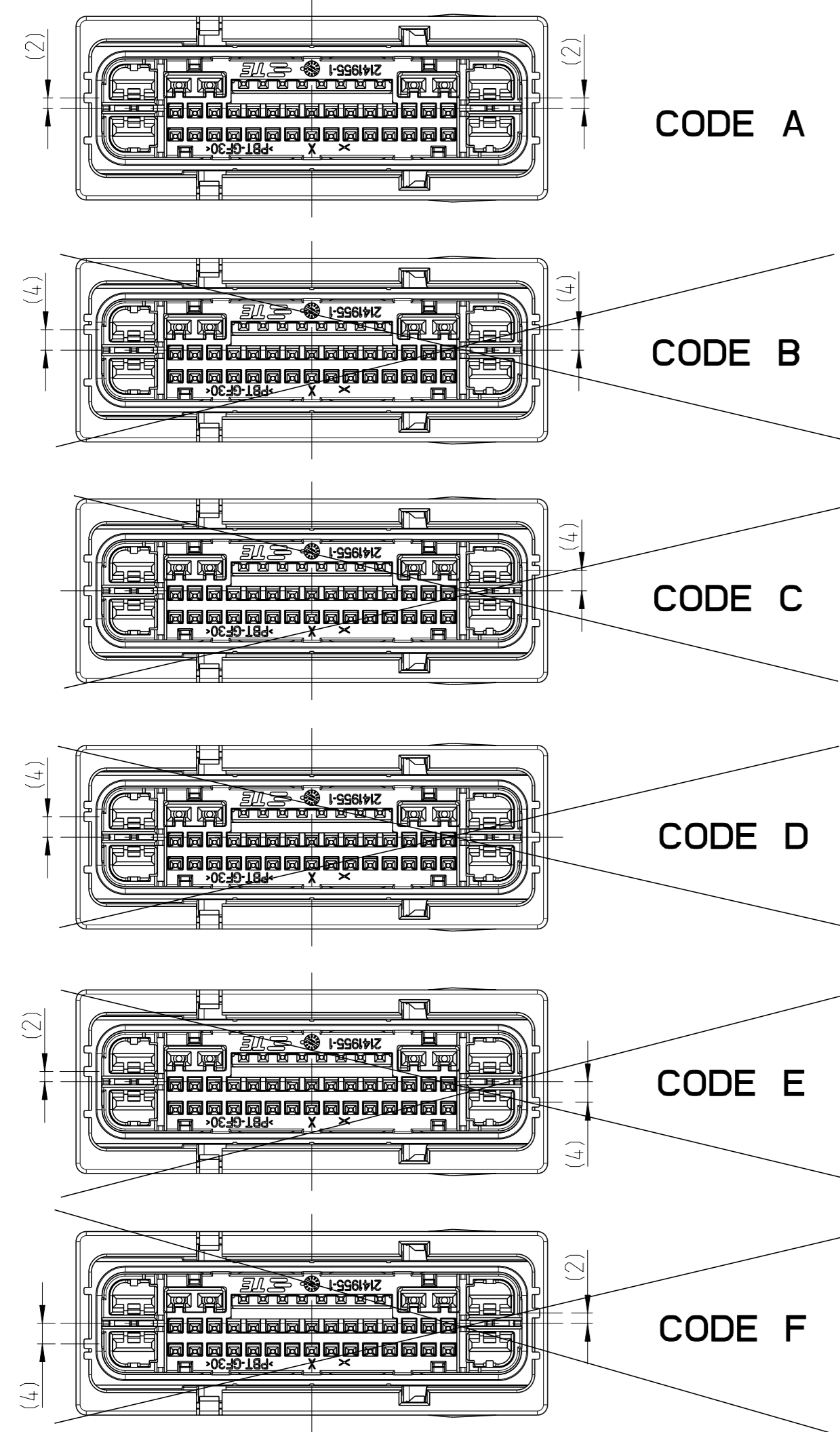
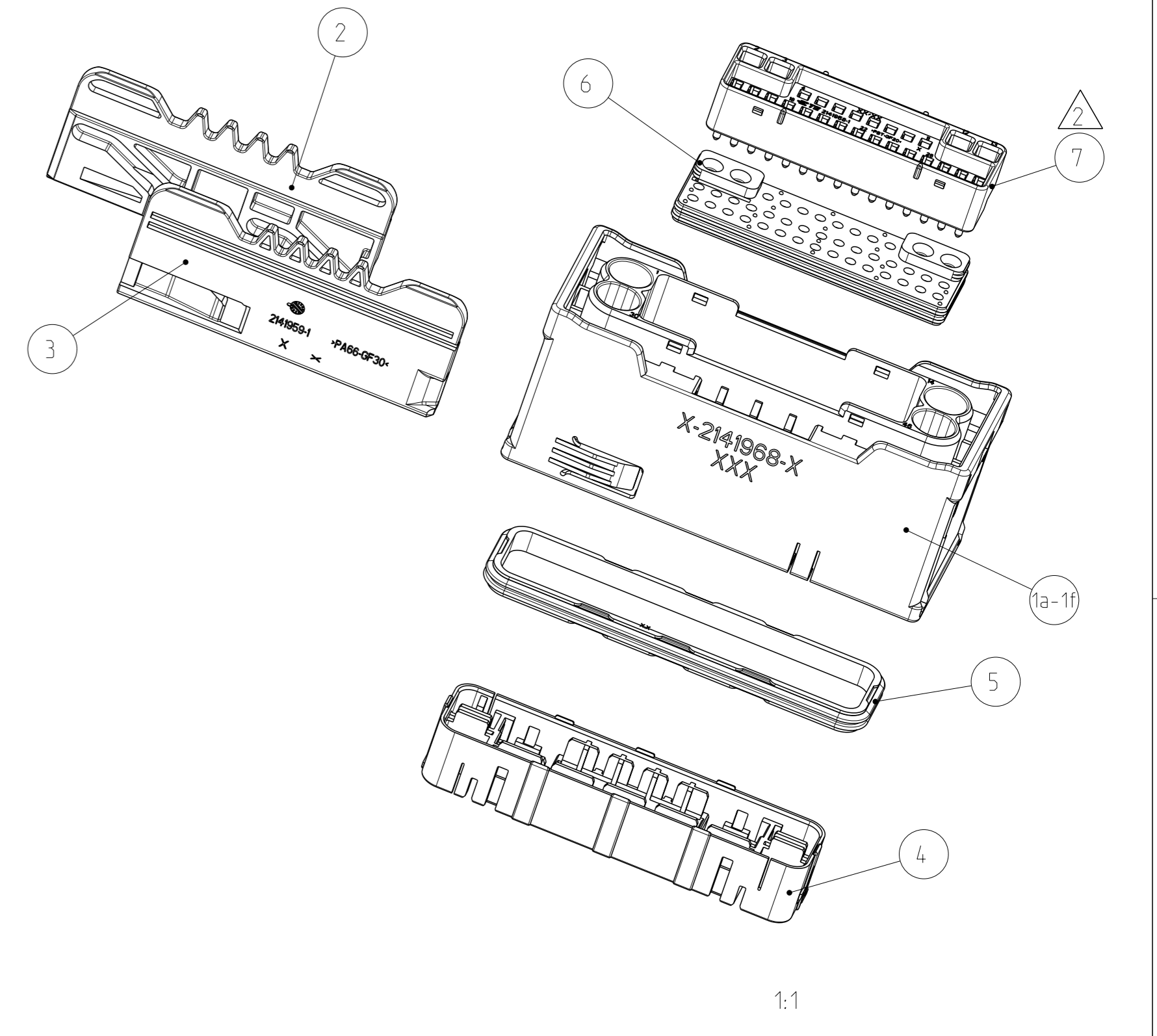


CODING OPTIONS

1:1

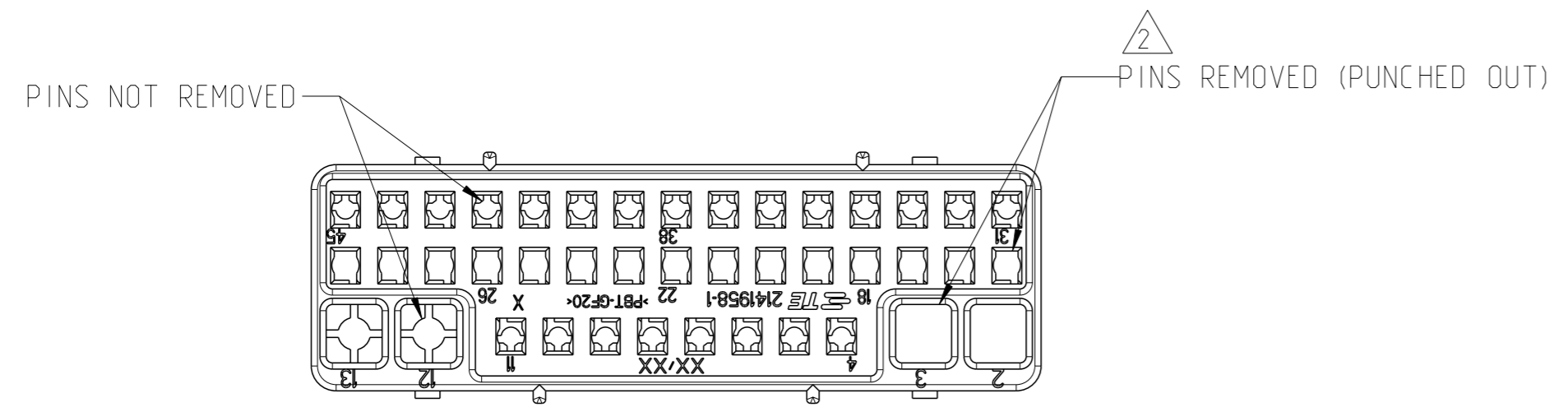


LOC	DIST	REVISIONS				
A1	-	REV	DESCRIPTION	DATE	OWN	APVD
		B15	ECR-17-011655	10AUG2017	V.W	I.Y
		B16	ECR-17-018020	24JAN2018	V.W	I.Y
		B17	ECR-18-012159	08AUG2018	E.Z	I.Y
		B18	ECR-18-010110	25OC 12018	E.Z	I.Y



APPLICABLE COMPONENTS BOX						
DESCRIPTION	PLATING / COLOUR	SUPPLIER	SUPPLIER PART NO. (WIRE SIZE)	TE APPL. SPEC	APPL. SPEC	APPL. CONTACT CAVITY NUMBER
0.64 GENERATION Y UNSEALED FEMALE TERMINAL	TIN	TE	2098753-6	114-13183	-	4-11, 15-29, 31-45
0.64 GENERATION Y UNSEALED FEMALE TERMINAL	TIN	TE	2098753-5	114-13183	-	4-11, 15-29, 31-45
2.8 UNSEALED FEMALE TERMINAL	TIN	FC1	54002231 (AWG 22)	-	-	2, 3, 12, 13
2.8 UNSEALED FEMALE TERMINAL	TIN	FC1	54001431 (AWG 14)	-	-	2, 3, 12, 13
2.8 UNSEALED FEMALE TERMINAL	TIN	FC1	54001839 (AWG 18)	-	-	2, 3, 12, 13
6.3 SEALED FEMALE TERMINAL	TIN	YAZAKI	7116-4140-02 (0.5-1.0mm ²)	-	-	1, 14, 30, 46
6.3 SEALED FEMALE TERMINAL	TIN	YAZAKI	7116-4141-02 (1.5mm ²)	-	-	1, 14, 30, 46
6.3 SEALED FEMALE TERMINAL	TIN	YAZAKI	7116-4142-02 (2.5-4.0mm ²)	-	-	1, 14, 30, 46
6.3 SEALED FEMALE TERMINAL	TIN	YAZAKI	7116-4143-02 (AWG 10)	-	-	1, 14, 30, 46
WIRE SEAL FOR 6.3 TERMINAL (SMALL)	RED	YAZAKI	7158-3081-50	-	-	-
WIRE SEAL FOR 6.3 TERMINAL (MEDIUM)	BLUE	YAZAKI	7158-3082-90	-	-	-
WIRE SEAL FOR 6.3 TERMINAL (LARGE)	BLACK	YAZAKI	7158-3083	-	-	-
WIRE SEAL FOR 6.3 TERMINAL (X-LARGE)	LIGHT GREY	YAZAKI	X39858-A400	-	-	-
PLUG FOR 6.3 TERMINAL	GREEN	YAZAKI	7158-3080-60	-	-	1, 14, 30, 46
WIRE COVER	BLACK	TE	2141969-1V-2	114-94044	-	-

MAT SEAL COVER PINOUT CONFIGURATION EXAMPLE



NOTES BEMERKUNGEN

- 1 DELIVERY CONDITION: SPACER (TPA) IN PRE-LOCK POSITION
- 2 APPROPRIATE PINOUT CONFIGURATION OF THE MAT SEAL COVER ACC. TABLE ON SHEET 2 TO BE PUNCHED OUT BEFORE ASSEMBLING THE MAT SEAL COVER
- 3 A THREE DIGIT MARKING AND THE TE CONNECTIVITY PART NUMBER ACC. PINOUT TABLE ON SHEET 2 LOCATED ON THE SIDE OF THE FEMALE HOUSING
- 4 PART MUST MATE WITH TE CONNECTIVITY INTERFACE SPECIFICATION 114-94025
- 5 SEALING FUNCTION OF THE MAT SEAL REQUIRES THE FOLLOWING WIRE SIZE DIMENSIONS:
0.35mm²-0.75mm² WITH CABLE OUTER DIAMETER 1.2-1.9mm FOR 0.64mm GENERATION Y SIGNAL TERMINALS
1.0mm²-4.0mm² WITH CABLE OUTER DIAMETER 1.9-3.7mm FOR FCI APEX 2.8mm POWER TERMINALS
- 6 ONLY FOR INFORMATION. CHECK LATEST REVISION OF THE SUPPLIER SPECIFICATION FOR TERMINAL PROPERTIES
- 7 MATING INTERFACE ACCORDING TE SPECIFICATION 114-94025
- 8 OPTIONAL DIMENSIONS CAN BE 5mm and 6mm

QTY REQUESTED PER ASSEMBLY	PARTS LIST		
1	PBT-GF20	MAT SEAL COVER	BLACK RAL 9011 7
1	SILICONE	MAT SEAL	LIGHT BLUE 2
1	SILICONE	PERIPHERAL SEAL	LIGHT BLUE 5
1	PBT-GF30	SPACER (TPA)	RED RAL 3000 4
1	PA66-GF30	SLIDER LEFT	BLACK RAL 9011 3
1	PA66-GF30	SLIDER RIGHT	BLACK RAL 9011 2
1	PBT-GF20	HOUSING, CODE F	BLACK RAL 9011 1f
1	PBT-GF20	HOUSING, CODE E	BLACK RAL 9011 1e
1	PBT-GF20	HOUSING, CODE D	BLACK RAL 9011 1d
1	PBT-GF20	HOUSING, CODE C	BLACK RAL 9011 1c
1	PBT-GF20	HOUSING, CODE B	BLACK RAL 9011 1b
1	PBT-GF20	HOUSING, CODE A	BLACK RAL 9011 1a
-	X-2141968-X	MATERIAL	DESCRIPTION COLOUR ITEM NO.
-	SEE SHEET 2		REVISION OF EACH ASSEMBLY NUMBER
-	85		WEIGHT OF EACH ASSEMBLY NUMBER (g)

THIS DRAWING IS A CONTROLLED DOCUMENT.

OWN: G. HOIEA	25MAY2011	TE Connectivity ASSEMBLY 46WAY ABS CONNECTOR
CHK: H. RIPPER	25MAY2011	
APVD: G. MUMPER	25MAY2011	
PRODUCT SPEC		
DIMENSIONS: mm	TOLERANCES UNLESS OTHERWISE SPECIFIED:	NAME
0 PLC ±	1 PLC ±	SIZE
2 PLC ±	3 PLC ±	CAGE CODE
4 PLC ±	ANGLES ±	DRAWING NO.
MATERIAL	FINISH	RESTRICTED TO
		114-94044
		00779
		©=2141968
Customer Drawing	SCALE: 5:1	SHEET 1 OF 2
		REV: B18

