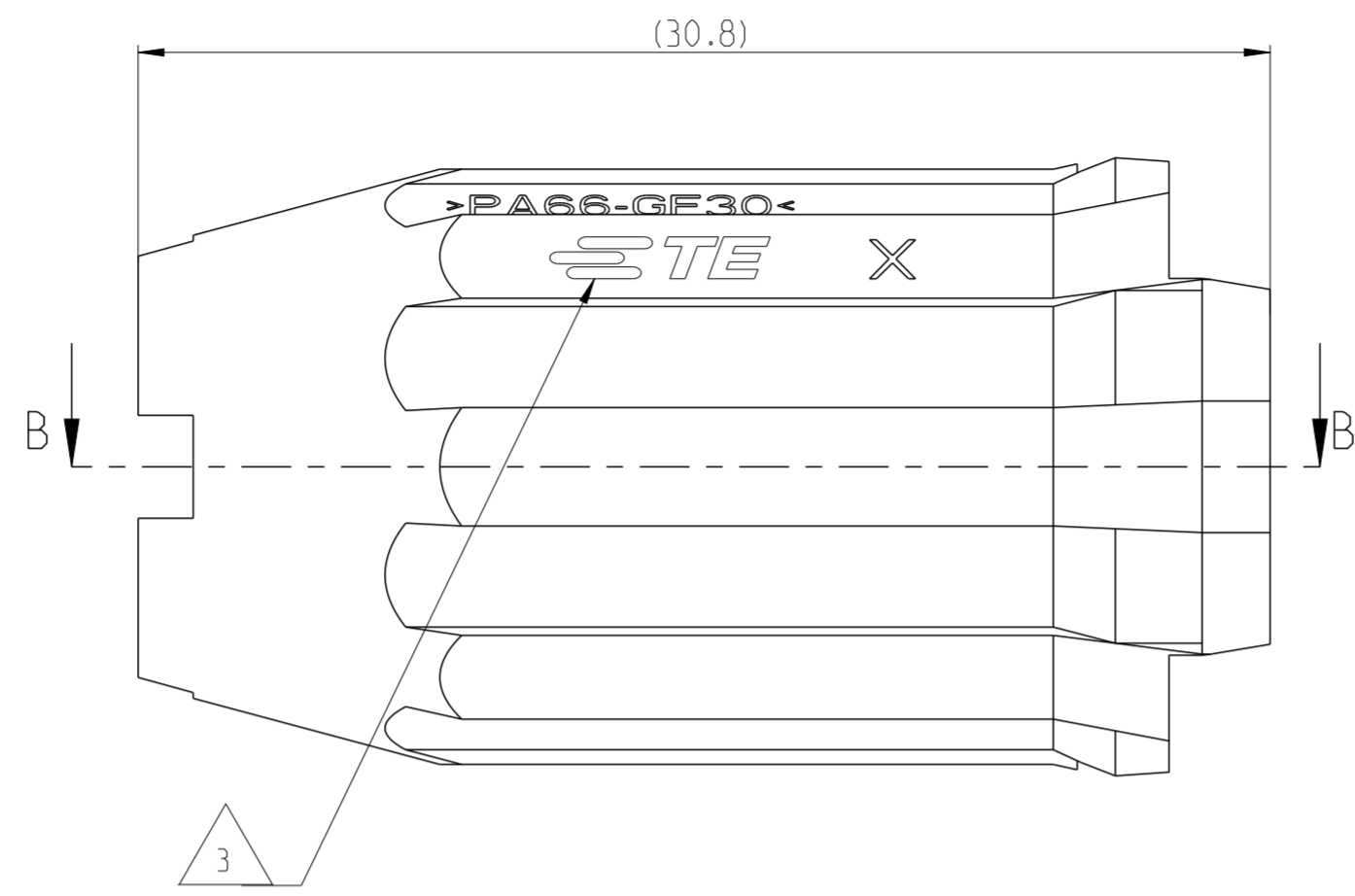
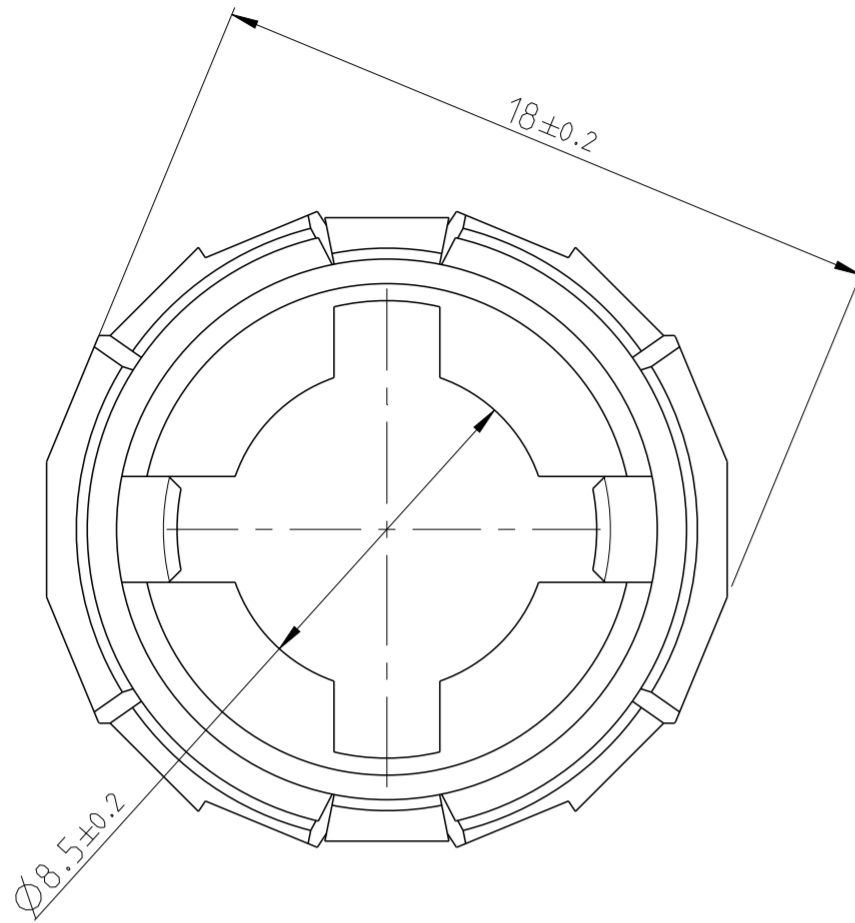
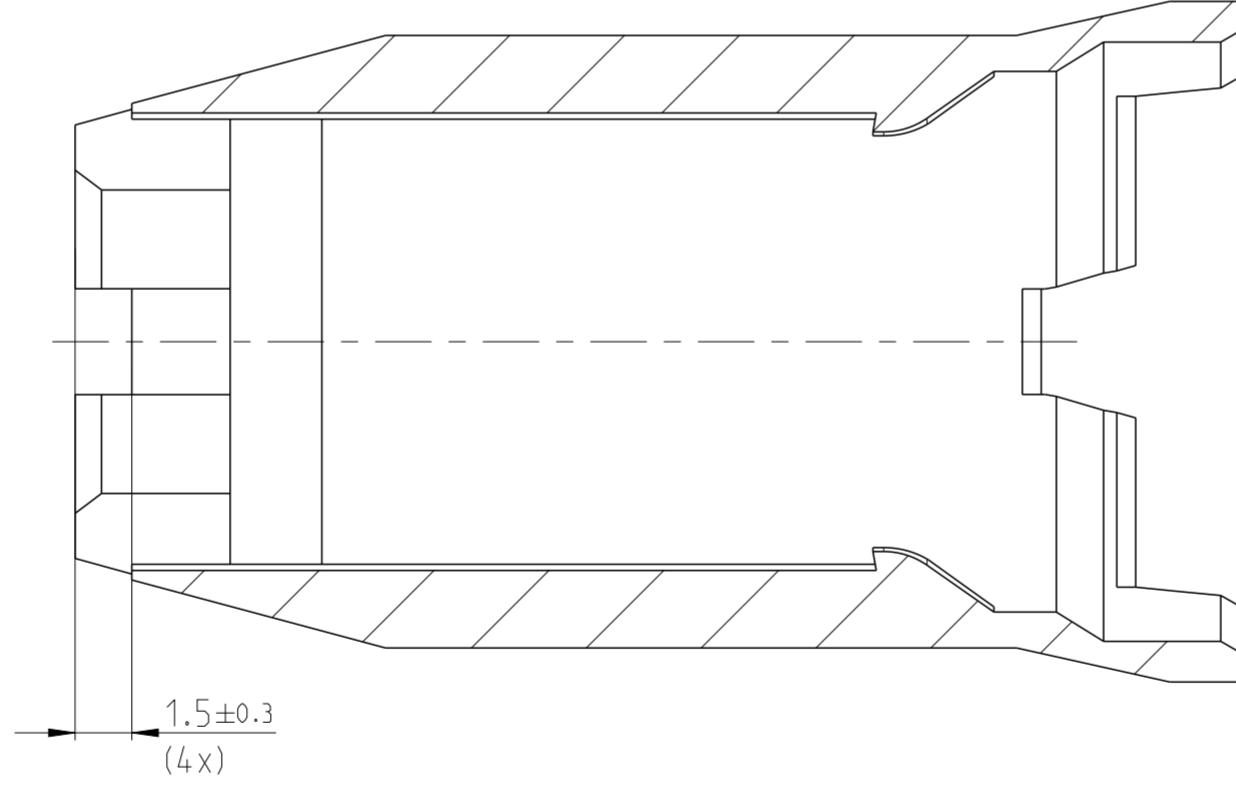


THIS DRAWING IS UNPUBLISHED. RELEASED FOR PUBLICATION 2013
 © COPYRIGHT 2013 Tyco Electronics AMP GmbH ALL RIGHTS RESERVED.

LOC	DIST	REVISIONS			
P	LTR	DESCRIPTION	DATE	DWN	APVD
A1	-	B	Obsolete part on sheet 2	13APR2015	WSA DHV
		C	DIM added in section B-B	11DEC2015	WSA DHV
		C1	New dash variant added to table	13SEP2018	VS TS



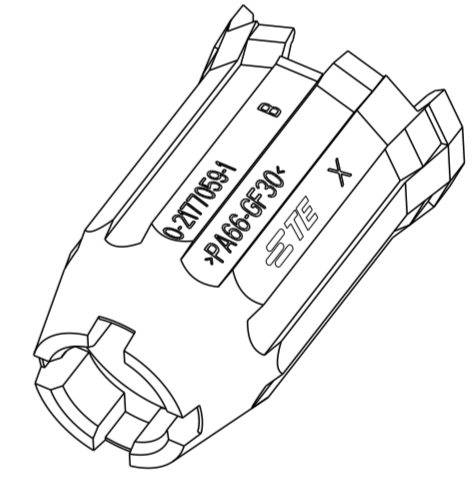
B-B



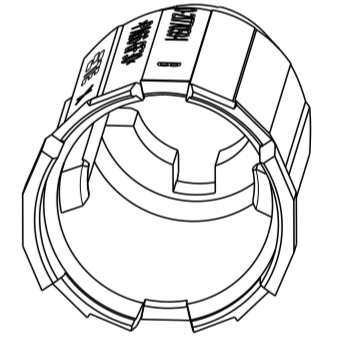
NOTES:

Bemerkungen:

- 1 ONLY THE GERMAN LANGUAGE IS AUTHORITATIVE
Maßgebend ist der deutsche Text
- 2 PACKAGING: BULK PACKAGING IN PLASTIC BAG AND SHIPPING BOX
Verpackung: Schuettgut in Folienbeutel und Versandkarton
- 3 SUPPLIER-MARK
Lieferanten Kennzeichnung



2:1



2:1

NOTE Bem.	FEATURE Merkmal
4	PRODUCT-SPEC. Produkt-Spez.
5	APPLICATION-SPEC. 114-94130 Verarbeitungs-Spez.

0- -1 AS SHOWN wie gezeichnet

TE-PART-NO.	DESCRIPTION	MATERIAL	VOLUME [cm ³]	DENSITY [g/cm ³]	WEIGHT [g]	COLOUR	TOOL
5-2177059-1	FINGER PROT CAP 8MM HV.180 DEG Fingerschutzkappe 8mm HV. 180 Grad	PA66-GF30 PN 2136618-1 W. 2.5% - 4% BATCH PN 1-1573748-0	1.254	1.36	1.7	DUSTY GREY RAL 7037	SERIAL-TOOL Serien-Werkzeug
0-2177059-1	FINGER PROT CAP 8MM HV.180 DEG Fingerschutzkappe 8mm HV. 180 Grad	PA66-GF30 PN 0-0702281-1 W. 2.5% - 4% BATCH PN 0-1573806-1	1.254	1.36	1.7	ORANGE RAL 2003	SERIAL-TOOL Serien-Werkzeug

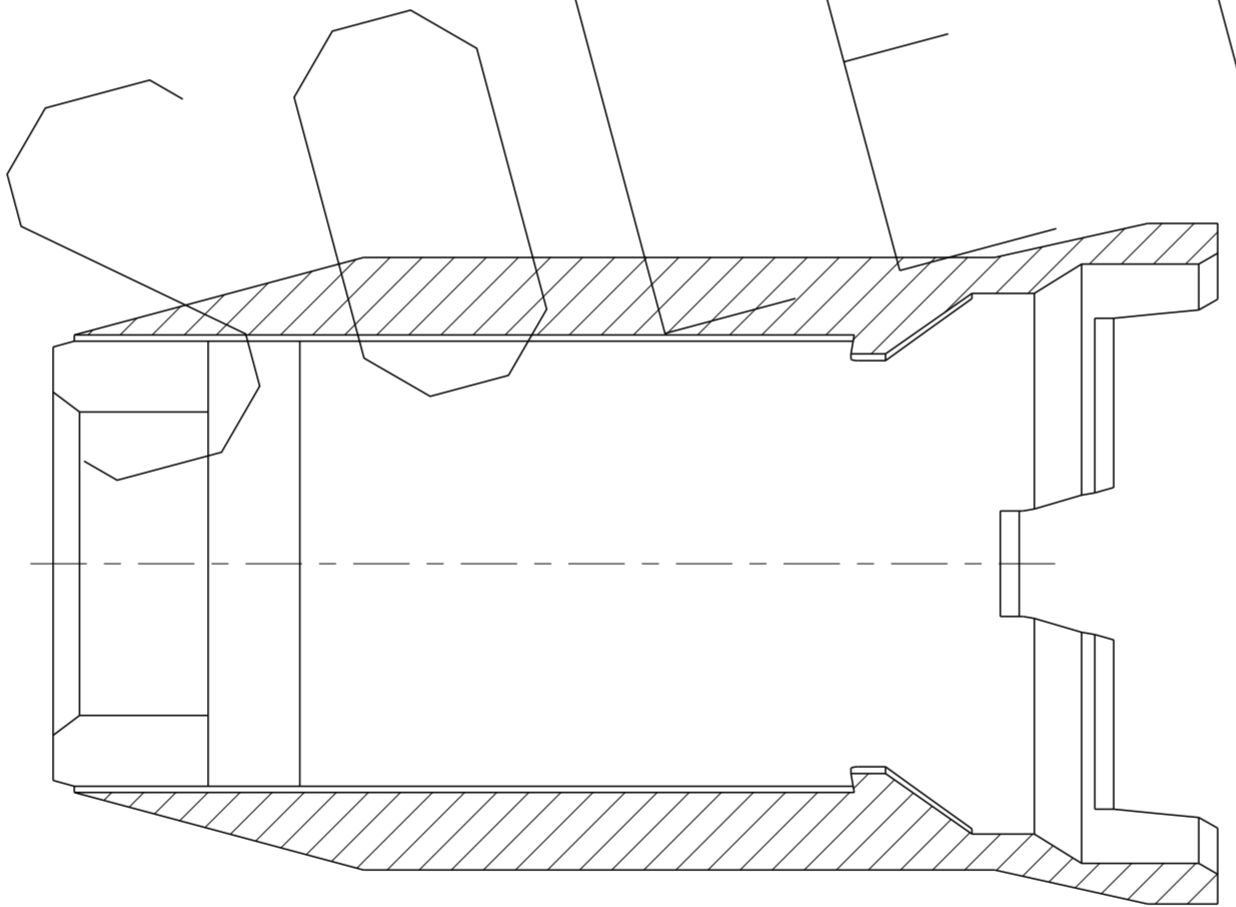
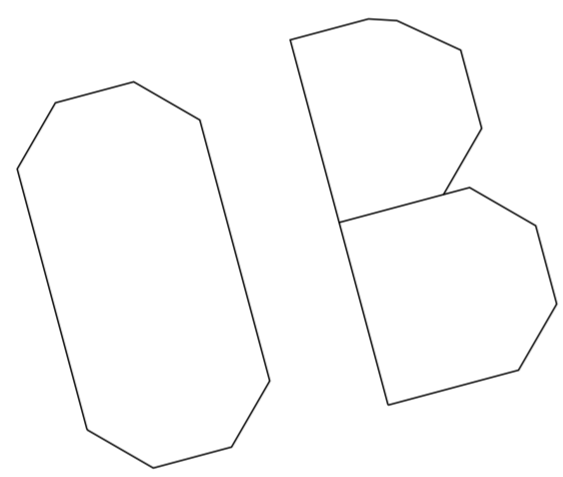
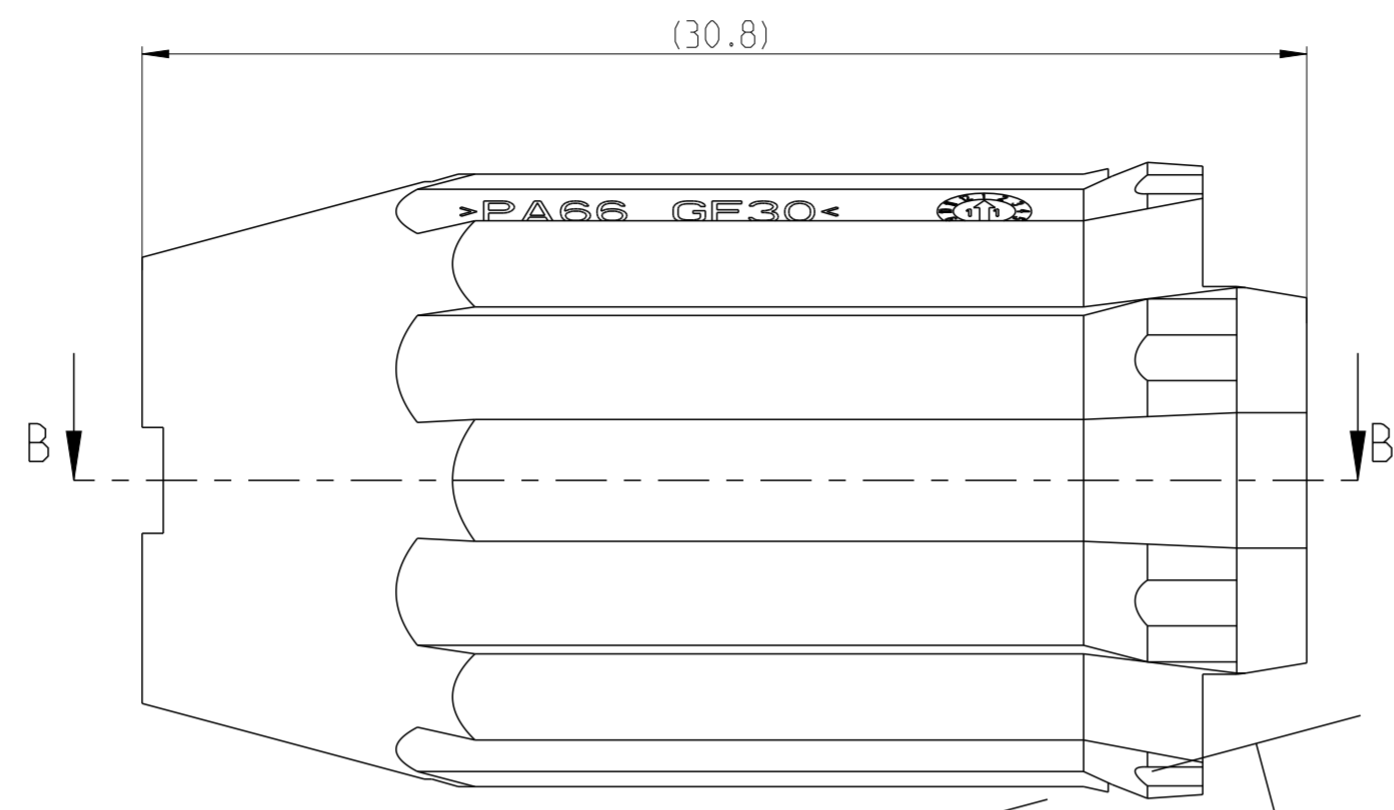
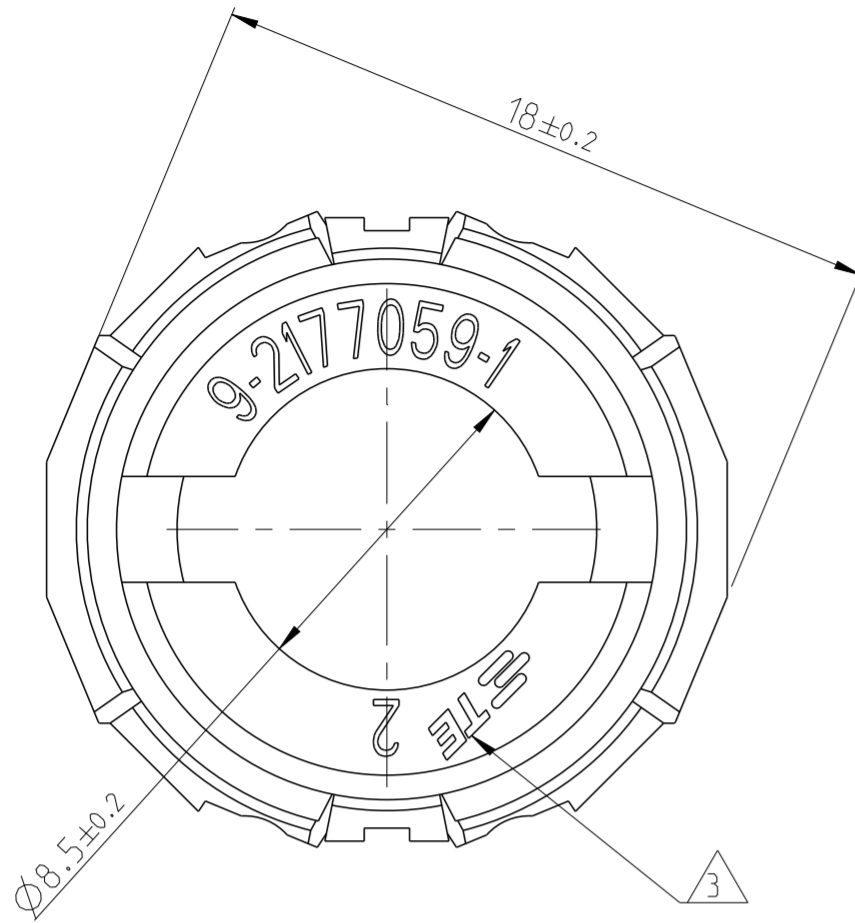


THIS DRAWING IS A CONTROLLED DOCUMENT. DIMENSIONING AND TOLERANCING PER GPS (ISO STANDARDS).

DIMENSIONS: mm	TOLERANCES UNLESS OTHERWISE SPECIFIED:	DWN I. Salman 18MAY2011	 TE Connectivity
	0 PLC ± DIN ISO	CHK U. Hoepfner 19MAY2011	
	1 PLC ± 2768	APVD D. H. Yu 19MAY2011	
	2 PLC ± - mK	NAME	
MATERIAL SEE TABLE	FINISH SEE TABLE	PRODUCT SPEC	NAME
		APPLICATION SPEC	SIZE CAGE CODE DRAWING NO RESTRICTED TO
		WEIGHT SEE TABLE	A2 00779 C-2177059
		Customer Drawing	SCALE 5:1 SHEET 1 OF 2 REV C1

THIS DRAWING IS UNPUBLISHED. RELEASED FOR PUBLICATION 2011
 © COPYRIGHT 2011 Tyco Electronics AMP GmbH ALL RIGHTS RESERVED.

LOC	DIST	REVISIONS			
P	LTR	DESCRIPTION	DATE	DWN	APVD
-	-	SEE SHEET 1	-	-	-
-	-		-	-	-
-	-		-	-	-

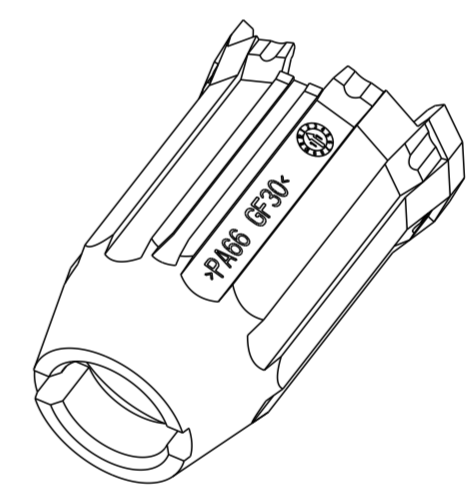


B-B

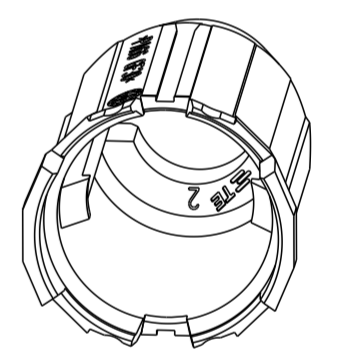
NOTES:

Bemerkungen:

- 1 ONLY THE GERMAN LANGUAGE IS AUTHORITATIVE
Maßgebend ist der deutsche Text
- 2 PACKAGING: BULK PACKAGING IN PLASTIC BAG AND SHIPPING BOX
Verpackung: Schüttgut in Folienbeutel und Versandkarton
- 3 SUPPLIER-MARK
Lieferanten Kennzeichnung



2:1



2:1

9- -1 AS SHOWN wie gezeichnet

NOTE Bem.	FEATURE Merkmal
4	PRODUCT-SPEC. 108-94297 Produkt-Spez.
5	APPLICATION-SPEC. 114-94130 Verarbeitungs-Spez.

TE-PART-NO.	DESCRIPTION	MATERIAL	VOLUME [cm ³]	DENSITY [g/cm ³]	WEIGHT [g]	COLOUR	TOOL
9-2177059-1	FINGER PROT CAP 8MM HV, 180 DEG Fingerschutzkappe 8mm HV, 180 Grad	PA66-GF30 PN 0-0702281-1 W: 2.5% - 4% BATCH PN 0-1573806-1	1.285	1.36	1.75	ORANGE RAL 2003	LOW-VOLUME-TOOL Kleinserien-Werkzeug

THIS DRAWING IS A CONTROLLED DOCUMENT. DIMENSIONING AND TOLERANCING PER GPS (ISO STANDARDS).

DIMENSIONS: mm	TOLERANCES UNLESS OTHERWISE SPECIFIED:	DWN I.Salman 18MAY2011	TE Connectivity
	0 PLC ±	CHK U.Hoepfner 19MAY2011	
	1 PLC ± DIN ISO 2768	APVD D.H.Vu 19MAY2011	
	2 PLC ± - mK	PRODUCT SPEC	
	3 PLC ±	APPLICATION SPEC	NAME FINGER PROT CAP 8MM HV, 180 DEG Fingerschutzkappe 8mm HV, 180 Grad
	4 PLC ±	WEIGHT SEE TABLE A2	SIZE CAGE CODE DRAWING NO RESTRICTED TO
MATERIAL SEE TABLE	FINISH SEE TABLE	Customer Drawing	A2 00779 C-2177059 -
SCALE 1:1			SHEET 2 OF 2 REV C1