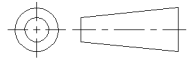


DO NOT SCALE

DIMENSIONS IN mm

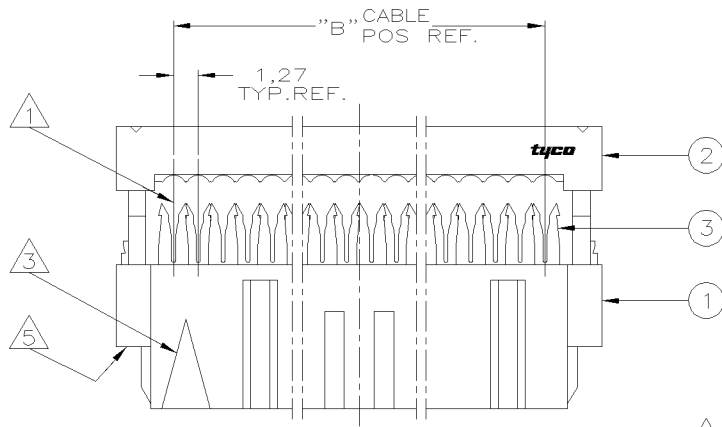
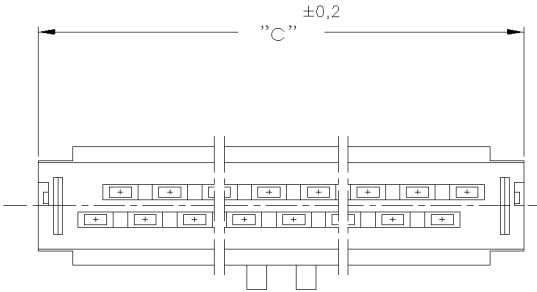
METRIC

THIRD ANGLE  
PROJECTION

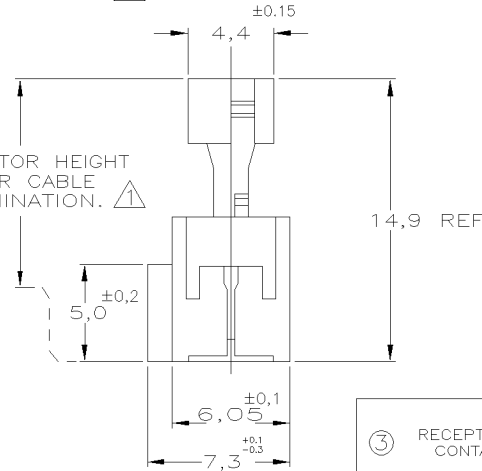


NOTES:

- ① CONNECTOR IS DESIGNED FOR FLAT RIBBON CABLE ON 1,27 CENTERS .  
FOR CABLE REQUIREMENTS SEE AMP APPLICATION SPECIFICATION 114-19022.
- ② THESE RECEPTACLE CONNECTORS MATE WITH 0,64<sup>+0,05</sup>mm SQUARE OR ROUND POSTS  
ON 2,54mm GRID.
- ③ MARK INDICATING FIRST CABLE POSITION REFERRING TO CONTACT POSITION.
- ④ THERE IS NO POLARIZATION-SLOT AT THIS END IN 6, 10 AND 14 POS CONNECTORS.
- ⑤ THESE CONNECTORS CAN BE USED IN CONJUNCTION WITH STRAIN-RELIEF COVERS  
OF PARTNR: 100103.
- ⑥ THERE IS NO POLARIZATION-SLOT AT THIS END IN 6 POS CONNECTORS.
- ⑦ PRODUCT SPECIFICATION 108-19033.



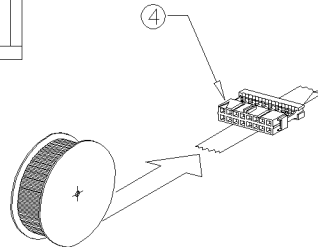
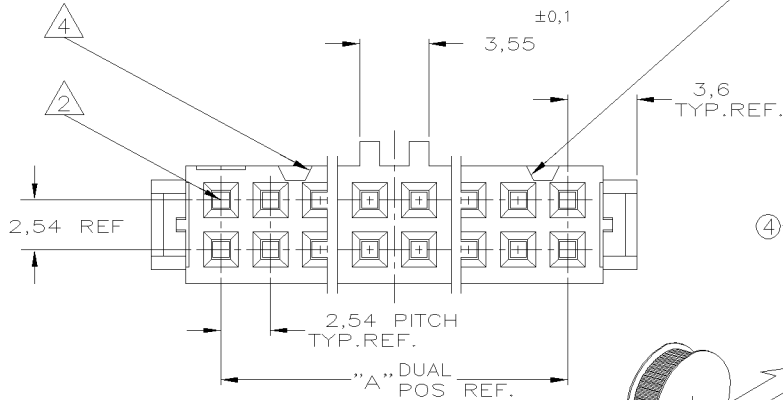
CONNECTOR HEIGHT  
AFTER CABLE  
TERMINATION. ①



1000	85,9	64	32	6-215915-4	D	
1000	80,8	60	30	6-215915-0	D	
1000	68,1	50	25	5-215915-0	D	
1500	60,5	44	22	4-215915-4	D	
1500	55,4	40	20	4-215915-0	D	
1500	47,8	34	17	3-215915-4	D	
1500	42,7	30	15	3-215915-0	D	
1500	37,6	26	13	2-215915-6	D	
1500	30,0	20	10	2-215915-0	D	
1500	24,9	16	8	1-215915-6	D	
1500	22,4	14	7	1-215915-4	D	
1500	17,3	10	5	1-215915-0	D	
OBSOLETE	1560	14,8	8	4	0-215915-8	B
1500	12,2	6	3	0-215915-6	D	
OBSOLETE	1560	9,7	4	2	0-215915-4	B

QUANTITY PER REEL	DIM."C"	"B" CABLE POS.	"A" DUAL POS.	PARTNUMBER	PART REV.
					④

③ RECEPTACLE CONTACT	PHOSPHORBRONZE Cu Sn6	AT CONTACT-PLACE: 0,8μ GOLD AT WIRING END: 2,5μ TIN ENTIRE UNDERCOATING: 1,27μ NICKEL
② COVER	THERMOPLASTIC POLYESTER GF UL 94 -V0	GREY RAL 7032 ONLY FOR REF.
① HOUSING		



COMPONENT NAME				MATERIAL		PLATING / COLOUR	
CUSTOMER DRAWING				FOR REFERENCE ONLY WILL NOT BE UPDATED			
© COPYRIGHT 19 - BY AMP HOLLAND B.V.				ALL INTERNATIONAL RIGHTS RESERVED. AMP PRODUCTS MAY BE COVERED BY U.S. AND FOREIGN AND/OR PATENTS PENDING.			
THIS DRAWING IS UNPUBLISHED				RELEASED FOR PUBLICATION - ,19 -			
D5 ECR06-29576		A.V.	R.M.	15-12-06	AMP ITALIA S.p.A Corso F.LLI Cervi, 15 COLLEGNO (TORINO)		
D4 ET00-0243-04		A.V.	R.M.	21-03-05	AMP LATCH MIL-TYPE RECEPT. CONN. ASS'Y 14,9 PRE-ASSEMBLED 0,8 μM TAPE MOUNTED ON REEL. ④		
D3 ET00-0159-04		A.V.	R.M.	13-07-04	NAME		
D2 ET00-0180-03		A.V.	R.M.	19-01-04	SIZE		
D1 ET00-0093-03		SS	-	23-05-03	SHEET		
D H-7482		JvL	RV	29-10-92	REV.LTR.		
LTR: REVISION RECORD		DR. CHK. DATE		DWG.No.		REV.LTR.	
DR.: R.HOGEVEN		CHK.: R.VERSTUJEN		APP.: LV.SOEST		C-215915	
DATE: 02-02-88		DATE: 03-02-88		DATE: 03-02-88		A3	
8		7		6		5	
4		3		2		1	