

2109005-1 ✓ ACTIVE

## Multilock Connector System

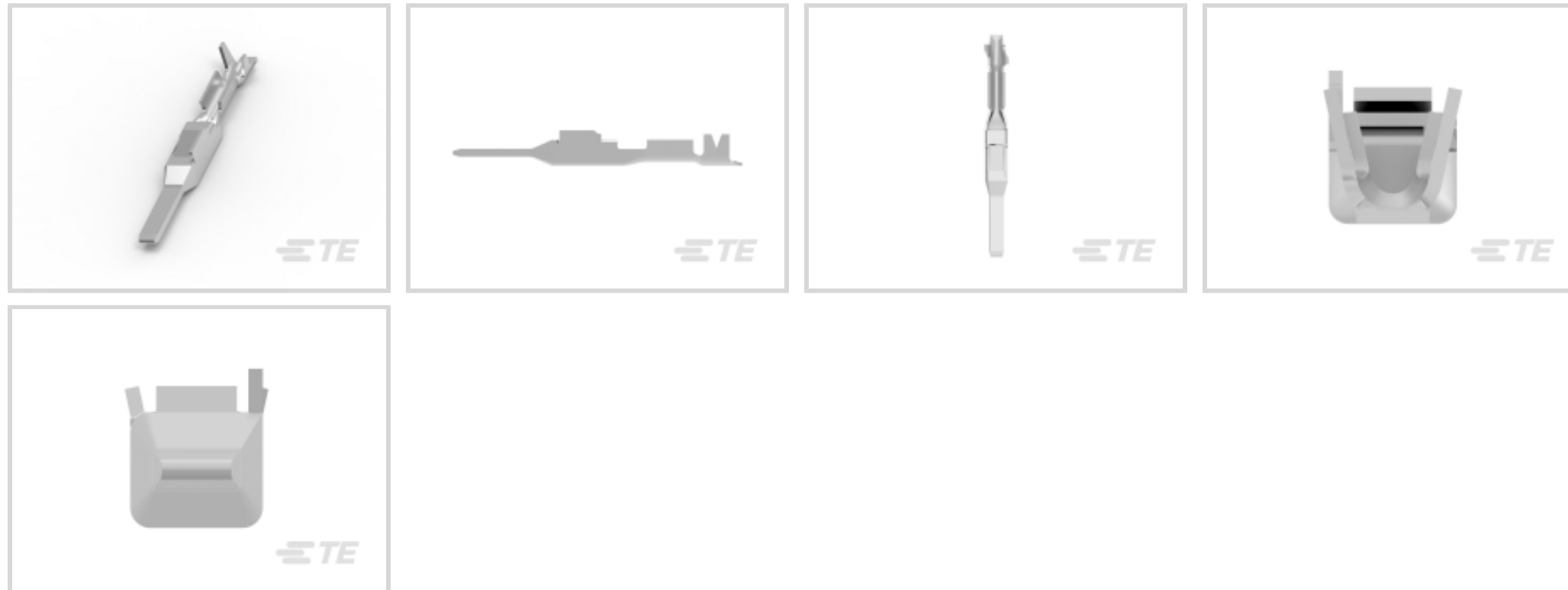
TE Internal #: 2109005-1

Automotive Terminals, Tab, Mating Tab Width 1.5 mm [.059 in], Tab Thickness .025 in [.63 mm], 24 – 22 AWG Wire Size, Multilock Connector System

[View on TE.com >](#)



Terminals & Splices > Automotive Terminals > MULTILOCK, RECEPTACLE AND TAB



Terminal Type: **Tab**

Mating Tab Width: **1.5 mm [.059 in]**

Mating Tab Thickness: **.63 mm [.025 in]**

Terminal Transmits: **0 – 24 A (Low Power)**

Wire Size: **24 – 22 AWG**

[All MULTILOCK, RECEPTACLE AND TAB \(142\)](#)

## Features

### Product Type Features

Sealable	No
Primary Locking Feature	Locking Lance

### Contact Features

Contact Size	1.5mm
Contact Fabrication	Stamped & Formed
Crimp Type	F-Crimp
Terminal Type	Tab
Mating Tab Width	1.5 mm[.059 in]
Mating Tab Thickness	.63 mm[.025 in]
Interface Plating	Tin (Sn)

### Termination Features

Termination Method to Wire & Cable	Crimp
------------------------------------	-------



Product Terminates To

Wire

### Dimensions

Wire Size

.22 – .35 mm<sup>2</sup>

Wire Size Search

22 AWG, 23 AWG, 24 AWG

Wire Insulation Diameter

1 – 1.5 mm [.039 – .059 in]

### Usage Conditions

Insulation Option

Uninsulated

Operating Temperature (Max)

70 °C, 75 °C, 80 °C [158 °F][167 °F][176 °F]

Operating Temperature Range

-40 – 80 °C [-40 – 176 °F]

### Operation/Application

Compatible With Wire Base Material

Copper

### Industry Standards

Agency/Standard

OEM

### Packaging Features

Packaging Method

Reel

Packaging Quantity

7000

### Other

Terminal Transmits

0 – 24 A (Low Power)

## Product Compliance

[For compliance documentation, visit the product page on TE.com>](#)

EU RoHS Directive 2011/65/EU

Compliant

EU ELV Directive 2000/53/EC

Compliant

China RoHS 2 Directive MIIT Order No 32, 2016

No Restricted Materials Above Threshold

EU REACH Regulation (EC) No. 1907/2006

Current ECHA Candidate List: JUNE 2022 (224)  
 Candidate List Declared Against: JAN 2022 (223)  
 SVHC > Threshold:  
 Not Yet Reviewed

Halogen Content

Low Halogen - Br, Cl, F, I < 900 ppm per homogenous material. Also BFR/CFR/PVC Free

Solder Process Capability

Not applicable for solder process capability

Product Compliance Disclaimer

This information is provided based on reasonable inquiry of our suppliers and represents our current actual knowledge based on the information they provided. This information is subject to change. The part numbers that TE has identified as EU RoHS compliant have a maximum concentration of 0.1% by weight in homogenous materials for lead, hexavalent chromium, mercury, PBB, PBDE, DBP, BBP, DEHP, DIBP, and 0.01% for cadmium, or qualify for an exemption to these limits as defined in the Annexes of Directive 2011/65/EU (RoHS2). Finished electrical and electronic equipment products will be CE marked as required by Directive 2011/65/EU. Components may not be CE marked. Additionally, the part numbers that TE has identified as EU ELV compliant have a maximum concentration of 0.1% by weight in homogenous materials for lead, hexavalent chromium, and mercury, and 0.01% for cadmium, or qualify for an exemption to these limits as defined in the Annexes of Directive 2000/53/EC (ELV). Regarding the REACH Regulation, the information TE provides on SVHC in articles for this part number is based on the latest European Chemicals Agency (ECHA) 'Guidance on requirements for substances in articles' posted at this URL: <https://echa.europa.eu/guidance-documents/guidance-on-reach>

## Compatible Parts



TE Part # 2305570-1  
TERMINAL CUTTER, SIDE FEED



TE Part # 2109335-2  
025/060/110 DOOR 50P CAP ASSY



TE Part # CAT-T319-CH8172  
TH/.025 CONNECTOR SYSTEM, HOUSING



TE Part # 2-2266965-1  
OCEAN\_2.0\_APPLICATOR-S-050F0700



TE Part # 2-2266965-2  
OCEAN\_2.0\_APPLICATOR-S-050F0700



TE Part # 2266965-1  
OCEAN\_2.0\_APPLICATOR-S-050F0700



TE Part # 2266965-2  
OCEAN\_2.0\_APPLICATOR-S-050F0700




TE Part # 7-2266965-7  
OCEAN\_2.0\_SPARE\_PART\_KIT-050F0700

## Also in the Series | Multilock Connector System




Automotive Connector Caps & Covers (16)



Automotive Connector EMC Shielding (1)



Automotive Connector Locks & Position Assurance(2)



Automotive Housings(575)



Automotive Seals & Cavity Plugs(2)



Automotive Terminals(140)



Insertion & Extraction Tools(6)

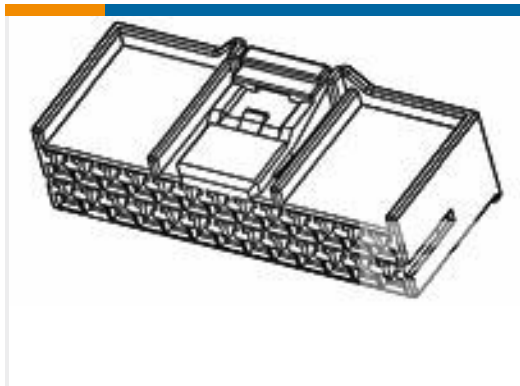


Other Automotive Connector Accessories(9)



PCB Headers & Receptacles(129)

## Customers Also Bought



TE Part #936095-1  
090III 20P PLUG ASSY



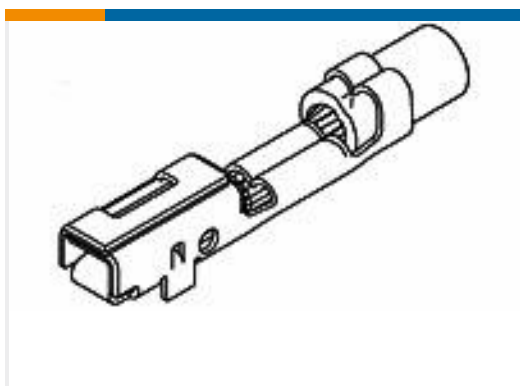
TE Part #2209441-1  
2W SPLASH PROOF CONN. W.S.L. JPT



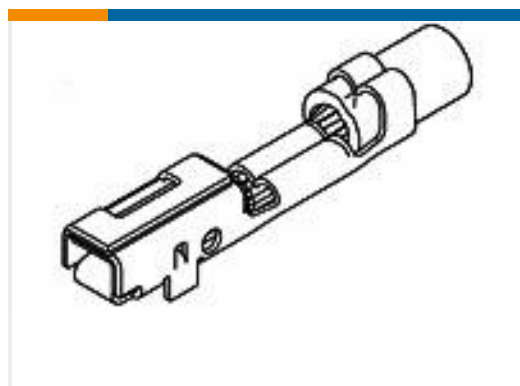
TE Part #368086-1  
MULTILOCK, RECEPTACLE AND TAB



TE Part #2005154-1  
025 TAB CONTACT(S)



TE Part #368083-1  
090II NON SLD REC(SQ.2.0)



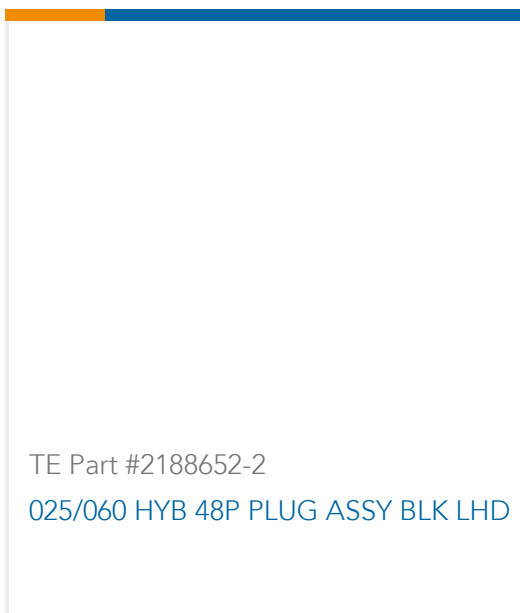
TE Part #368084-1  
090II NON SLD REC(SQ0.85-1.25)



TE Part #2005098-1  
025 TAB CONTACT(SS)



TE Part #2109517-1  
025/060/110 HYB 25P CAP ASSY



TE Part #2188652-2  
025/060 HYB 48P PLUG ASSY BLK LHD

## Documents



### Product Drawings

#### 060 TAB(SS) CONT

English

---

### CAD Files

#### 3D PDF

3D

#### Customer View Model

[ENG\\_CVM\\_CVM\\_2109005-1\\_A.2d\\_dxf.zip](#)

English

#### Customer View Model

[ENG\\_CVM\\_CVM\\_2109005-1\\_A.3d\\_igs.zip](#)

English

#### Customer View Model

[ENG\\_CVM\\_CVM\\_2109005-1\\_A.3d\\_stp.zip](#)

English

By downloading the CAD file I accept and agree to the [Terms and Conditions](#) of use.

---

### Datasheets & Catalog Pages

#### MULTILOCK Connector System

English

---

### Product Specifications

#### Application Specification

English

---

### Instruction Sheets

#### Instruction Sheet (non U.S.)

English