



Connectors > Circular Connectors > Circular Connector Accessories > Circular Connector Caps & Covers > CPC SEALED ACCESSORIES



Protection & Strain Relief Accessory Type: **Sealing Cap**  
 Compatible With Circular Connector Shell Size: **13**  
 Cap to Flange Attachment: **Plastic Strap**  
 Operating Temperature Range: **-55 – 105 °C [-67 – 221 °F]**

[All CPC SEALED ACCESSORIES \(2\)](#)

**Features**

**Product Type Features**

Product Type	Accessory
Protection & Strain Relief Accessory Type	Sealing Cap

**Body Features**

Sealing Cap Material	Thermoplastic
Color	Black
Cap Material	Thermoplastic

**Mechanical Attachment**

Cap to Flange Attachment	Plastic Strap
--------------------------	---------------

**Usage Conditions**

Operating Temperature Range	-55 – 105 °C[-67 – 221 °F]
-----------------------------	----------------------------

**Operation/Application**

Compatible With Circular Connector Shell Size	13
---	----

**Packaging Features**

--	--

Packaging Quantity	100
--------------------	-----

Packaging Method	Bag
------------------	-----

## Product Compliance

[For compliance documentation, visit the product page on TE.com>](#)

EU RoHS Directive 2011/65/EU	Compliant
------------------------------	-----------

EU ELV Directive 2000/53/EC	Compliant
-----------------------------	-----------

China RoHS 2 Directive MIIT Order No 32, 2016	No Restricted Materials Above Threshold
---	---

EU REACH Regulation (EC) No. 1907/2006	Current ECHA Candidate List: JUNE 2022 (224) Candidate List Declared Against: JUL 2021 (219) SVHC > Threshold: Not Yet Reviewed
--	--

Halogen Content	Low Halogen - Br, Cl, F, I < 900 ppm per homogenous material. Also BFR/CFR/PVC Free
-----------------	---

Solder Process Capability	Not applicable for solder process capability
---------------------------	--

### Product Compliance Disclaimer

This information is provided based on reasonable inquiry of our suppliers and represents our current actual knowledge based on the information they provided. This information is subject to change. The part numbers that TE has identified as EU RoHS compliant have a maximum concentration of 0.1% by weight in homogenous materials for lead, hexavalent chromium, mercury, PBB, PBDE, DBP, BBP, DEHP, DIBP, and 0.01% for cadmium, or qualify for an exemption to these limits as defined in the Annexes of Directive 2011/65/EU (RoHS2). Finished electrical and electronic equipment products will be CE marked as required by Directive 2011/65/EU. Components may not be CE marked. Additionally, the part numbers that TE has identified as EU ELV compliant have a maximum concentration of 0.1% by weight in homogenous materials for lead, hexavalent chromium, and mercury, and 0.01% for cadmium, or qualify for an exemption to these limits as defined in the Annexes of Directive 2000/53/EC (ELV). Regarding the REACH Regulation, the information TE provides on SVHC in articles for this part number is based on the latest European Chemicals Agency (ECHA) 'Guidance on requirements for substances in articles' posted at this URL: <https://echa.europa.eu/guidance-documents/guidance-on-reach>

## Compatible Parts



TE Part # CAT-AM71-C83998AA  
CPC SERIES 6 TWO-PIECE



TE Part # CAT-AM71-C83998Y  
CPC SERIES 1 SEALED ONE-PIECE



TE Part # 211400-1  
CPC PLUG ASSEMBLY SIZE 13-7



TE Part # CAT-AM71-C83998K  
CPC SERIES 6

Also in the Series | **AMP CPC**



Circular Connector Adapters(7)



Circular Connector Boots & Strain Relief(6)



Circular Connector Caps & Covers(16)



Circular Connector Hardware(3)



Circular Connector Keying Plugs(2)



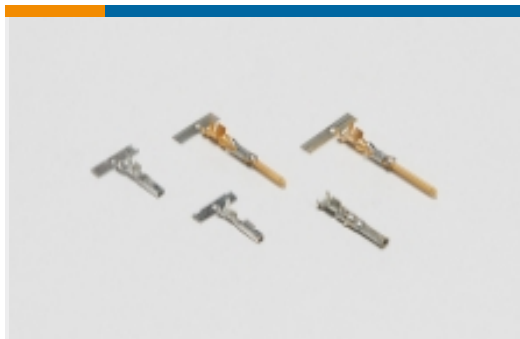
Circular Connector Seals(36)



Circular Power Connectors(516)



Insertion & Extraction Tools(1)



Power Contacts(6)



Sealing Sleeves(2)

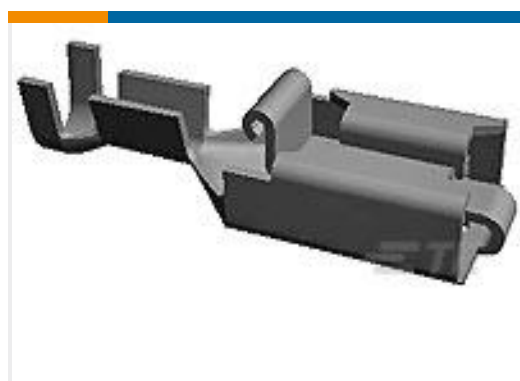


Unscreened Circular Connector Backshells & Clamps(56)

## Customers Also Bought



TE Part #2138852-1  
MOUNTING CLIP, 5MM PANEL,  
AMPSEAL 16 HL



TE Part #154717-4  
PL 250 REC TERMINAL 13-11 AWG  
TPPB



TE Part #2-963736-1  
TAB 5.8x0.8 CONTACT CF SRC Sn



TE Part #345485-1  
BODY CLIP HOUSING DUAL



TE Part #1-1414121-0  
V23136B1001X051-EV-CBOX



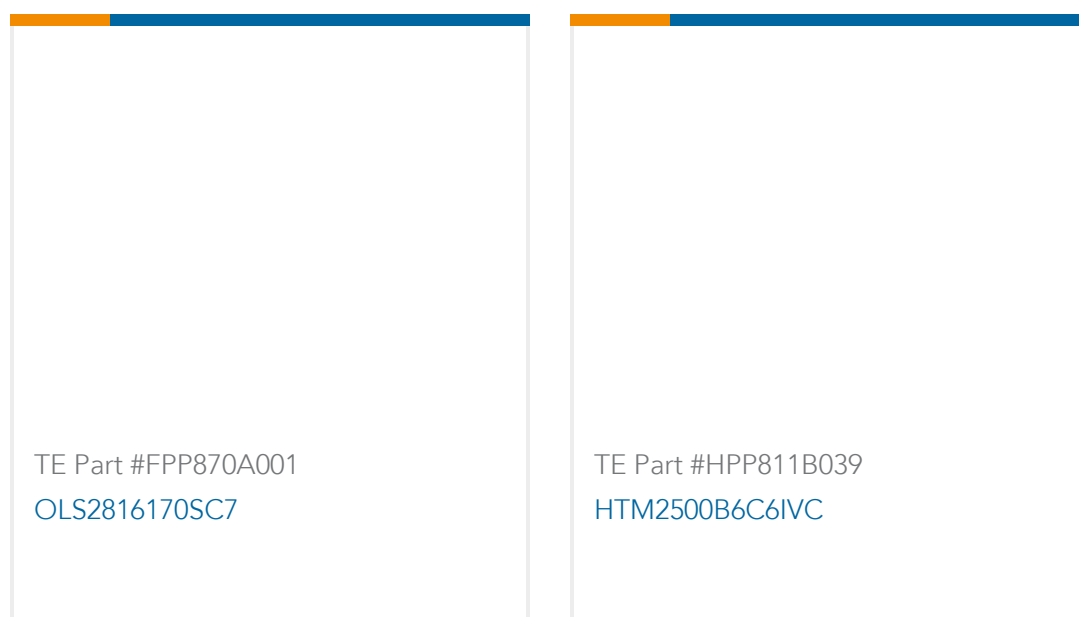
TE Part #1718968-1  
ROUND NUT M28x1.5



TE Part #1718969-1  
LOCKING PLATE



TE Part #2267473-4  
SIZE 13 PERIPHERAL SEAL, CPC



## Documents

### Product Drawings

[SEALING CAP ASSY,SZ 13,CPC](#)

English

### CAD Files

Customer View Model

[ENG\\_CVM\\_CVM\\_211870-2\\_E.2d\\_dxf.zip](#)

English

[3D PDF](#)

3D

Customer View Model

[ENG\\_CVM\\_CVM\\_211870-2\\_E.3d\\_igs.zip](#)

English

Customer View Model

[ENG\\_CVM\\_CVM\\_211870-2\\_E.3d\\_stp.zip](#)

English

By downloading the CAD file I accept and agree to the [Terms and Conditions](#) of use.

### Instruction Sheets

[Instruction Sheet \(U.S.\)](#)

English