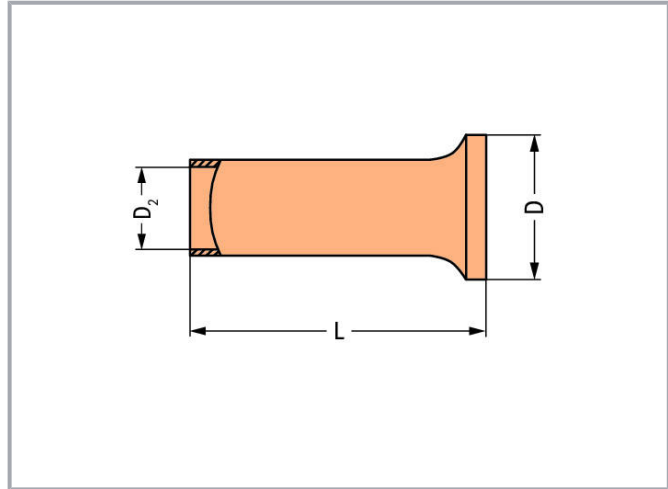
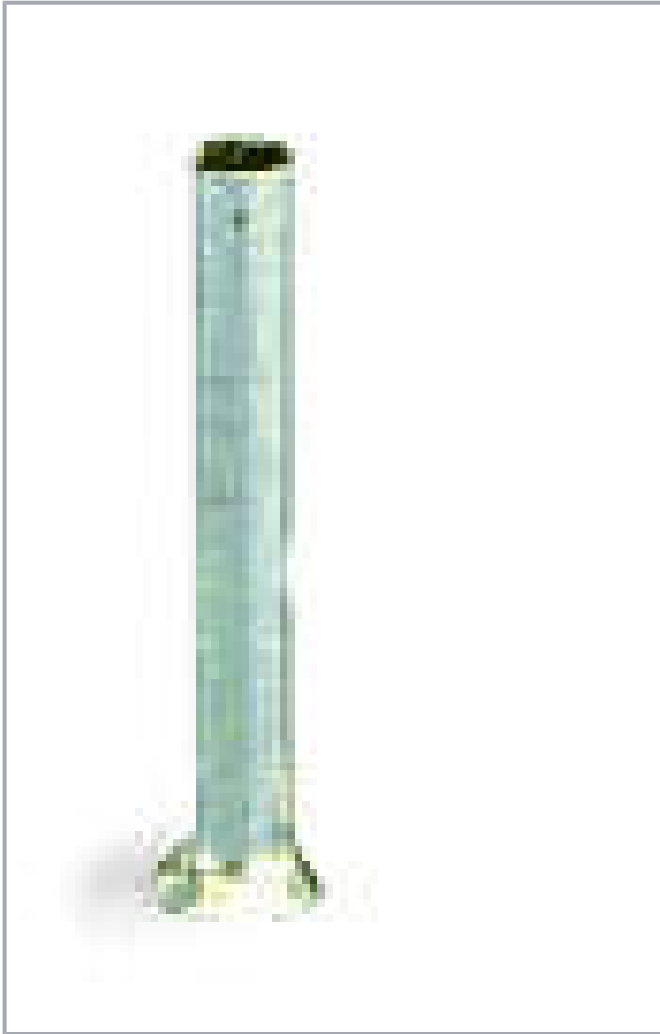


Data sheet | Item number: 216-132

Ferrule; Sleeve for 0.34 mm² / AWG 24; uninsulated; electro-tin plated

www.wago.com/216-132



Data

Technical data

Main product function	Ferrule
Sleeve cross-section (AWG)	22 AWG
Sleeve for	0.34 mm ²

Subject to changes. Please also observe the further product documentation!

WAGO Kontakttechnik GmbH & Co. KG
Hansastr. 27
32423 Minden
Phone: +49571 887-0 | Fax: +49571 887-169
Email: info.de@wago.com | Web: www.wago.com

Do you have any questions about our products?
We are always happy to take your call at +49 (571) 887-44222.



Connection data

Strip length	7 mm / 0.28 inch
--------------	------------------

Physical data

Length	7 mm
Diameter	1.8 mm
Diameter 2	0.85 mm

Material data

Weight	0 g
--------	-----

Commercial data

Product Group	2 (Terminal Block Accessories)
PU (SPU)	5000 (1000) Stück
Packaging type	box
Country of origin	DE
GTIN	4017332277594
Customs tariff number	85369010000

Downloads

Documentation

Bid Text

216-132 X81 - Datei	2019 Feb 19	xml 2.8 kB	Download
216-132 doc - Datei	2017 Sep 11	doc 24.6 kB	Download

Environmental Product Compliance

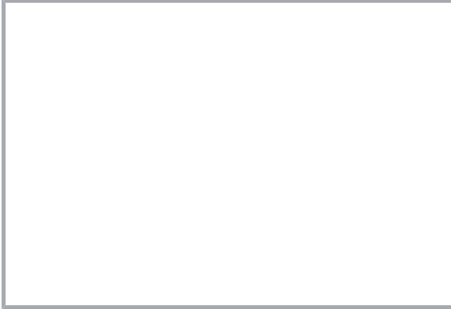
Compliance Search

Environmental Product Compliance 216-132 Ferrule; Sleeve for 0.34 mm ² / AWG 24; uninsulated; electro-tin plated	Download
--	----------

Subject to changes. Please also observe the further product documentation!



Installation Notes



A perfect gas-tight crimp – both electrically and mechanically reliable

Subject to changes. Please also observe the further product documentation!