

2137740-1 ✓ ACTIVE

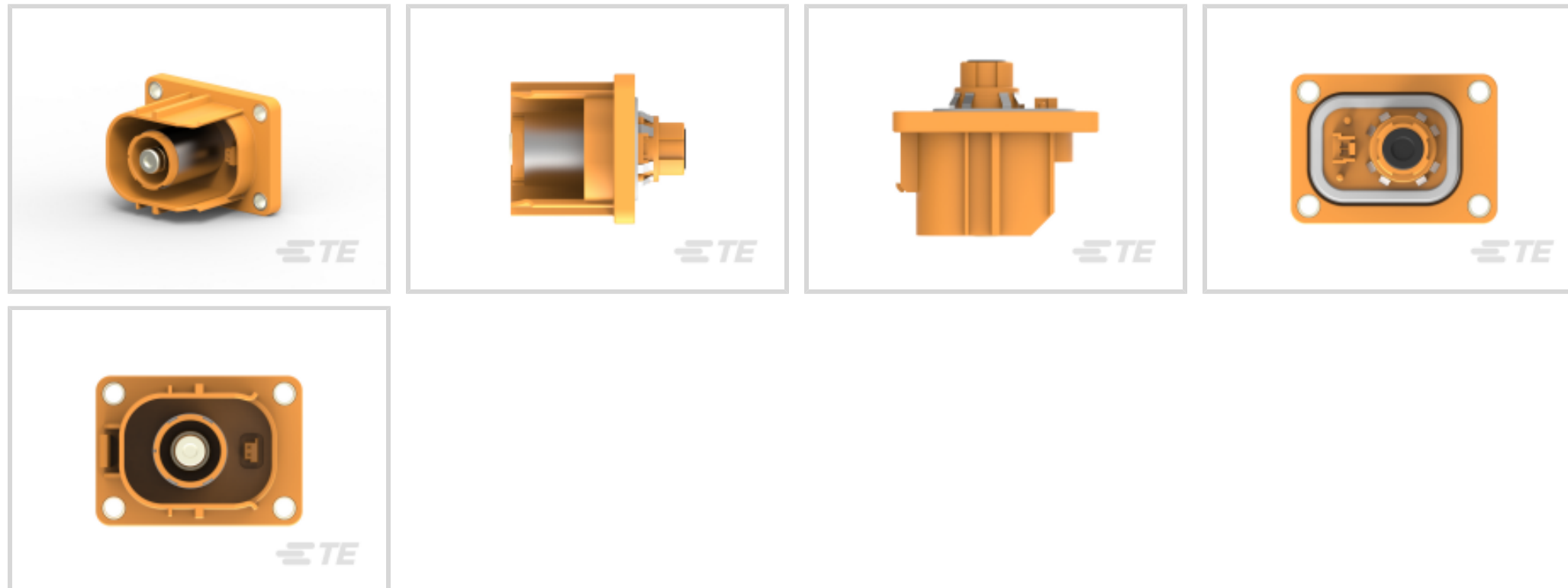
TE Internal #: 2137740-1

PCB Mount Header, Vertical, Wire-to-Device, Fully Shrouded, Silver (Ag), Sealable, Orange

[View on TE.com >](#)



Connectors > PCB Connectors > PCB Headers & Receptacles > HIGH VOLTAGE HEADER



Connector System: **Wire-to-Device**

Sealable: **Yes**

PCB Mount Orientation: **Vertical**

Primary Product Color: **Orange**

Mating Pin Diameter: **11 mm [.433 in]**

[All HIGH VOLTAGE HEADER \(33\)](#)

Features

Product Type Features

Hybrid Header	No
Connector & Housing Shape	Rectangular
PCB Connector Assembly Type	PCB Mount Header
Header Type	Fully Shrouded
Connector System	Wire-to-Device
Sealable	Yes
Connector & Contact Terminates To	Printed Circuit Board

Configuration Features

PCB Mount Orientation	Vertical
-----------------------	----------

Electrical Characteristics

Voltage Rating (Max)	750 VDC
Nominal Voltage Architecture	750 V
Operating Voltage	750 VDC



Body Features

Primary Product Color	Orange
Connector Code	A

Contact Features

Contact Type	Pin
Mating Pin Diameter	11 mm[.433 in]
Contact Mating Area Plating Material	Silver (Ag)

Mechanical Attachment

Mounting Holes	With
Mating Alignment	With
PCB Mount Alignment	Without
Panel Mount Feature	Without
PCB Mount Retention	Without

Dimensions

Connector Length	69 mm[2.71 in]
Connector Width	50.4 mm[1.96 in]

Usage Conditions

Operating Temperature (Max)	65 °C, 70 °C, 75 °C, 80 °C, 85 °C, 90 °C, 100 °C, 105 °C, 110 °C, 120 °C, 125 °C[149 °F][158 °F][167 °F][176 °F][185 °F][194 °F][212 °F][221 °F][230 °F][248 °F][257 °F]
Operating Temperature Range	-40 – 125 °C[-40 – 257 °F]

Operation/Application

Shielded	Yes
----------	-----

Industry Standards

Degree of Protection	IP67
UL Flammability Rating	None

Product Compliance

[For compliance documentation, visit the product page on TE.com>](#)

EU RoHS Directive 2011/65/EU	Compliant with Exemptions
EU ELV Directive 2000/53/EC	Compliant with Exemptions
China RoHS 2 Directive MIIT Order No 32, 2016	Restricted Materials Above Threshold



EU REACH Regulation (EC) No. 1907/2006

Current ECHA Candidate List: JUNE 2022 (224)

Candidate List Declared Against: JUL 2021 (219)

SVHC > Threshold:

Pb (3% in Component Part)

Article Safe Usage Statements:

Do not eat, drink or smoke when using this product. Wash thoroughly after handling. Recycle if possible and dispose of the article by following all applicable governmental regulations relevant to your geographic location.

Halogen Content

Low Halogen - Br, Cl, F, I < 900 ppm per homogenous material. Also BFR/CFR/PVC Free

Solder Process Capability

Not reviewed for solder process capability

Product Compliance Disclaimer

This information is provided based on reasonable inquiry of our suppliers and represents our current actual knowledge based on the information they provided. This information is subject to change. The part numbers that TE has identified as EU RoHS compliant have a maximum concentration of 0.1% by weight in homogenous materials for lead, hexavalent chromium, mercury, PBB, PBDE, DBP, BBP, DEHP, DIBP, and 0.01% for cadmium, or qualify for an exemption to these limits as defined in the Annexes of Directive 2011/65/EU (RoHS2). Finished electrical and electronic equipment products will be CE marked as required by Directive 2011/65/EU. Components may not be CE marked. Additionally, the part numbers that TE has identified as EU ELV compliant have a maximum concentration of 0.1% by weight in homogenous materials for lead, hexavalent chromium, and mercury, and 0.01% for cadmium, or qualify for an exemption to these limits as defined in the Annexes of Directive 2000/53/EC (ELV). Regarding the REACH Regulation, the information TE provides on SVHC in articles for this part number is based on the latest European Chemicals Agency (ECHA) 'Guidance on requirements for substances in articles' posted at this URL: <https://echa.europa.eu/guidance-documents/guidance-on-reach>

Compatible Parts



TE Part # 2137704-1
HVP1100 1POS PLUG HSG ASSY SLD 90 DEG



TE Part # YHVP1100-1P-90-A-0
HVP1100-1phi XE,90,Key A



TE Part # 2137715-3
11MM HV, TERMINAL ASSY 90DEG

Customers Also Bought



TE Part #2177090-1
STEEL, OUTER FERRULE, 8MM HV, 50SQMM



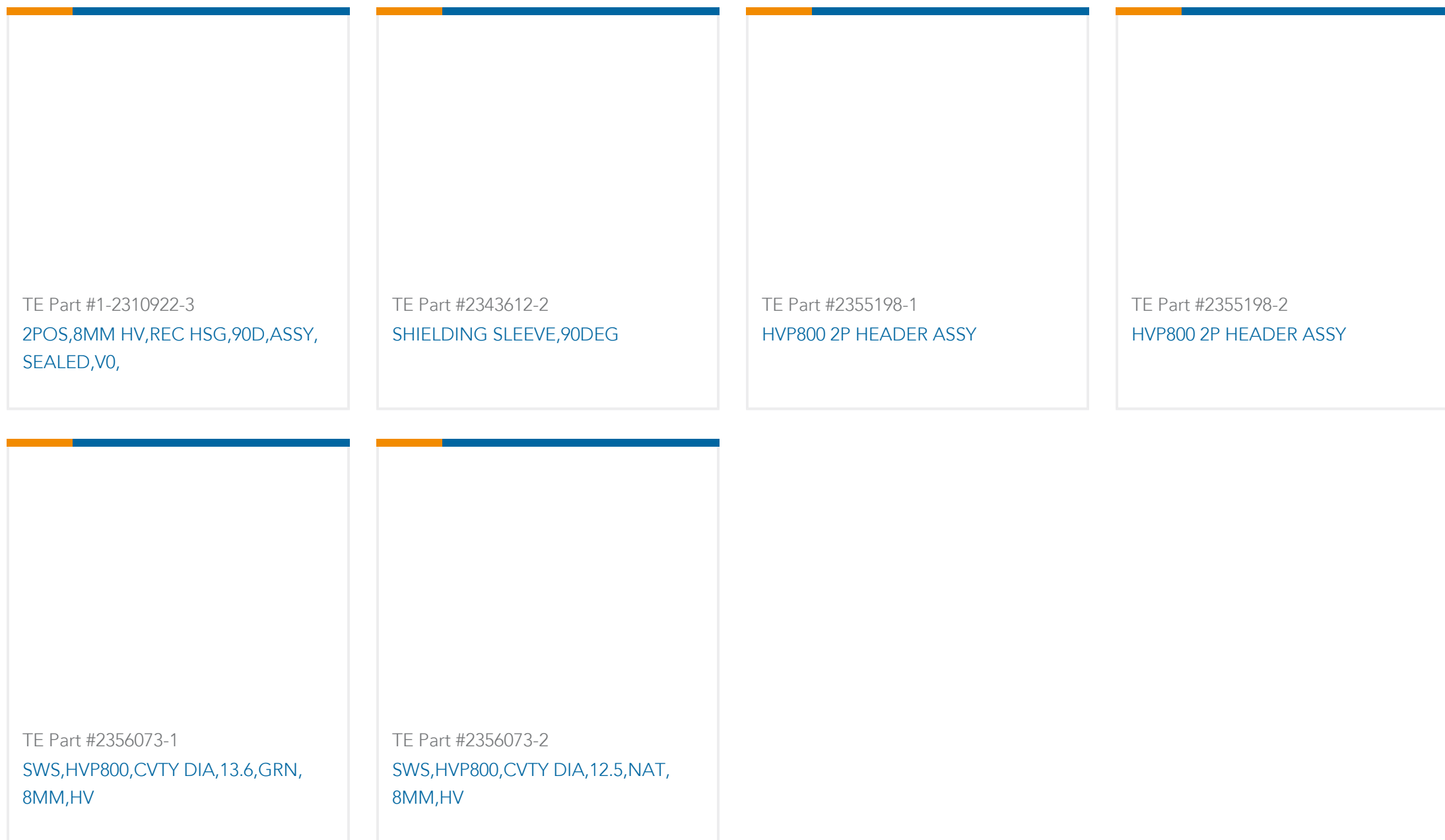
TE Part #2298622-1
24POS, HYBRID, REC HSG ASSY, UNSLD, COD A



TE Part #2307013-1
STEEL, INNER FERRULE



TE Part #2319655-3
SHIELDING SLEEVE, 180DEG



Documents

Product Drawings

[HVP1100 1POS HEADER 90 DEG ASSY SLD](#)

English

CAD Files

[3D PDF](#)

3D

Customer View Model

[ENG_CVM_CVM_2137740-1_C.2d_dxf.zip](#)

English

Customer View Model

[ENG_CVM_CVM_2137740-1_C.3d_igs.zip](#)

English

Customer View Model

[ENG_CVM_CVM_2137740-1_C.3d_stp.zip](#)

English

By downloading the CAD file I accept and agree to the [Terms and Conditions](#) of use.

Datasheets & Catalog Pages

[HEMS Product Overview](#)

English

Product Specifications

[Application Specification](#)

English