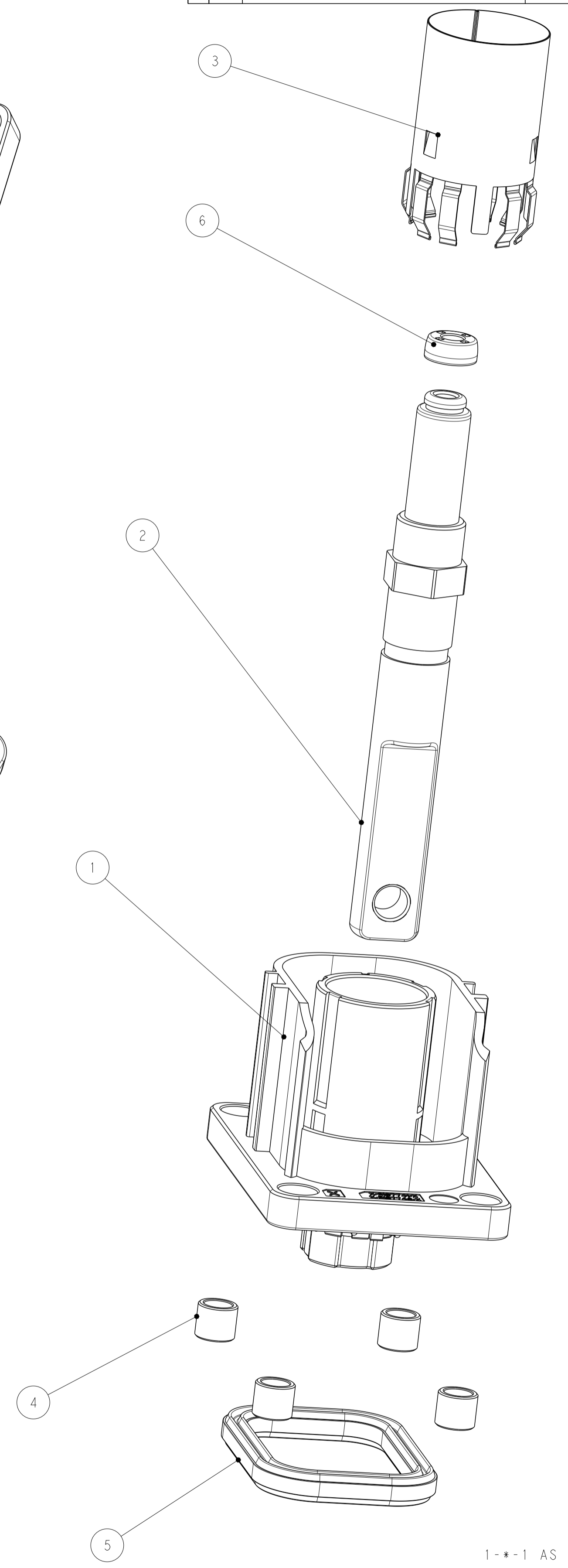
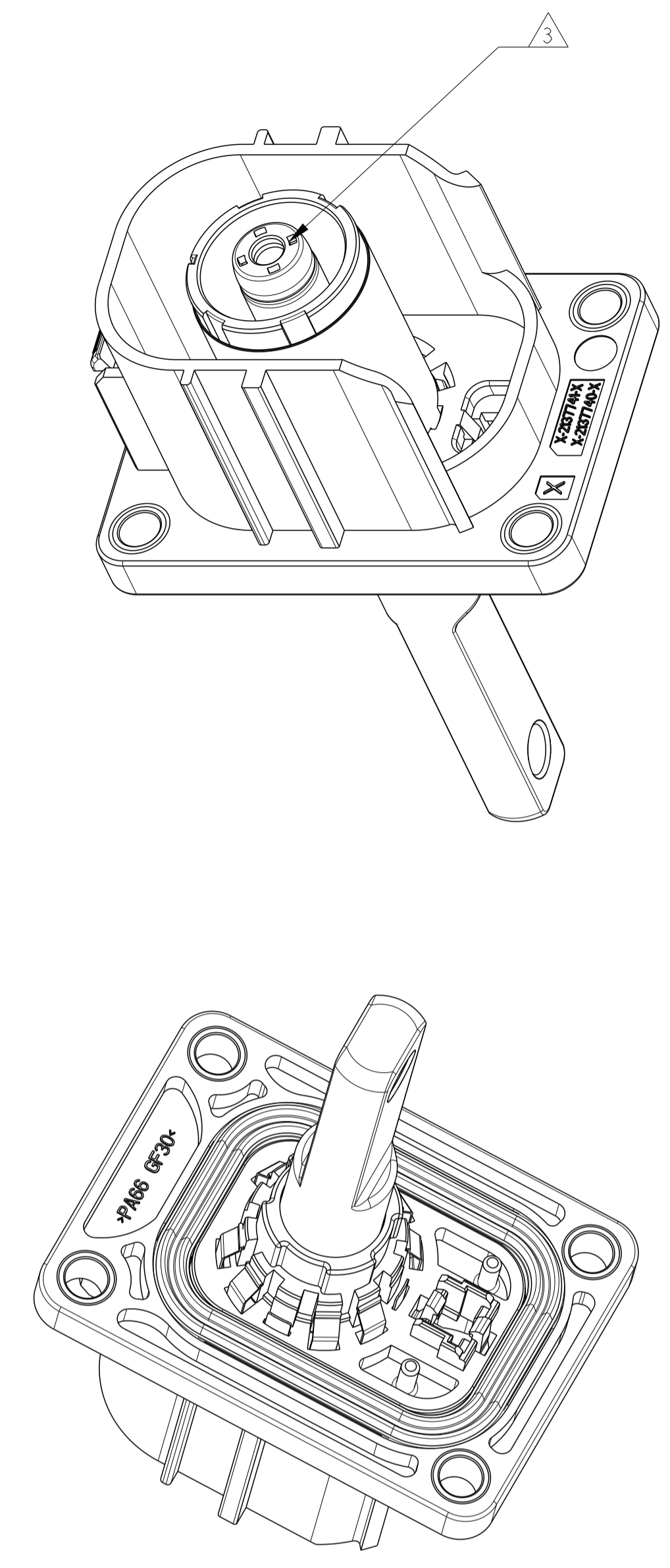
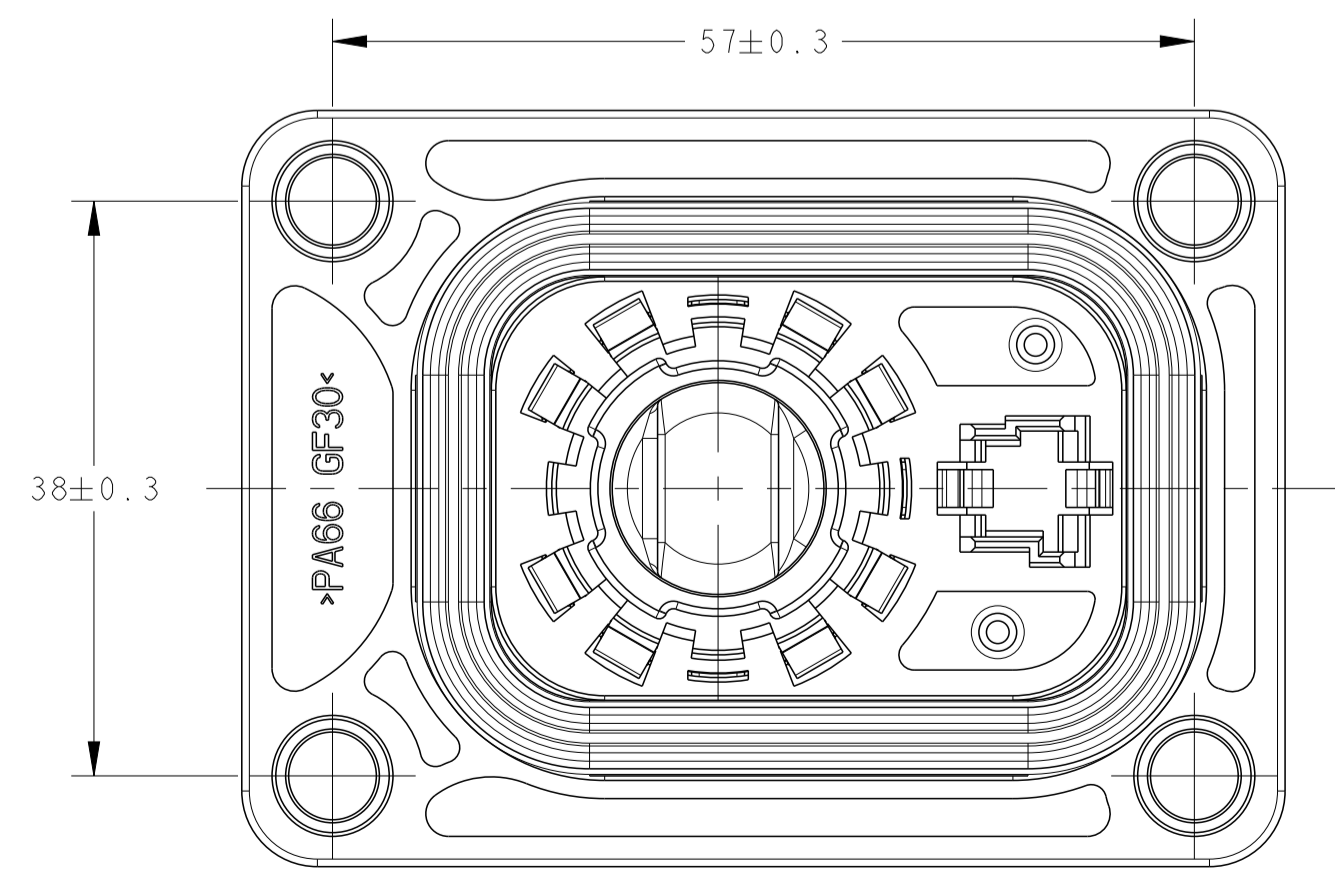
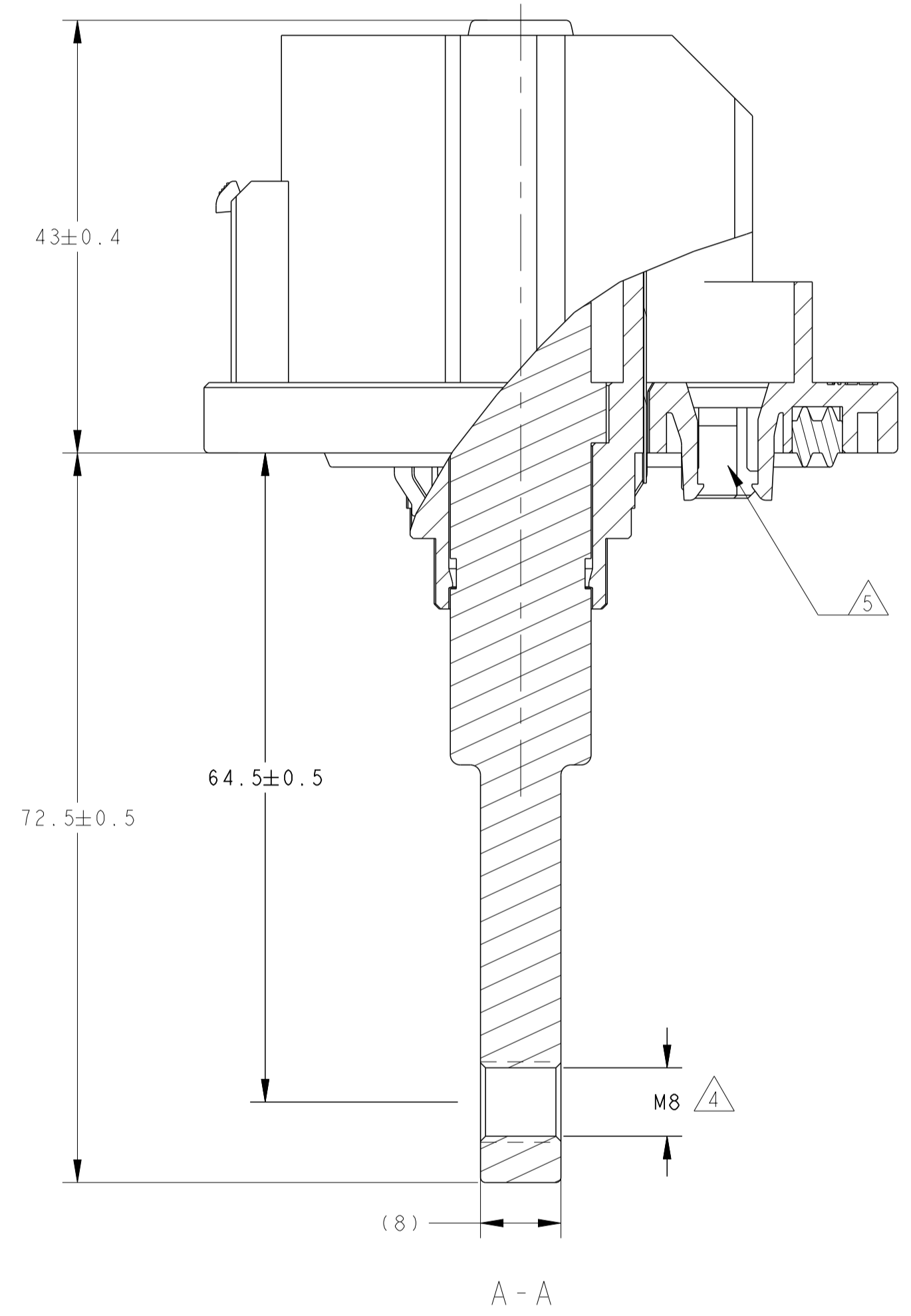
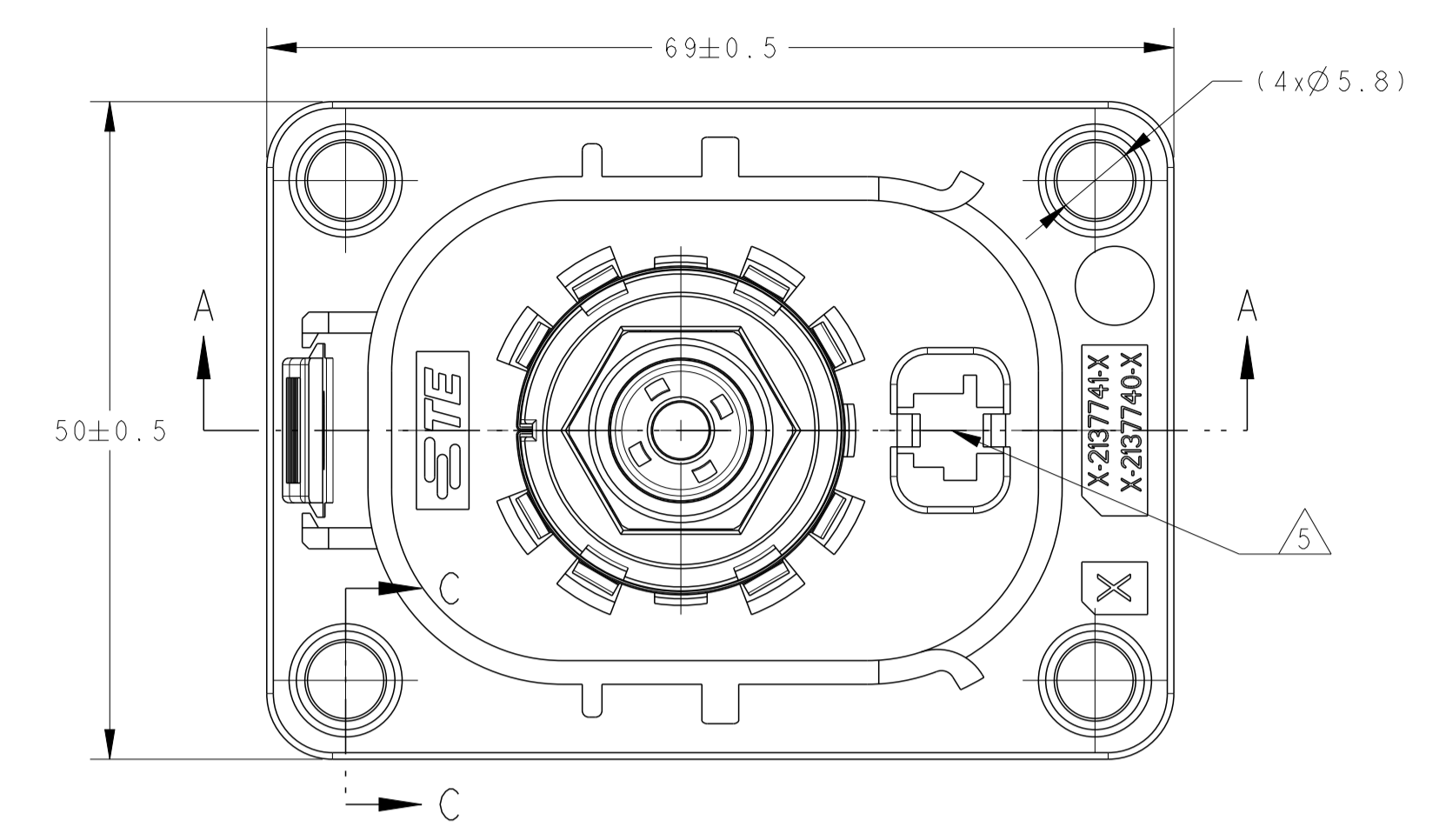
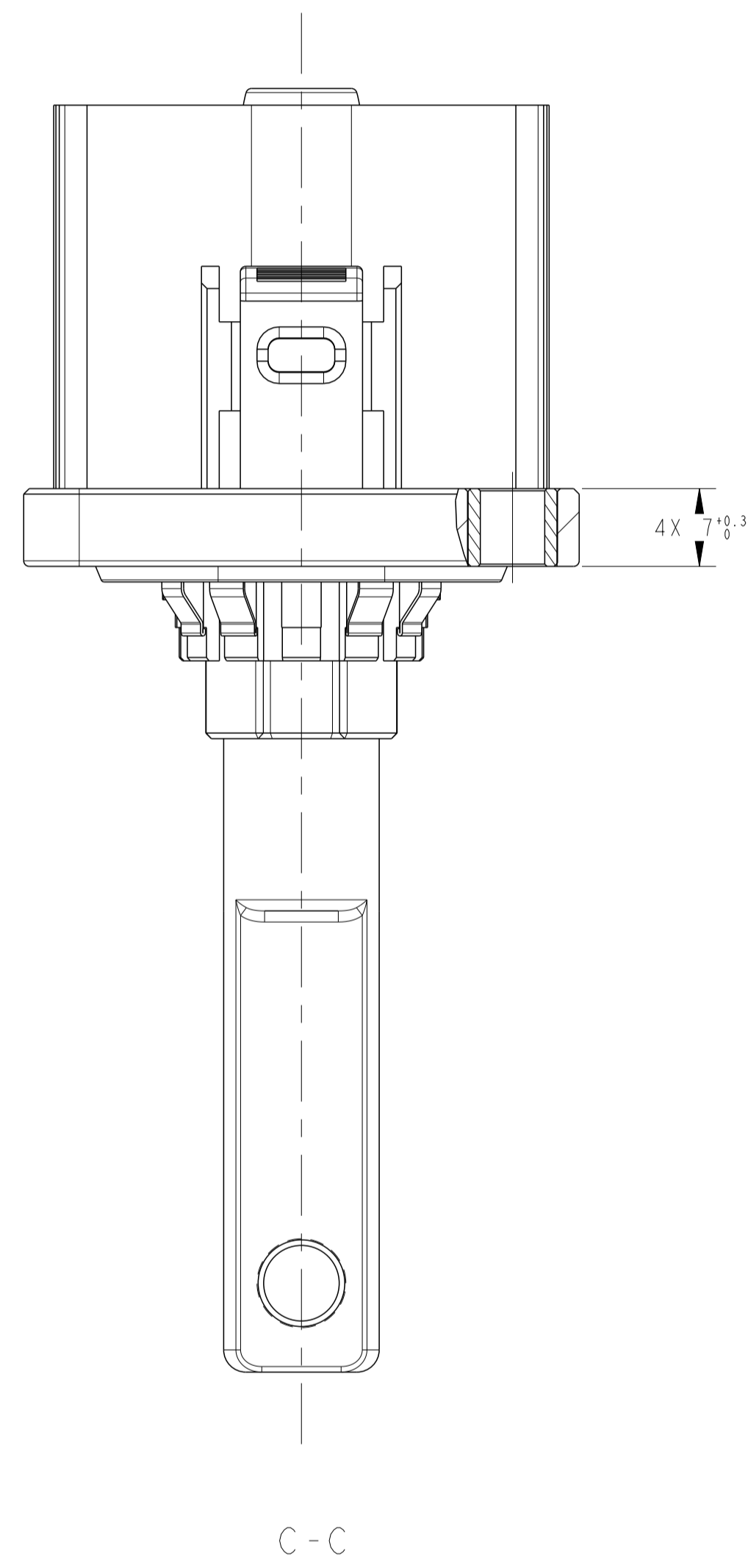


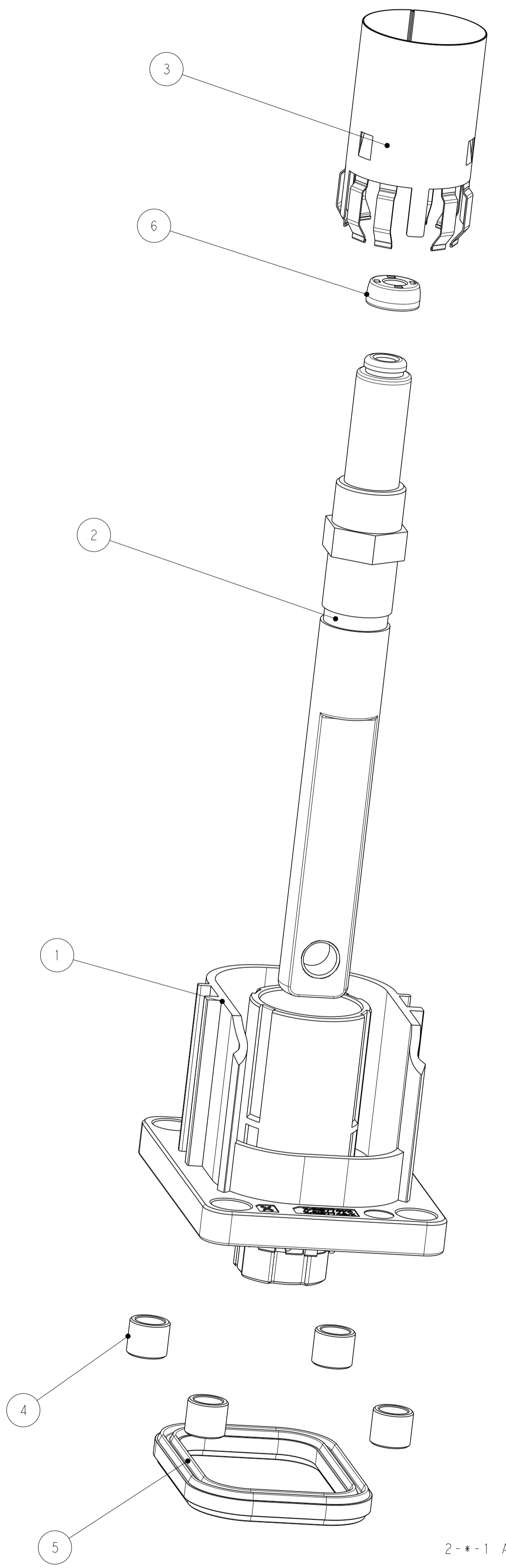
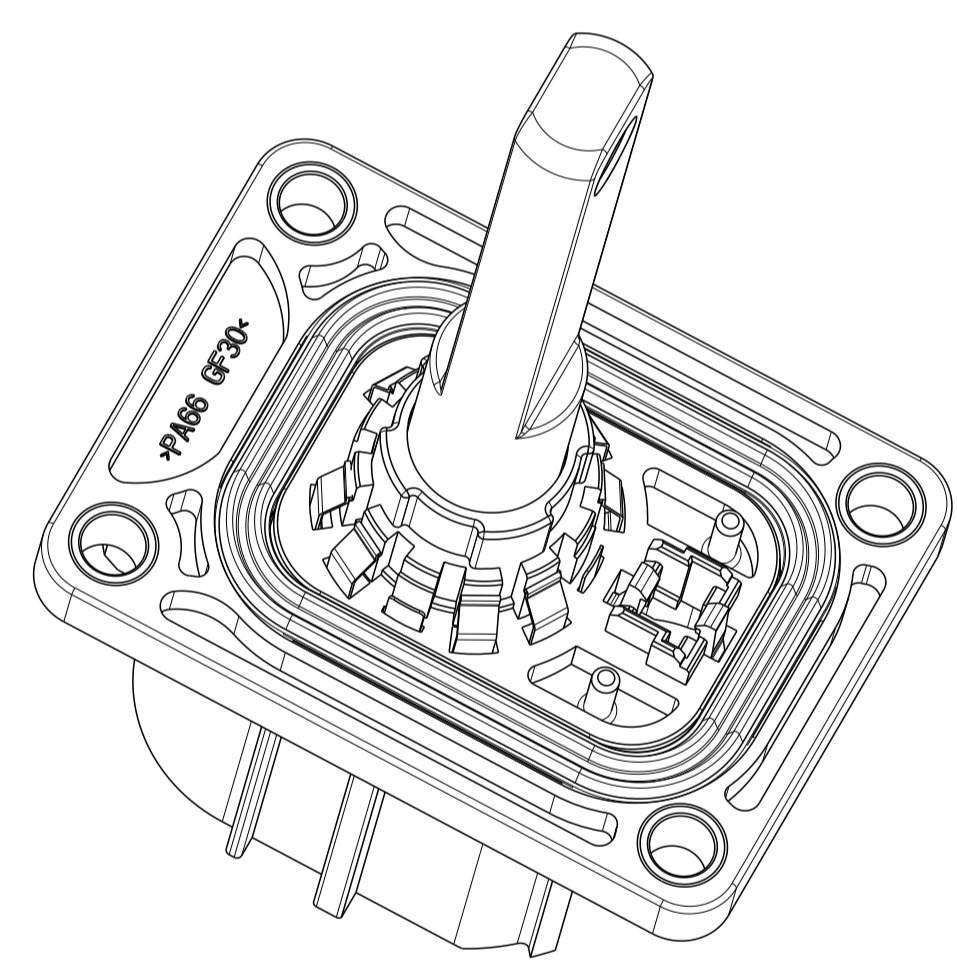
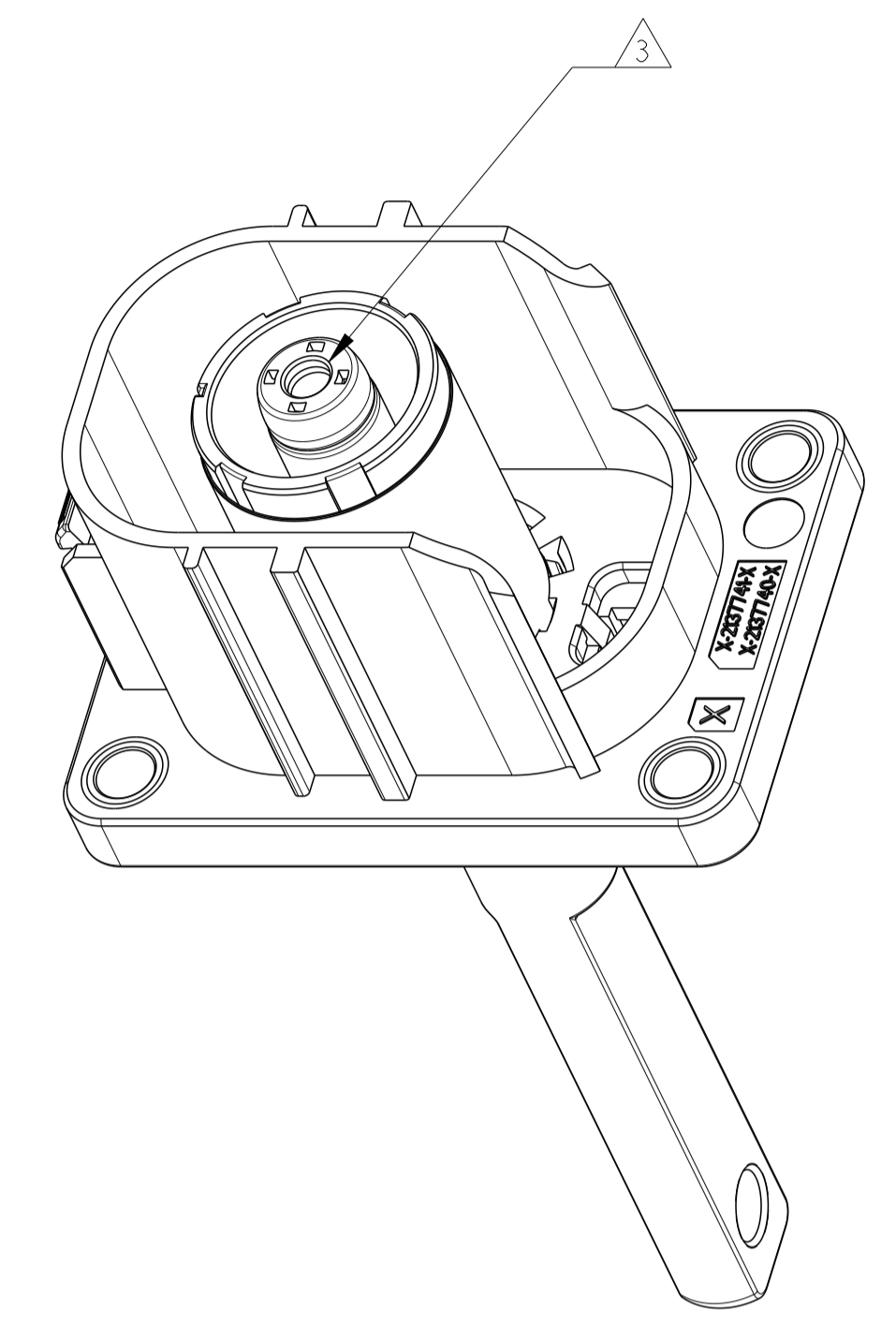
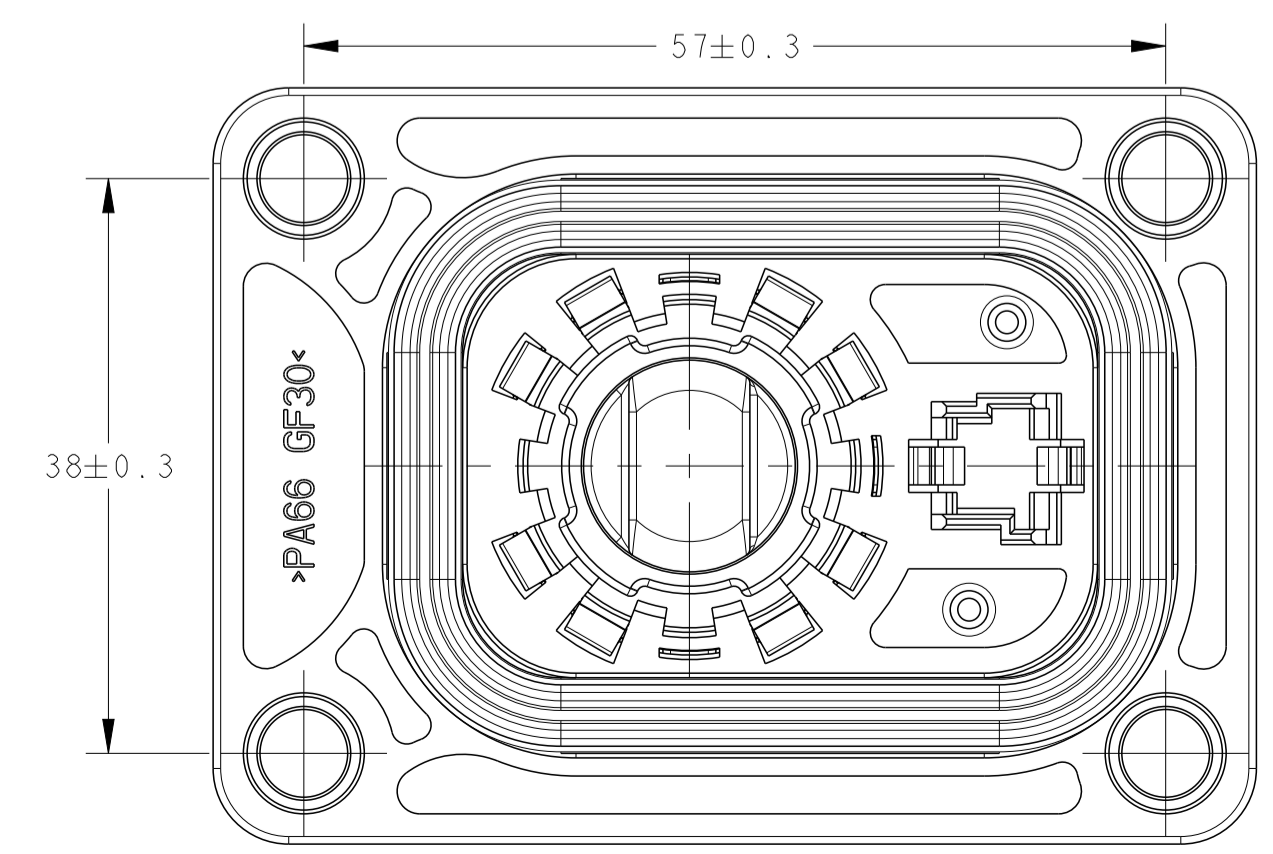
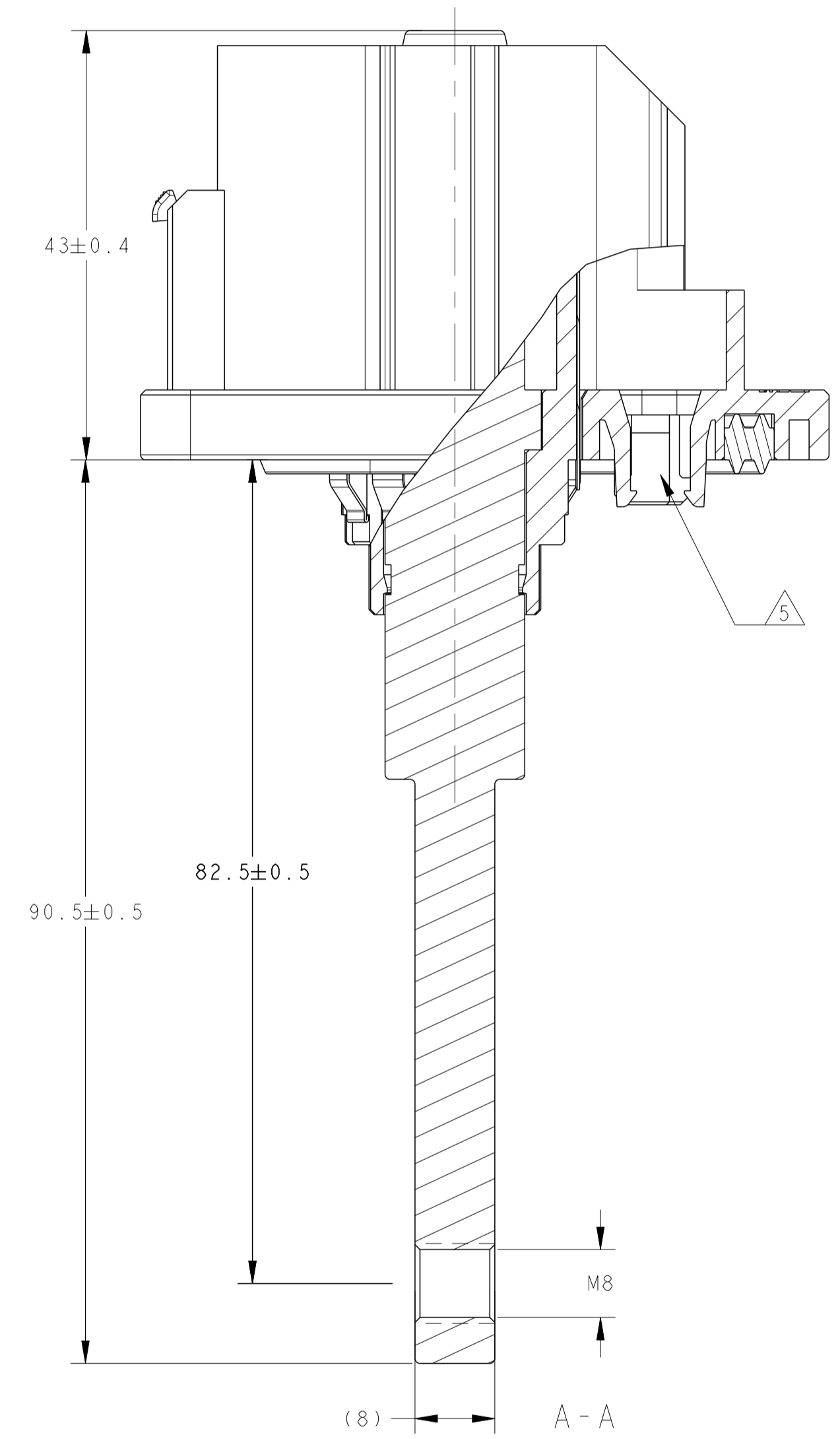
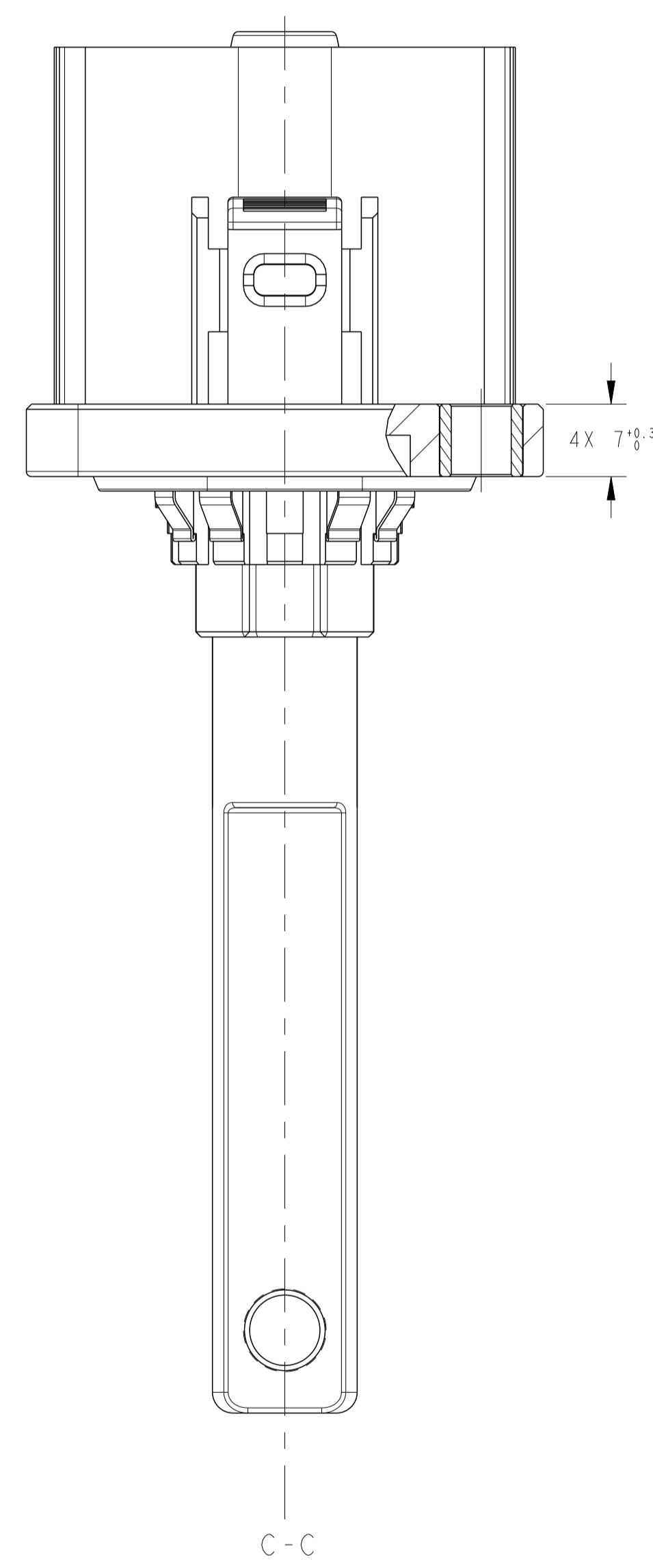
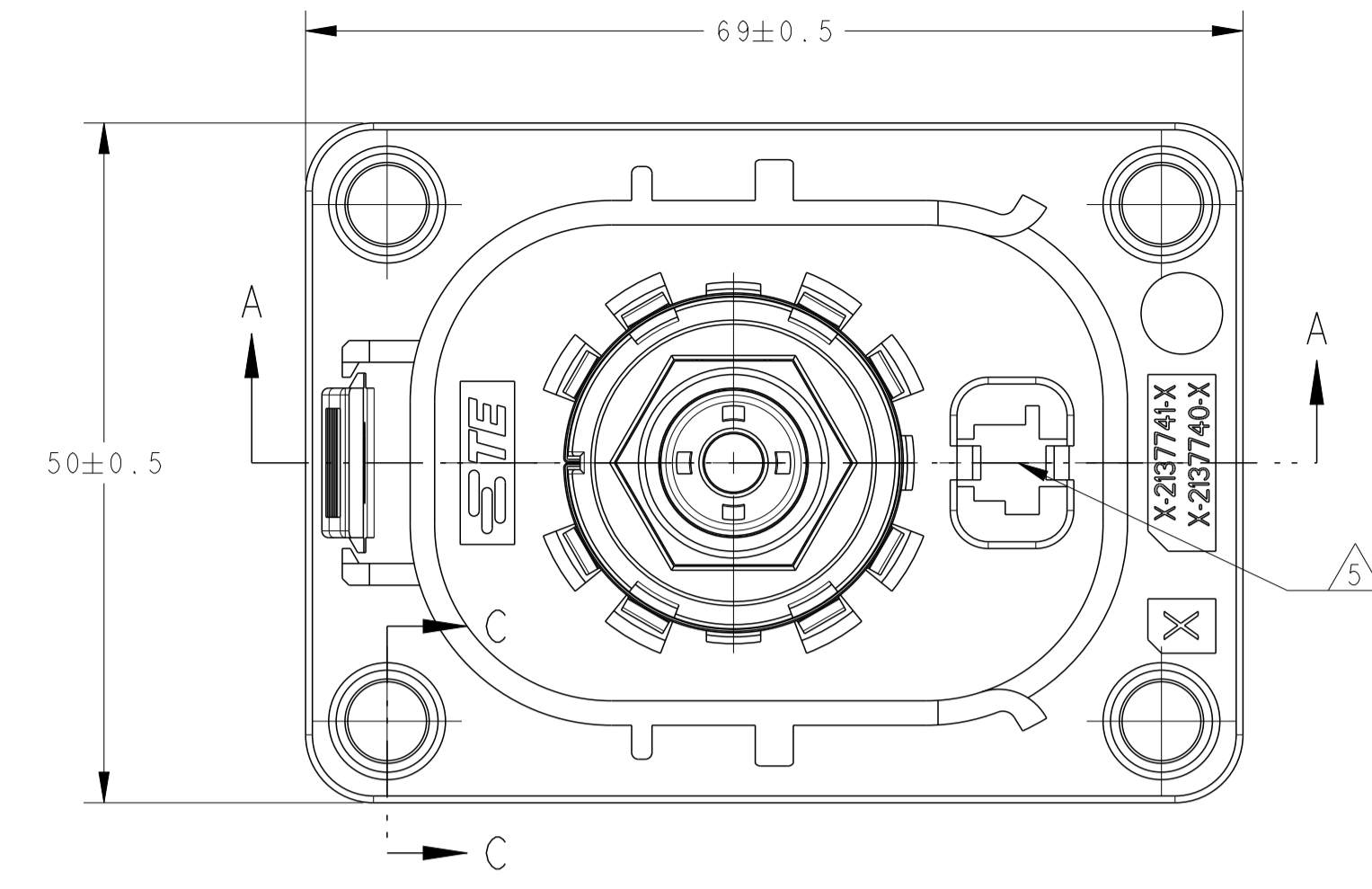
LOC	DIST	REVISIONS			
P	LTR	DESCRIPTION	DATE	DWN	APVD
-	-	SEE SHEET 1	-	-	-
-	-		-	-	-



1--1 AS SHOWN.

THIS DRAWING IS A CONTROLLED DOCUMENT.		DWN E. WANG	08NOV11	STE TE Connectivity
DIMENSIONS:		CHK N. ZHOU	08NOV11	
mm	TOLERANCES UNLESS OTHERWISE SPECIFIED:	APVD K. ODA	08NOV11	NAME HVP1100 IPOS HEADER ASSY
Ø	±0.3	PRODUCT SPEC		SIZE
PLC	±0.5	APPLICATION SPEC		CAGE CODE
PLC	±0.13	114-101010		DRAWING NO
PLC	±0.013	108-101010		RESTRICTED TO
ANGLES	±0.0001°	114-101010		SCALE
MATERIAL	FINISH	CUSTOMER DRAWING		2:1
		A100779C=2137740		SHEET 2 OF 5
				REV C3

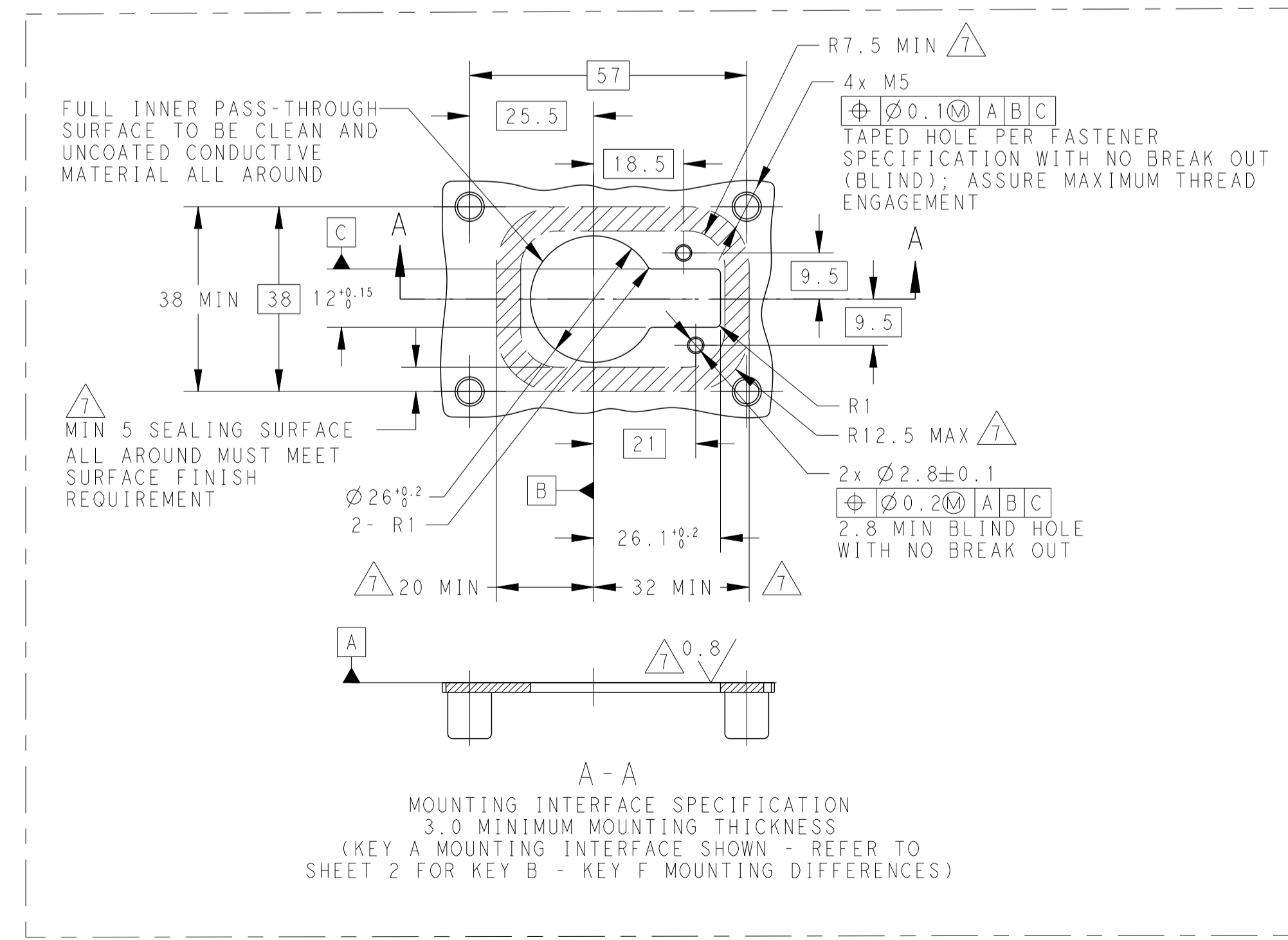
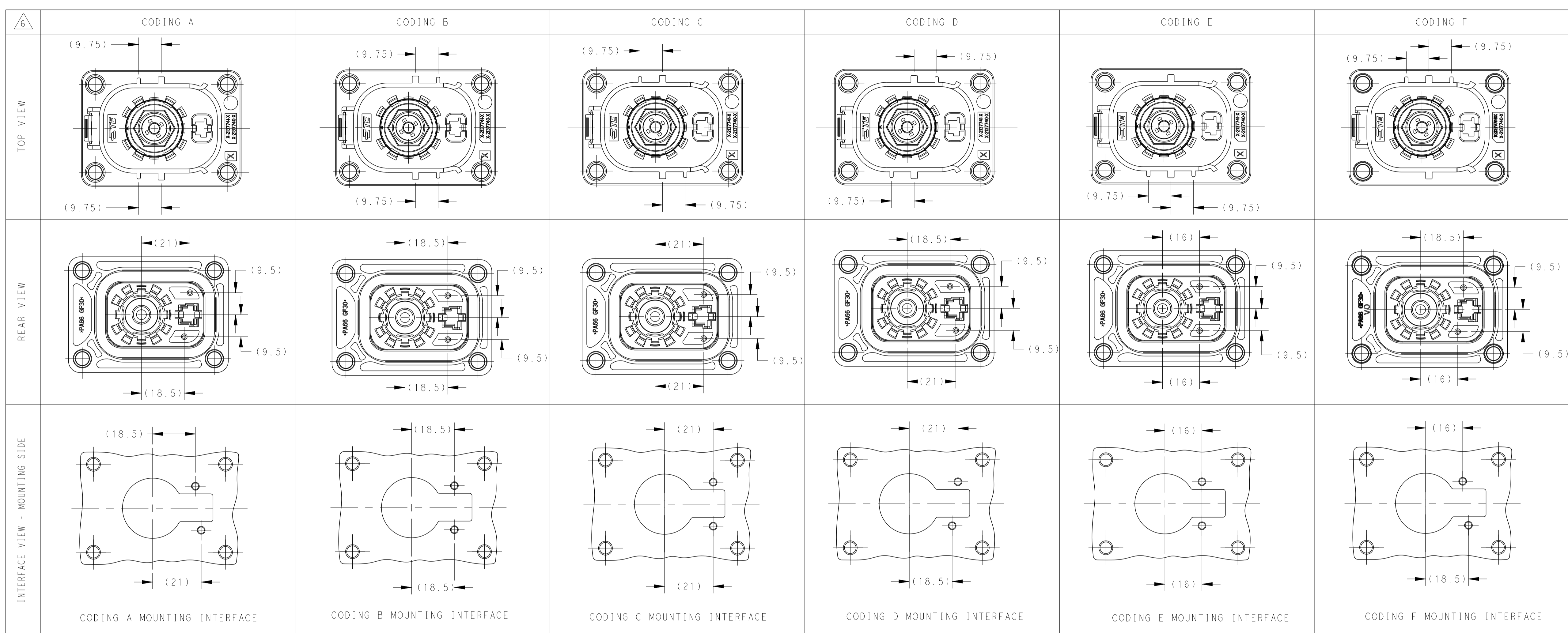
LOC	DIST	REVISIONS			
P	LTH	DESCRIPTION	DATE	DWN	APVD
-	-	SEE SHEET 1	-	-	-



2-* -1 AS SHOWN.

THIS DRAWING IS A CONTROLLED DOCUMENT.		DWN E. WANG	08NOV11	STE TE Connectivity
DIMENSIONS:		CHK N. ZHOU	08NOV11	
mm	TOLERANCES UNLESS OTHERWISE SPECIFIED:	APVD K. ODA	08NOV11	NAME HVP1100 IPOS HEADER ASSY
Ø-PLC	±0.3	PRODUCT SPEC		SIZE
1-PLC	±0.5	108-101010		CAGE CODE
2-PLC	±0.13	APPLICATION SPEC		DRAWING NO
3-PLC	±0.075	114-101010		RESTRICTED TO
4-PLC	±0.0001	CUSTOMER DRAWING		SCALE
ANGLES	±1°	A100779C=2137740		2:1
MATERIAL	FINISH	SHEET 3 OF 5		REV C3

LOC		DIST		REVISIONS			
P	LTN	DESCRIPTION	DATE	DMN	APVD		
-		SEE SHEET 1					



THIS DRAWING IS A CONTROLLED DOCUMENT.		DMN: E. WANG 08NOV11	TE Connectivity
DIMENSIONS: mm		CHK: N. ZHOU 08NOV11	
TOLERANCES UNLESS OTHERWISE SPECIFIED: ± 0.3		APVD: K. ODA 08NOV11	NAME: HVP1100 IPOS HEADER ASSY
0-PLC ± 0.5 1-PLC ± 0.5 2-PLC ± 0.25 3-PLC ± 0.15 4-PLC ± 0.0001 ANGLES ± 0.0001		PRODUCT SPEC: 108-101010	SIZE: -
MATERIAL: -		APPLICATION SPEC: 114-101010	RESTRICTED TO: -
FINISH: -		WEIGHT: -	CUSTOMER DRAWING
		SCALE: 2:1	SHEET 4 OF 5 REV: C3

