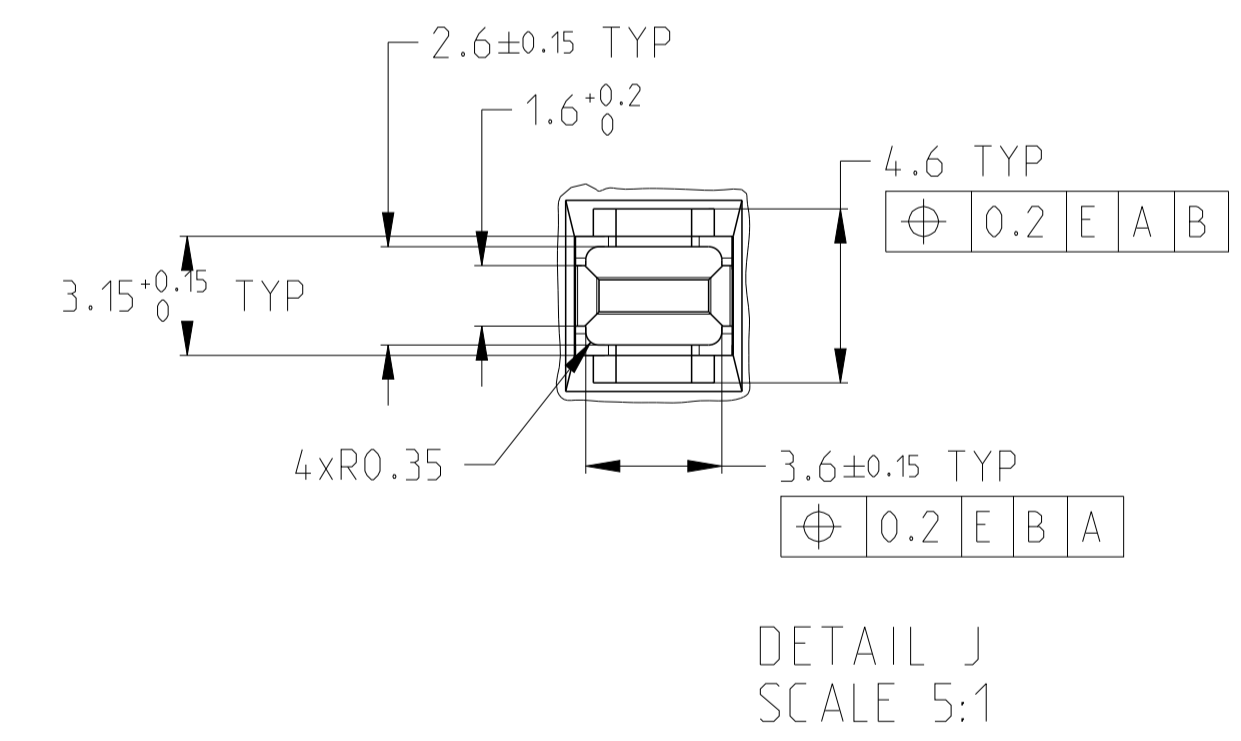
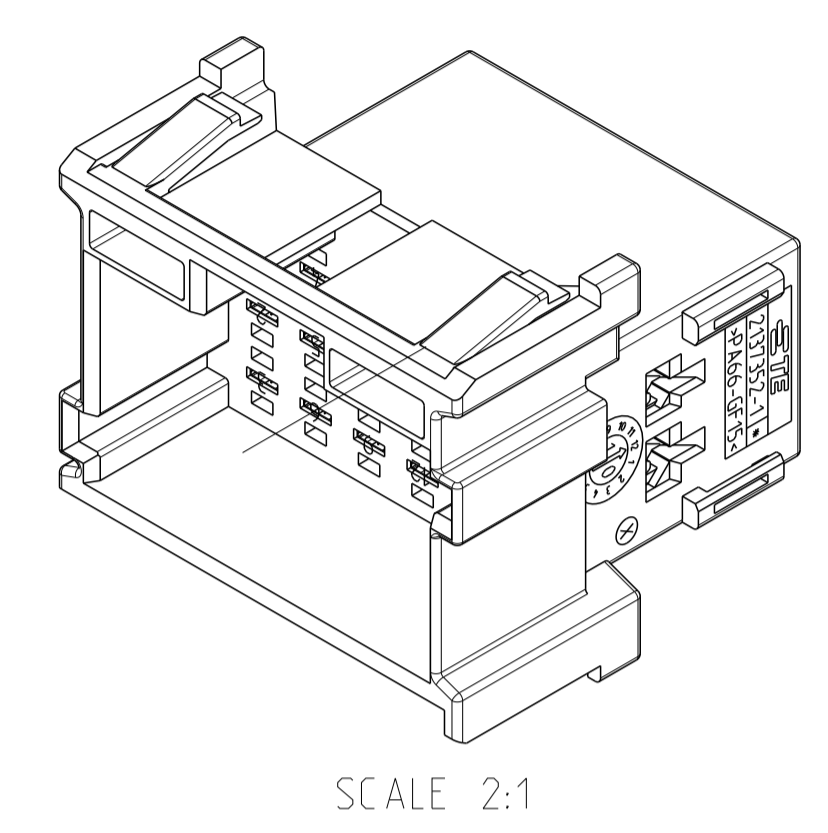
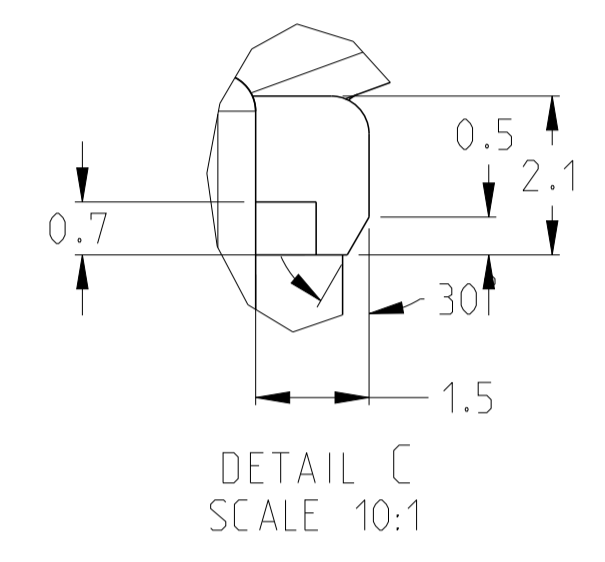
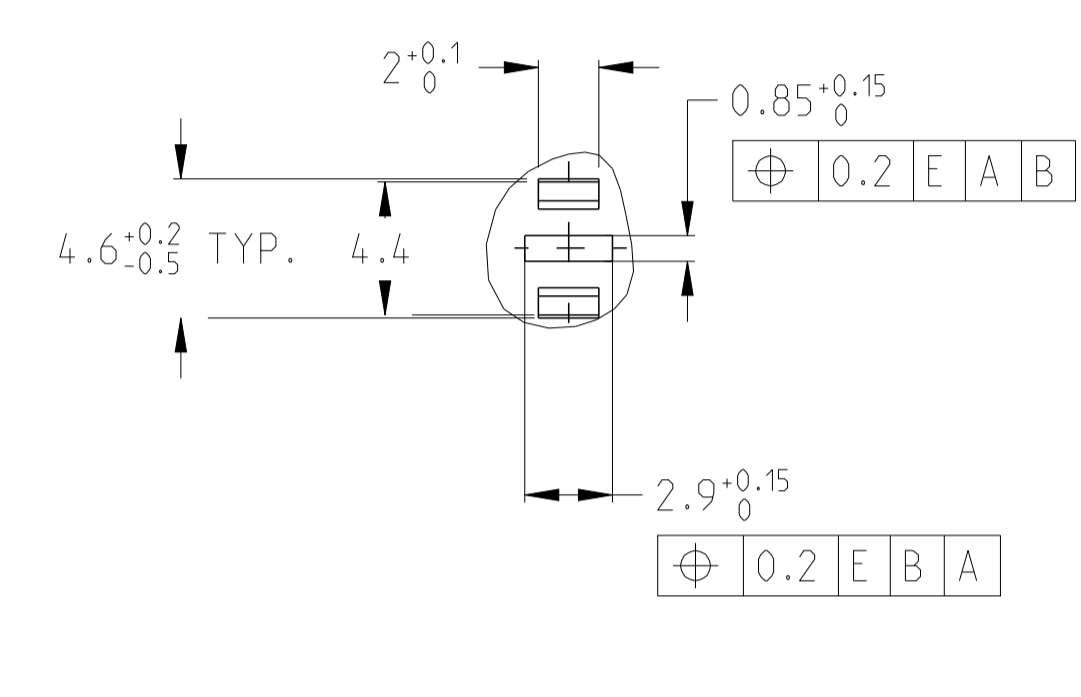
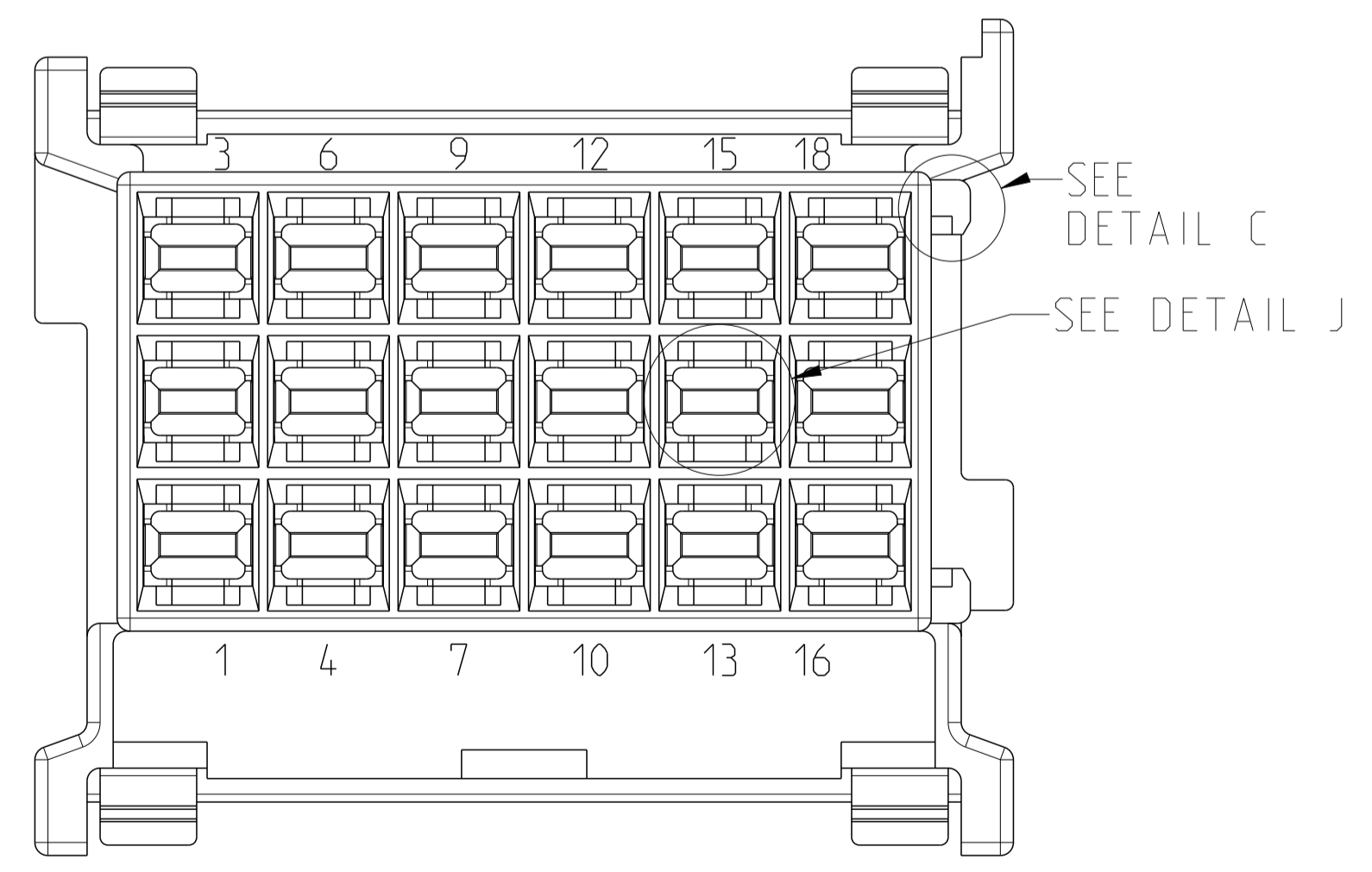
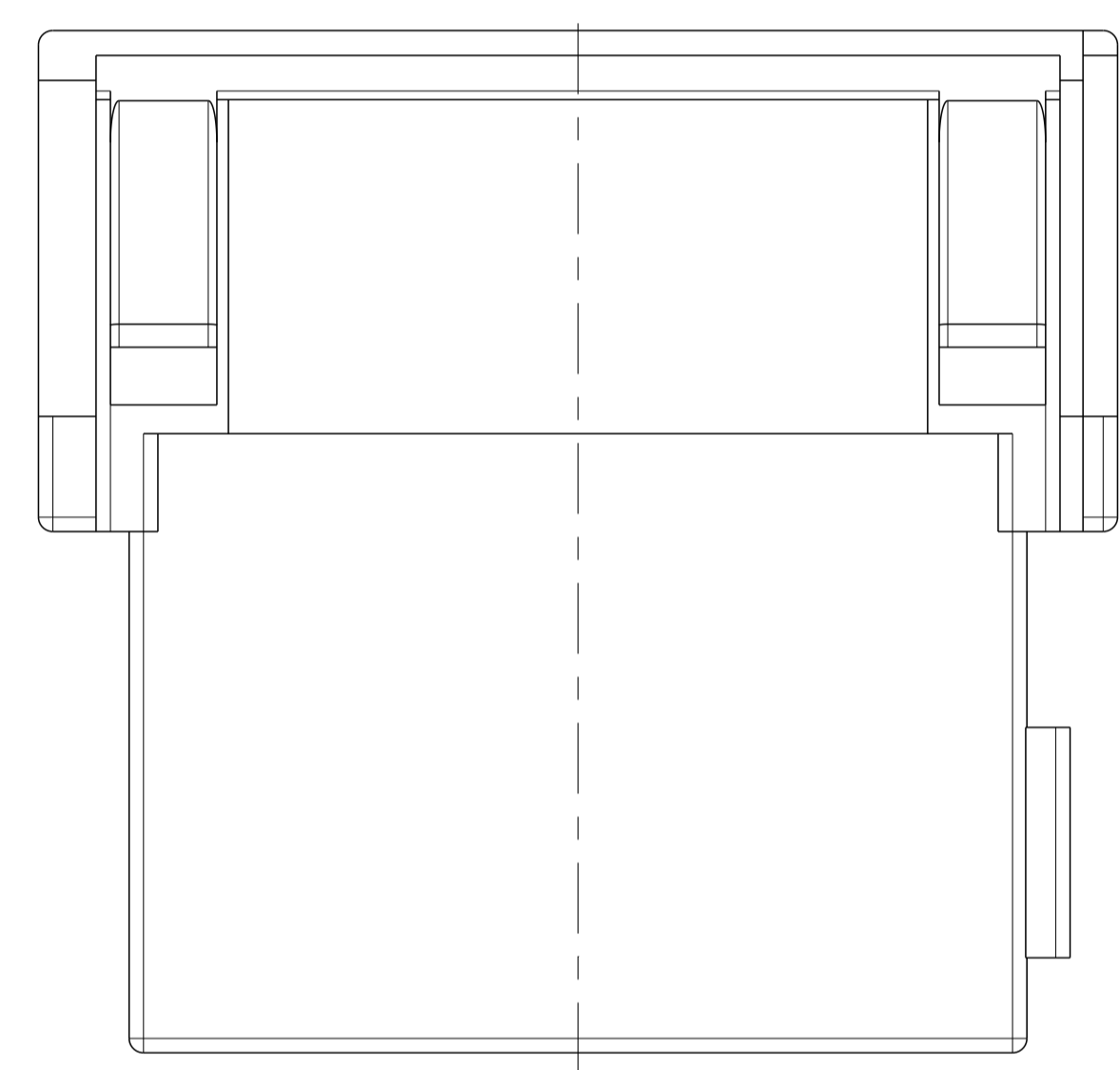
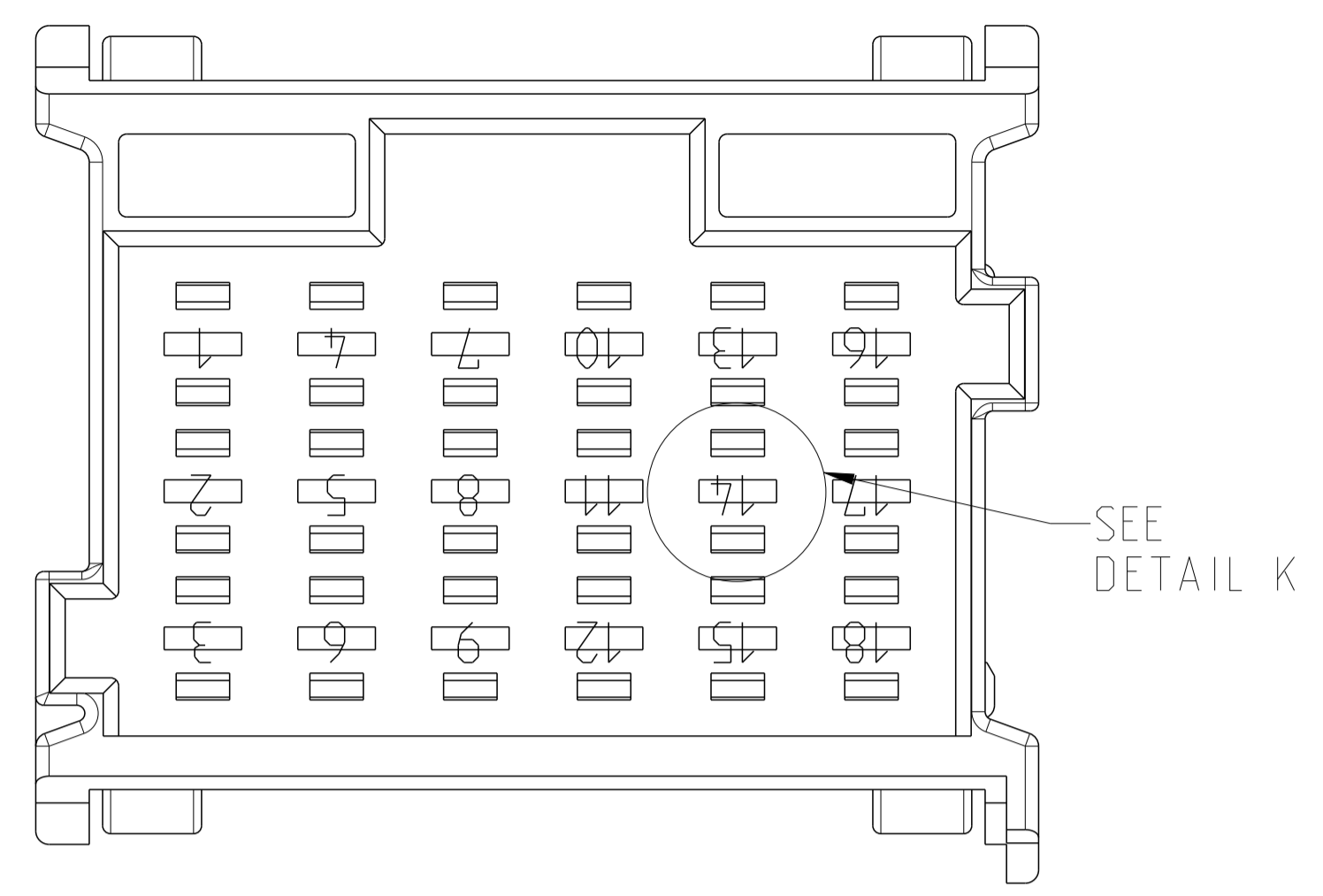




REVISIONS					
P	LTN	DESCRIPTION	DATE	DMN	APVD
-		SEE SHEET 1	-	-	-



NOTE:

- 1 TE LOGO.
- 2 MAKING DATE.
- 3 PART REVISION.ACTURAL STATUS ACC.TO TABLE
- 4 MATERIAL-MAKING ACCORDING TO VDA 260
- 5 CAVITY MARK.
- 6 TE PART NUMBER
- 7 BURRS PERMITTED <=0.2MM
- 8 MAX.WARPAGE PERMITTED AS SHOWN
- 9. BURRS PERMITTED <=0.5MM
- 10. GENERAL TOL:±0.2

DESCRIPTION	COLOUR	WEIGHT	MATERIAL	TE P/N	PART REV	ITEM NO
TAB HOUSING, 18POS., CODING D	VIOLET	9.54g	PA66-GF15	-4	B	4
TAB HOUSING, 18POS., CODING C	BLUE	9.54g	PA66-GF15	-3	B	3
TAB HOUSING, 18POS., CODING B	WHITE (B)	9.54g	PA66-GF15	-2	B	2
TAB HOUSING, 18POS., CODING A	GREY	9.54g	PA66-GF15	-1	B	1

THIS DRAWING IS A CONTROLLED DOCUMENT.		DMN: H.XU 04SEP12		
DIMENSIONS: mm		CHK: Z.ZHOU 15NOV12		
TOLERANCES UNLESS OTHERWISE SPECIFIED:		APVD: W.YUAN 15NOV12	NAME: AMP-MCP 2.8mm TAB HOUSING, 18POS	
0 PLC ±0.1 1 PLC ±0.2 2 PLC ±0.3 3 PLC ±0.4 4 ANGLES ±0.5 5 FINISH ±0.2		PRODUCT SPEC: 108-101234 APPLICATION SPEC: 116-101014 WEIGHT: 9.54g		RESTRICTED TO
MATERIAL: PA66-GF15 705248-1		SIZE: A1 CAGE CODE: 00779 CUSTOMER DRAWING: ©=2137352		SCALE: 4:1 SHEET: 2 OF 2 REV: B