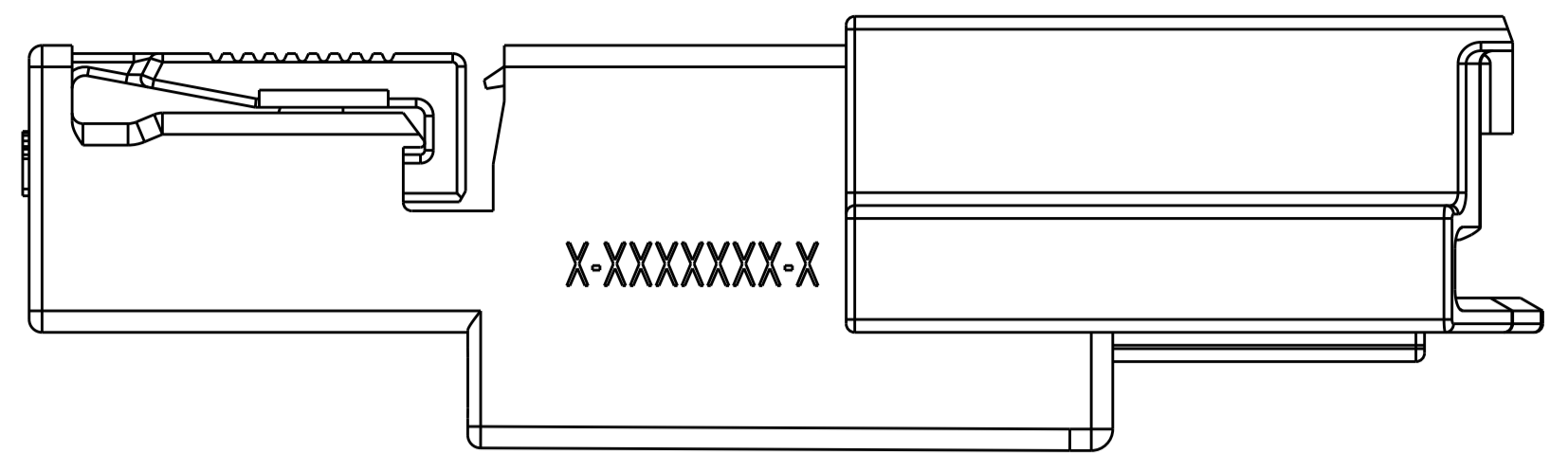
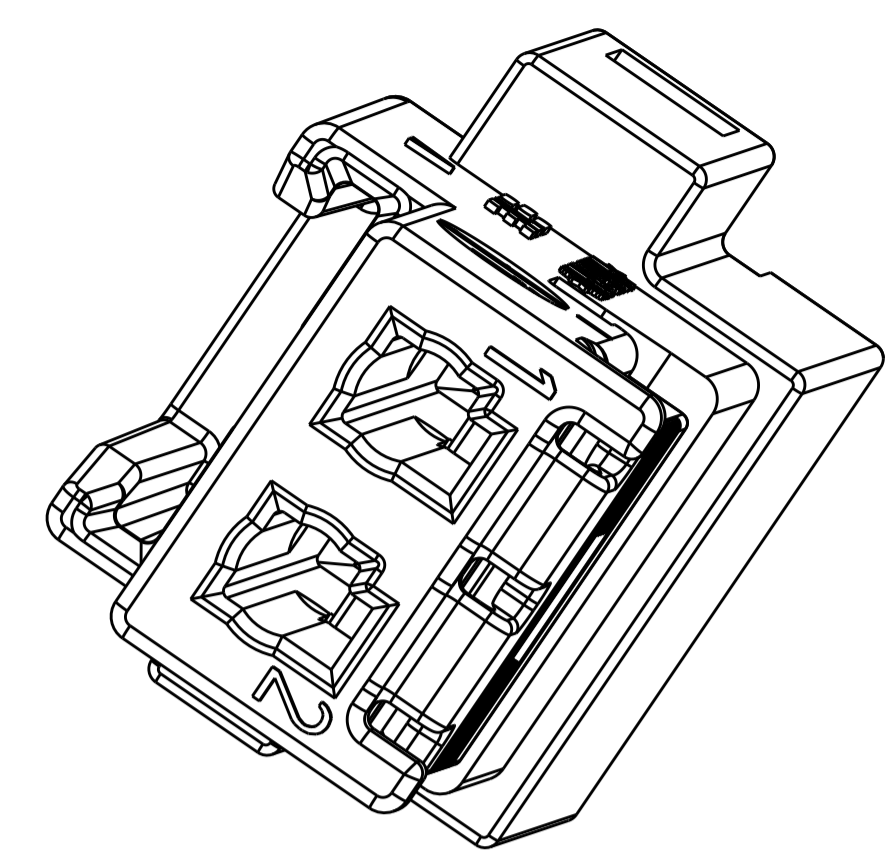


LOC		DIST		REVISIONS			
P	LTN	DESCRIPTION	DATE	DWN	APVD		
3		UPDATED VIEWS	07JAN2015	PR	PR		
A		UPDATED FROM PRELIM TO RELEASED STATUS	05OCT2015	PR	PR		
A1		UPDATED KEY COLORS	15FEB2016	PDR	PDR		
A2		REVISED PER ECO-18-016426	26OCT2018	JMS	GK		



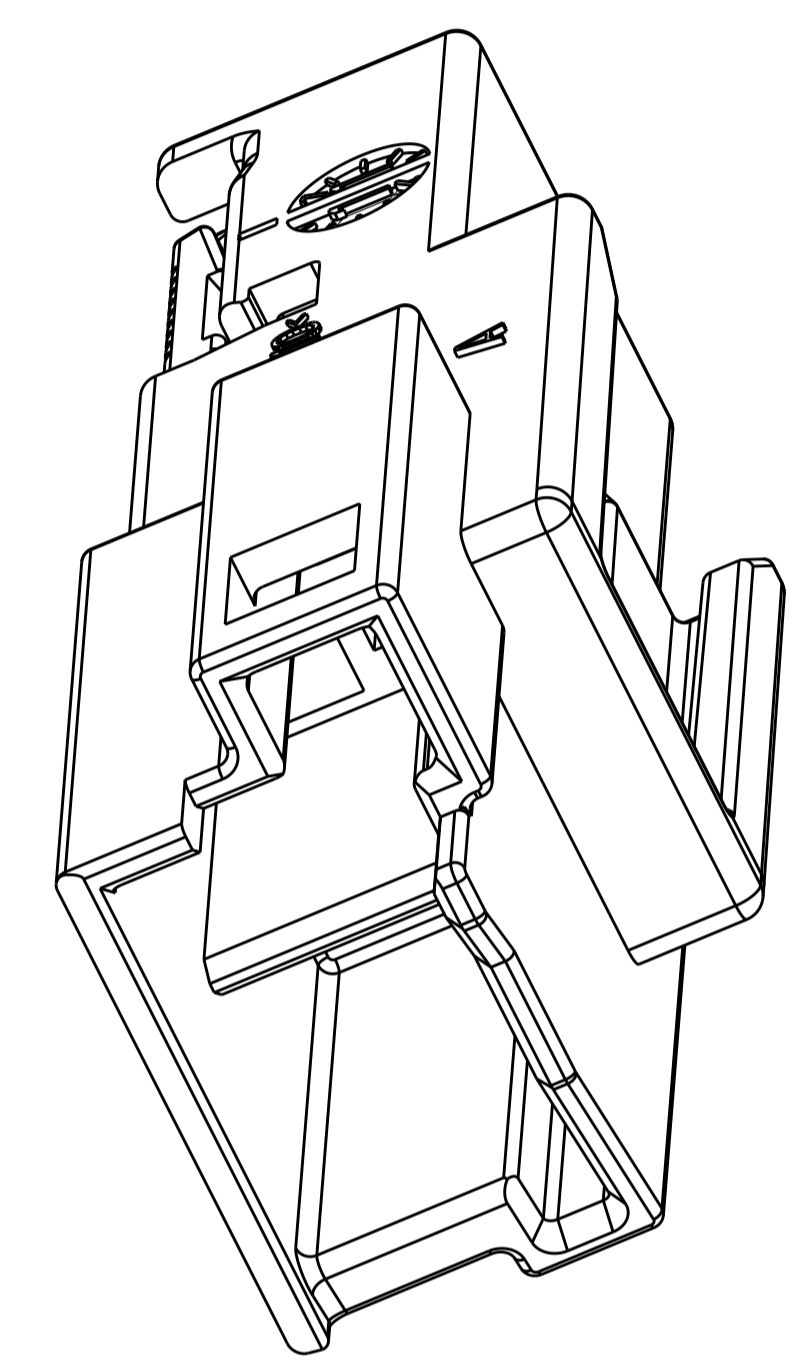
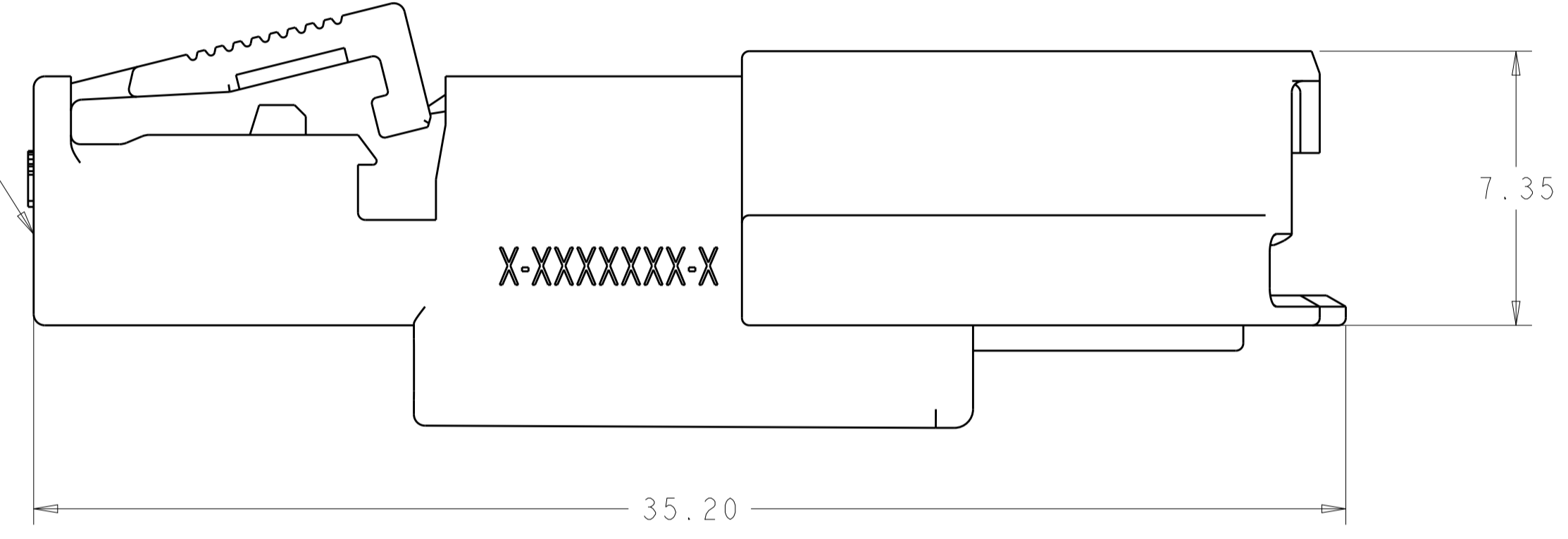
SCALE 6:1 SECONDARY LOCK CLOSED POSITION



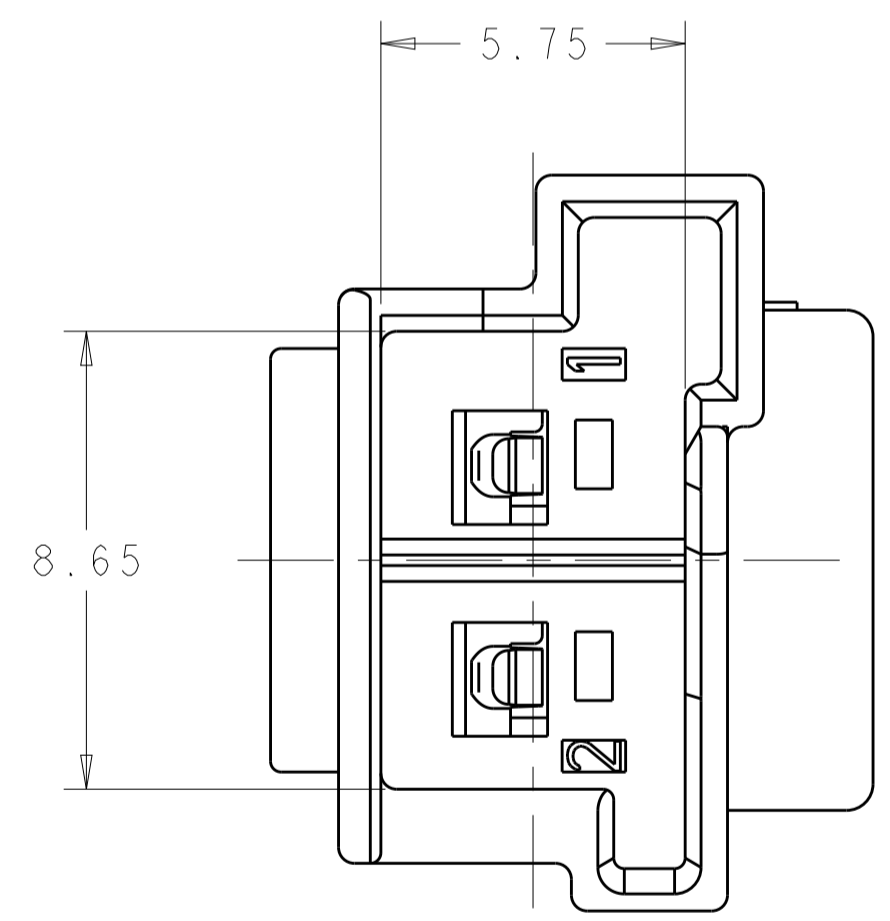
SCALE 7:1

- △ MATERIAL: MALE CONNECTOR HOUSING - PA66, 10% GLASS FILLED
- 2203701-1 SHOWN IN GENERAL VIEWS
 - MALE CONNECTOR HOUSING WILL ACCEPT THE FOLLOWING TERMINAL PART NUMBERS: 1718350 -1 (TIN PLATED) 0.50-0.75mm²
 - ASSEMBLY IS SHIPPED WITH SECONDARY LOCK IN THE PRE-LOCK POSITION AS SHOWN. SECONDARY LOCK MAY CLOSE INADVERTENTLY DURING SHIPPING. IF THIS OCCURS, RELOCATE SECONDARY LOCK TO THE OPEN POSITION PRIOR TO INSERTION OF TERMINALS.

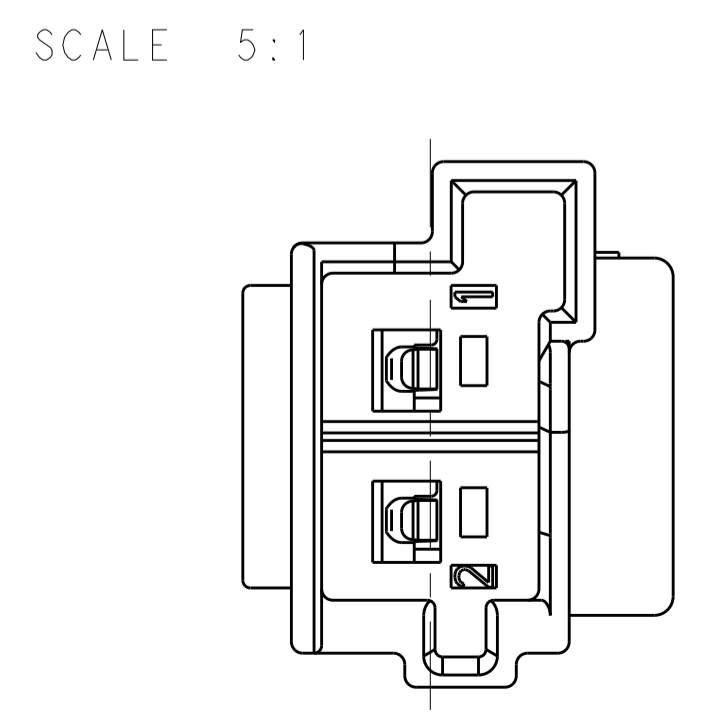
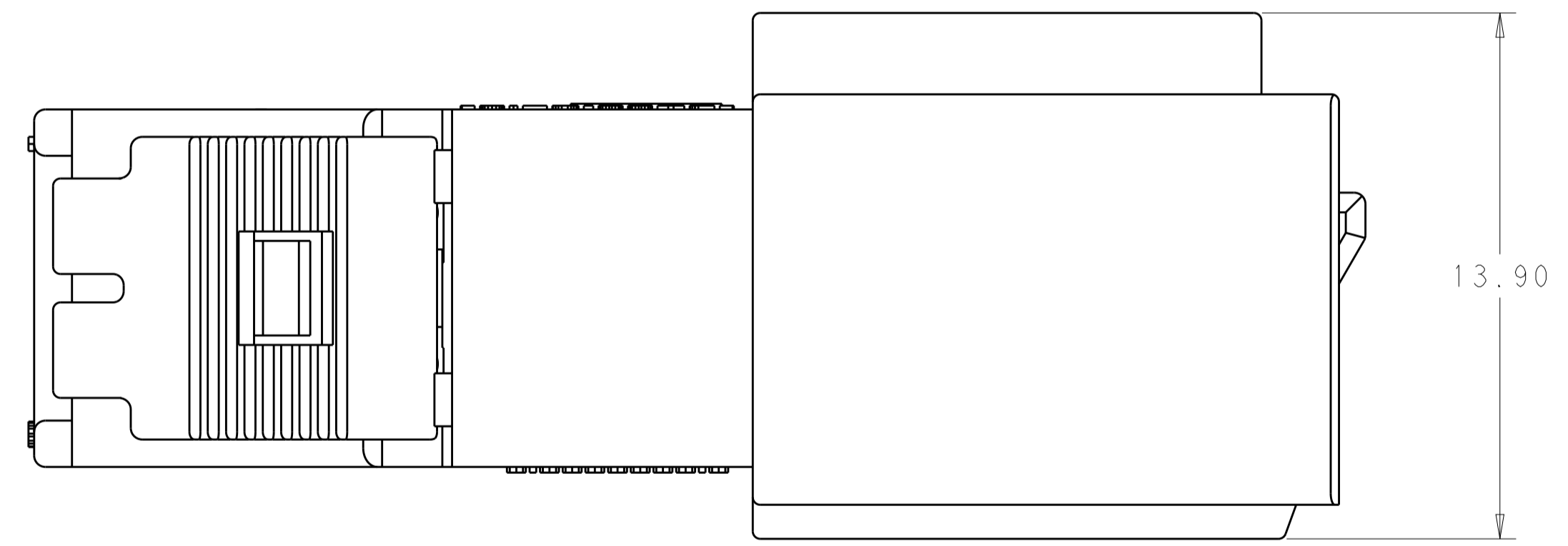
MALE CONNECTOR HOUSING



SCALE 7:1

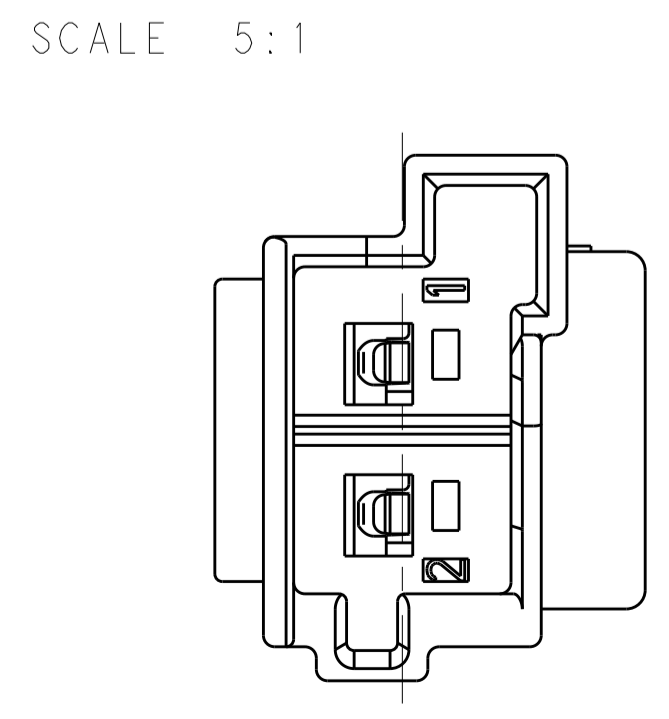


SCALE 7:1



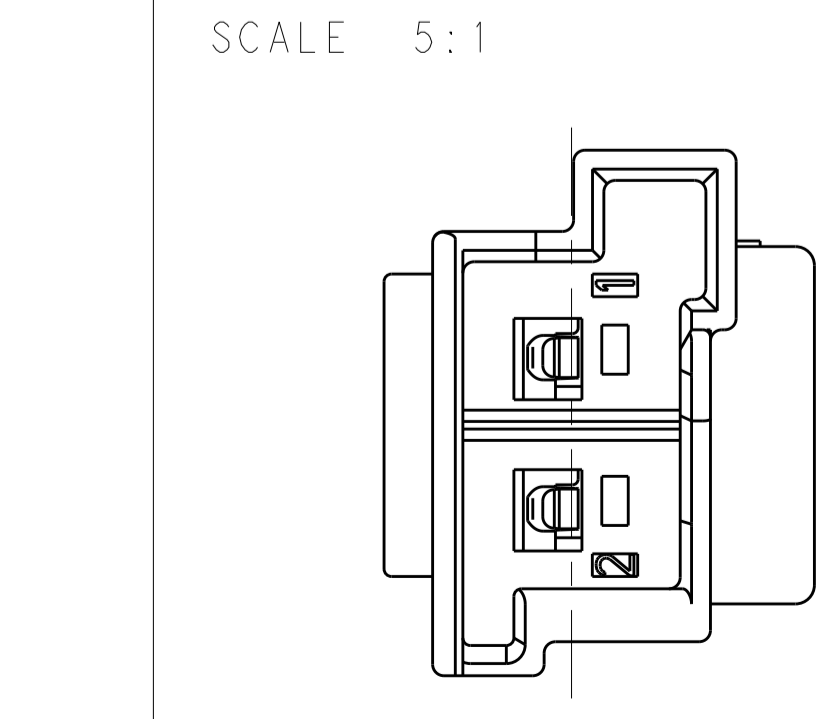
SCALE 5:1

KEY OPTION "B"



SCALE 5:1

KEY OPTION "C"



SCALE 5:1

KEY OPTION "D"

GRAY	D	2203701-4
GREEN	C	2203701-3
BLUE	B	2203701-2
BEIGE	A	2203701-1
COLOR	KEYING OPTION	PART NUMBER

THIS DRAWING IS A CONTROLLED DOCUMENT.

DIMENSIONS:	TOLERANCES UNLESS OTHERWISE SPECIFIED:	DWN: 06JUN2013	PR: 06JUN2013	CHK: 06JUN2013	PR: 06JUN2013	APVD: 06JUN2013	PR: 06JUN2013
mm	0 PLC ± 1 PLC ±0.30 2 PLC ±0.15 3 PLC ± 4 PLC ±	NAME: 2P UNSEALED (1.2 MCON) CAP HOUSING		PRODUCT SPEC: -		APPLICATION SPEC: -	
MATERIAL: -	FINISH: -	SIZE: A1	CAGE CODE: 00779	DRAWING NO: 2203701	RESTRICTED TO: -	Customer Drawing	
				SCALE: 3:1	SHEET: 1 OF 1	REV: A2	

STE TE Connectivity