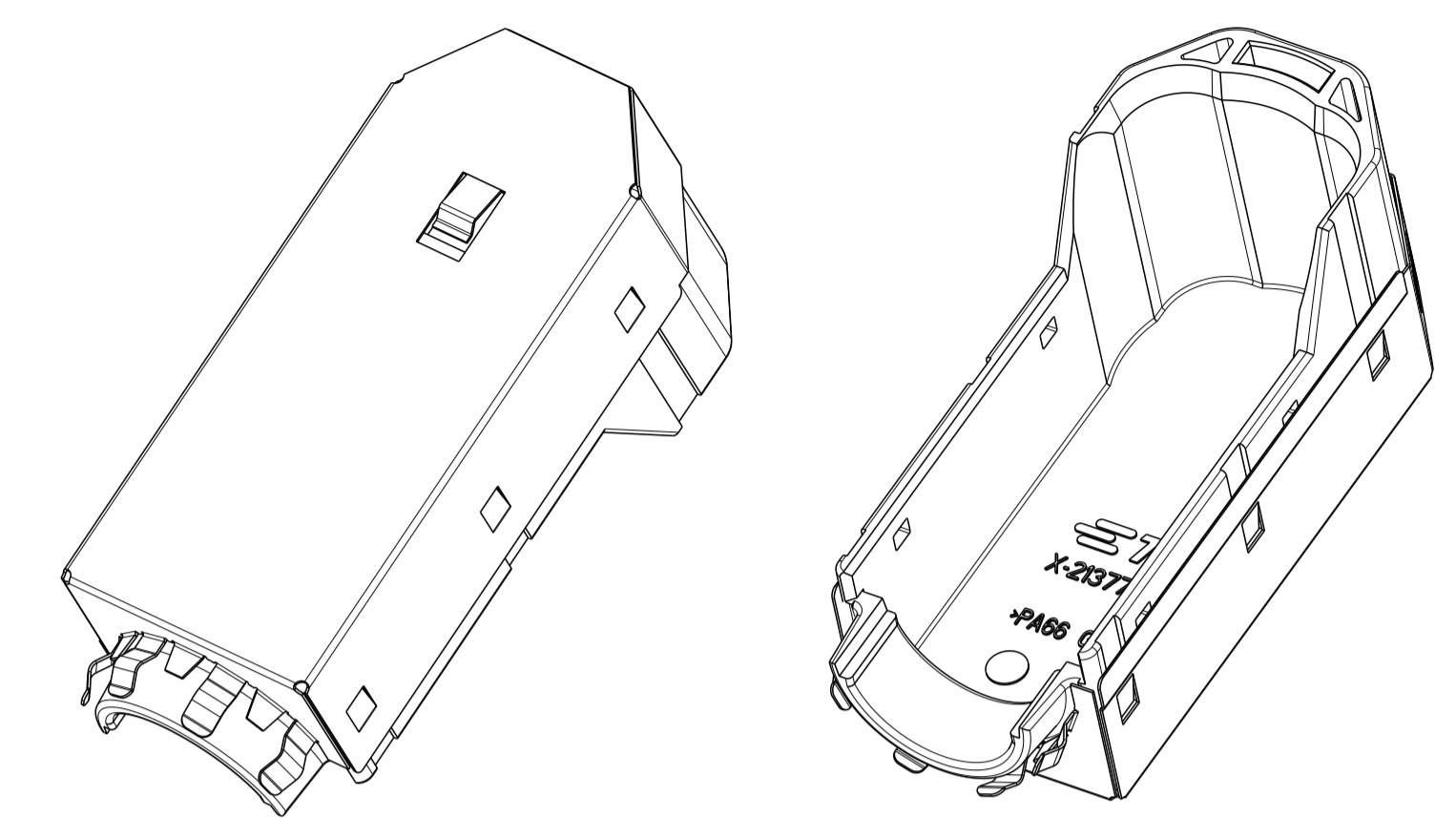
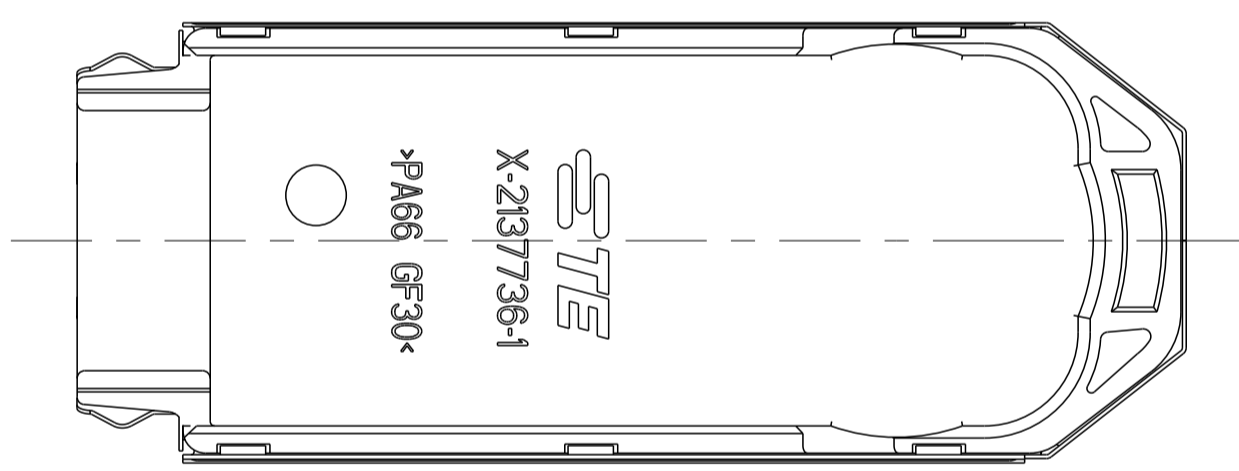
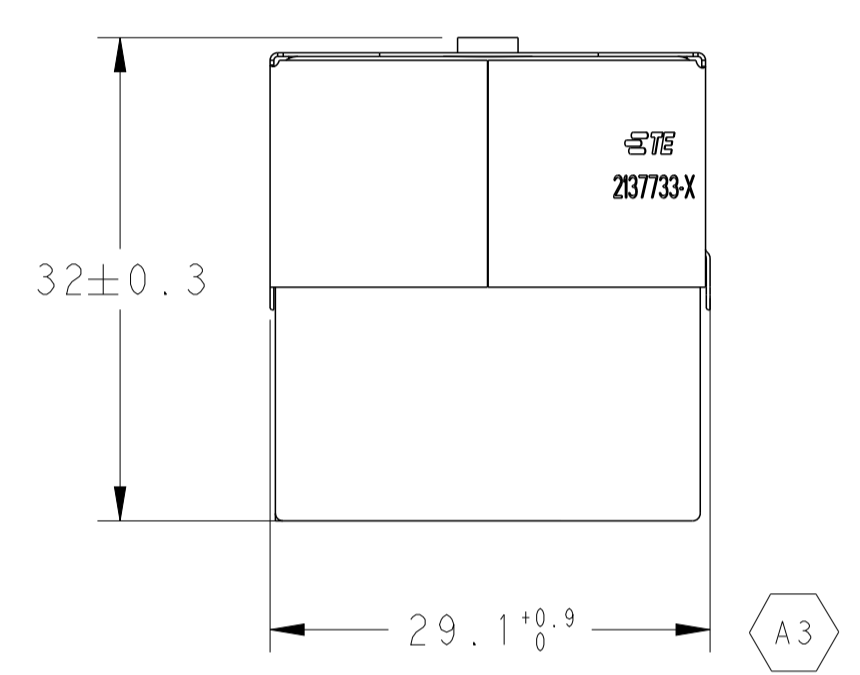
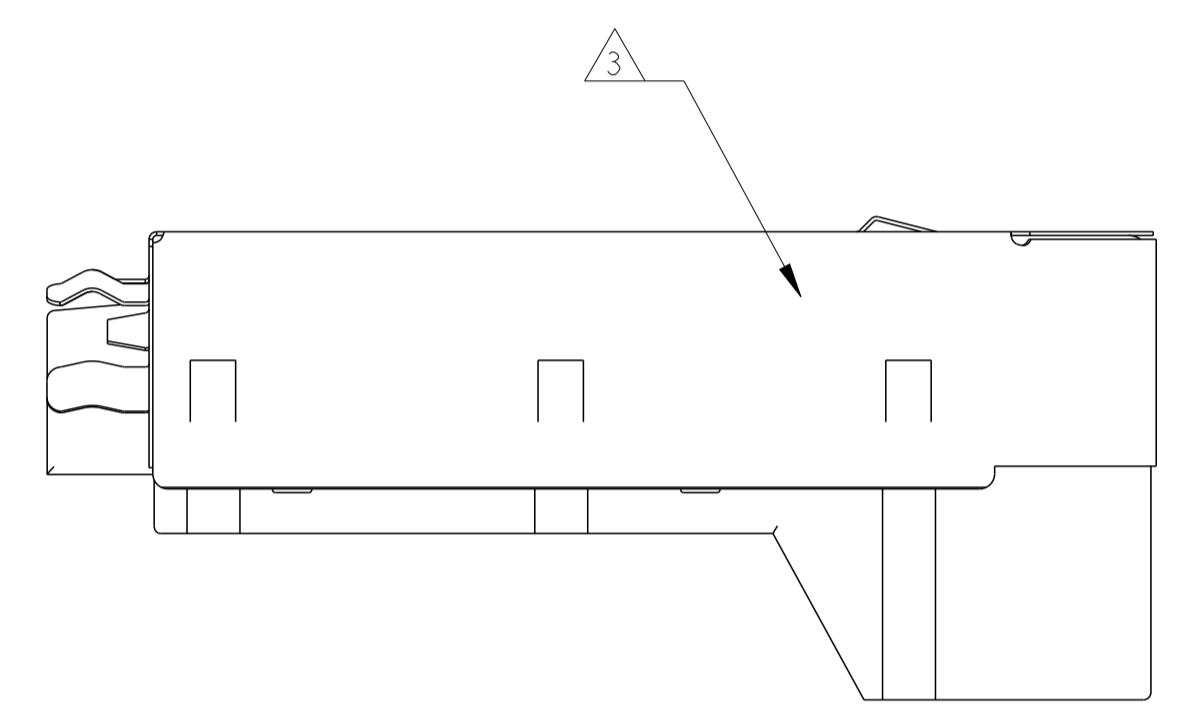
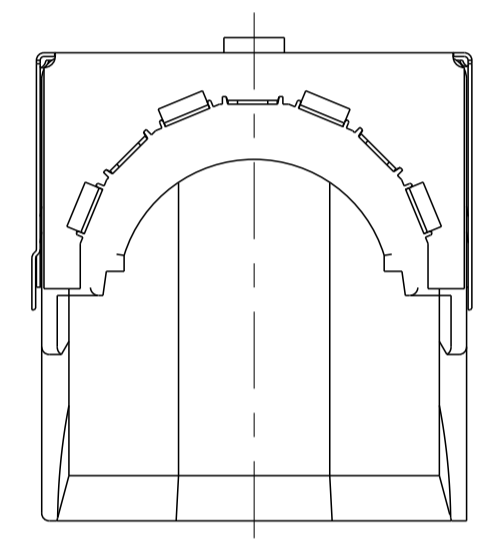
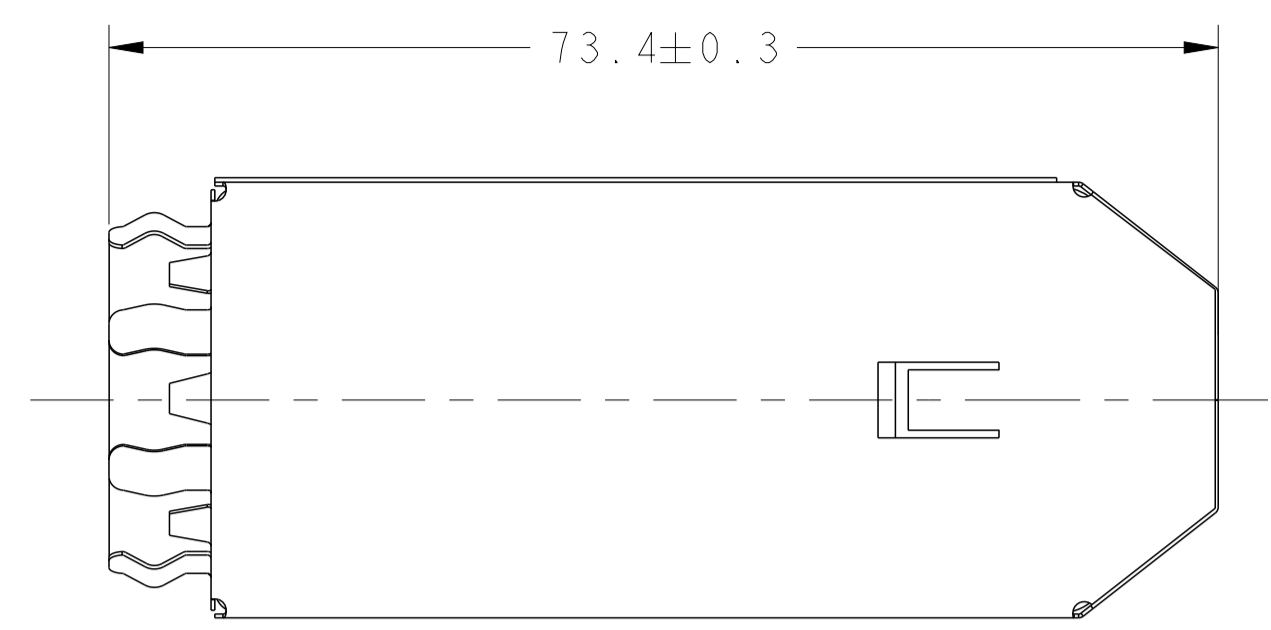
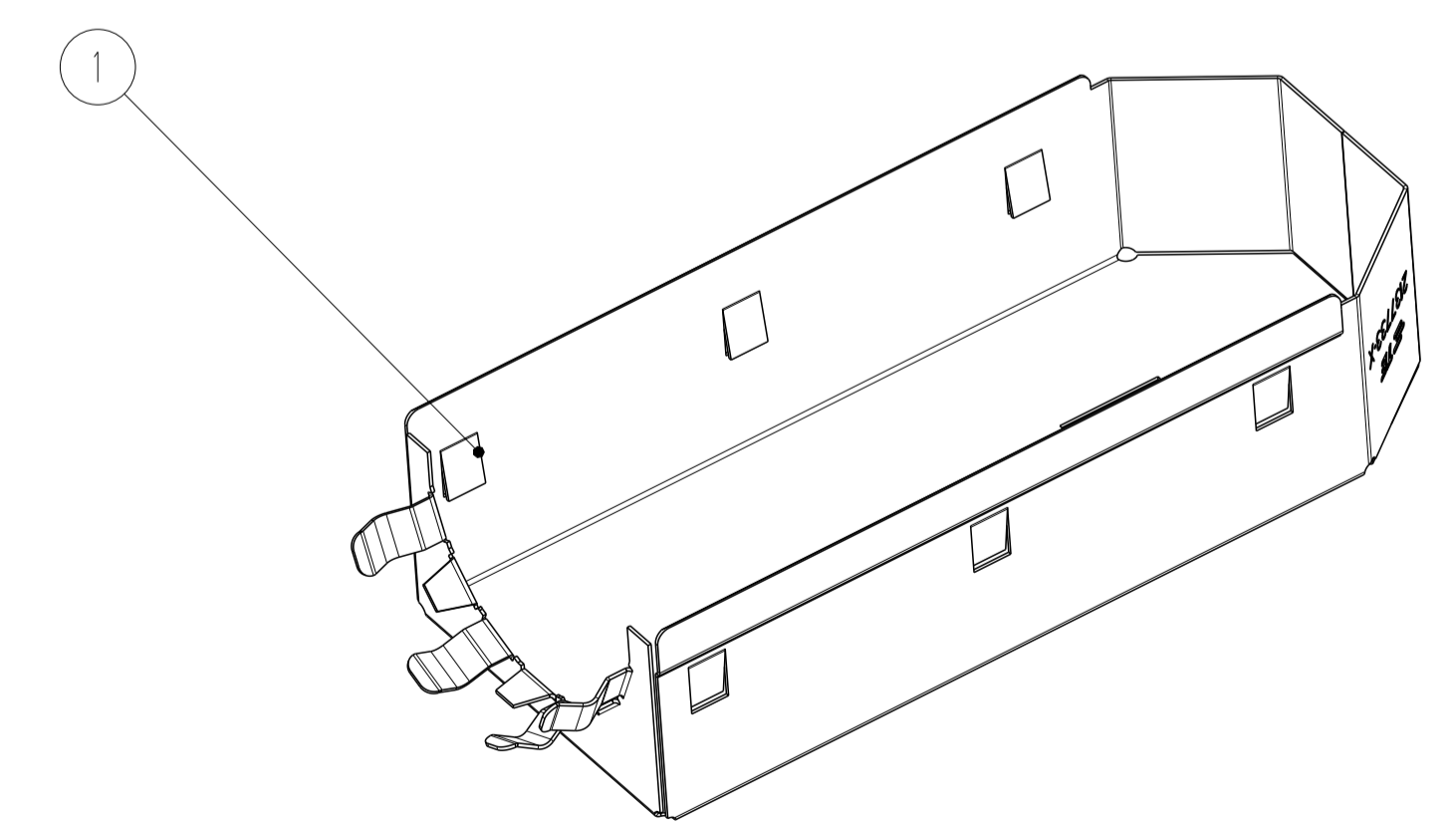
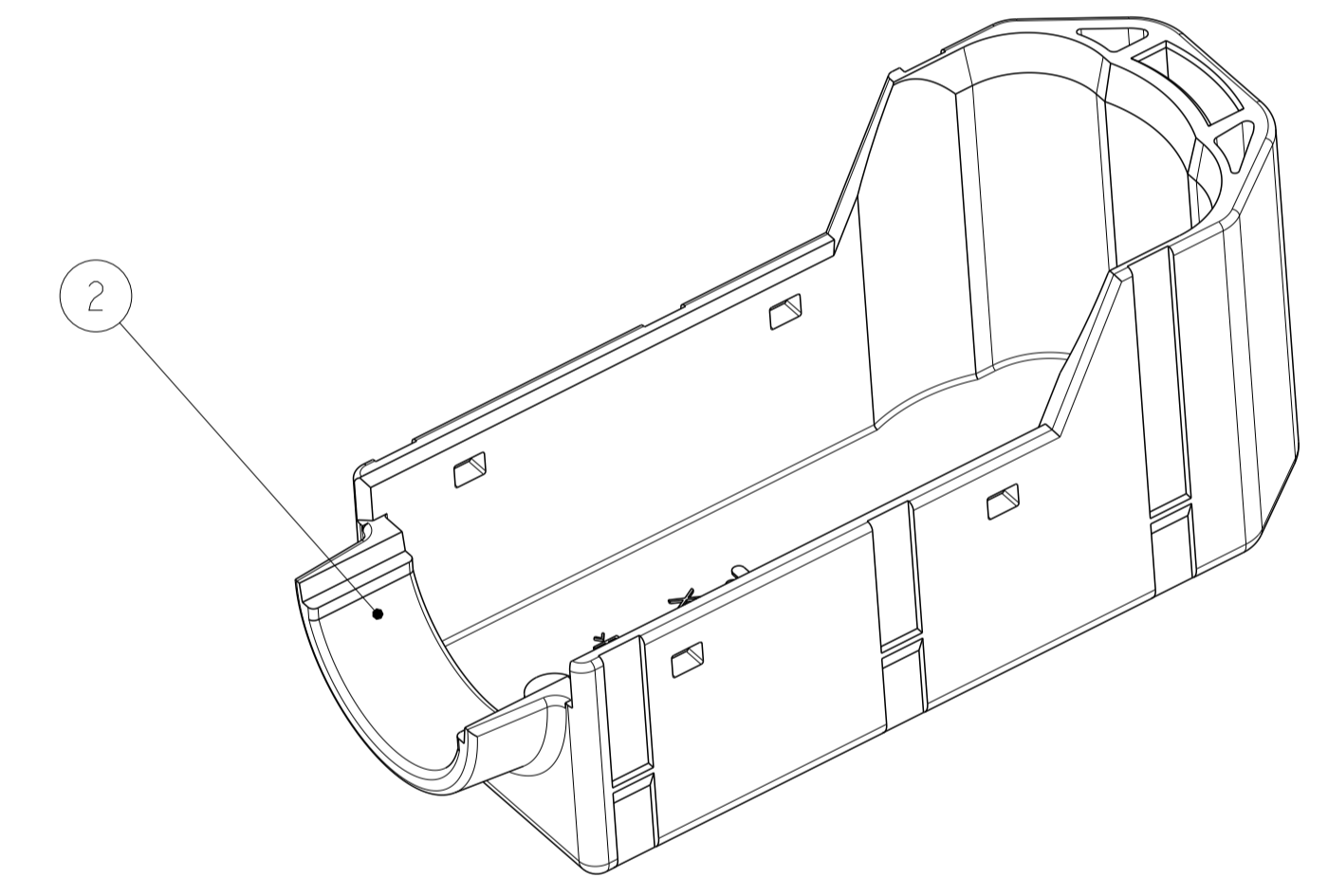


LOC		DIST		REVISIONS				
ES		00		REV	DESCRIPTION	DATE	DWN	APVD
A				RELEASED		08NOV11	EW	KO
A1				REVISED ECO-18-002914		27FEB18	DD	EJ
A2				REVISED ECO-18-004938		29MAR18	DD	EJ
A3				REVISED ECO-18-010787		04JUL18	DD	EJ



- NOTES
- FINAL TEST: VISUAL INSPECTION FOR COMPLETENESS
 - LAYER PACKING WITH CORRUGATED
 - SHIELD PUSH FORCE 20N MIN



TE-ASSY-NO	DESCRIPTION	DESCRIPTION	MATERIAL	SURFACE COLOR	ITEM
1-2137735-1	UPPER INSERT ASSY V0	UPPER COVER V0	PA66 GF30 V0	NATURAL	2
		UPPER SHIELD 90 DEG	COPPER ALLOY	PRE-TIN	1
0-2137735-1	UPPER INSERT ASSY	UPPER COVER	PA66 GF30	BLACK	2
		UPPER SHIELD 90 DEG	COPPER ALLOY	PRE-TIN	1

THIS DRAWING IS A CONTROLLED DOCUMENT.

DIMENSIONS:	TOLERANCES UNLESS OTHERWISE SPECIFIED:	DWN	E. WANG	08NOV11
mm	0-PLC ±0.5	CHK	N. ZHOU	08NOV11
	1-PLC ±0.3	APVD	K. QDA	08NOV11
	3-PLC ±0.13	NAME		
	4-PLC ±0.001	PRODUCT SPEC		
	ANGLES ±0.001	108-101010		
	FINISH	APPLICATION SPEC		
		114-101010		
		WEIGHT		
		CUSTOMER DRAWING		

TE Connectivity
 UPPER INSERT ASSY
 SCALE 2:1 SHEET 1 OF 1 REV A3