



AMP | AMP CPC

TE Internal #: 213603-5

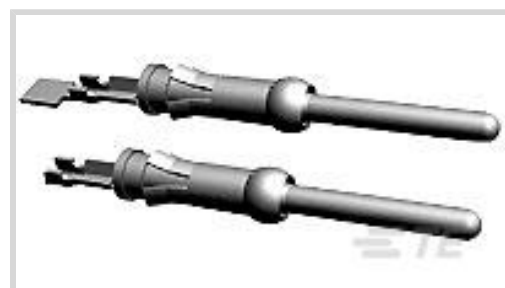
Power Contacts, Contact, Tin, 18 – 14 AWG Wire Size, .8 – 2 mm²

Wire Size, Wire & Cable, Crimp, Signal, Pin, -55 – 90 °C [-67 – 194 °

F], AMP CPC

[View on TE.com >](#)

Connectors > Power Connectors > Power Contacts > CPC MIL 5015 CONTACTS



Power Contact Type: **Contact**

Contact Mating Area Plating Material: **Tin**

Wire Size: **.8 – 2 mm²**

Sealable: **No**

[All CPC MIL 5015 CONTACTS \(3\)](#)

Features

Product Type Features

Power Contact Type	Contact
Sealable	No
Connector & Contact Terminates To	Wire & Cable

Electrical Characteristics

Test Current	13 A
--------------	------

Contact Features

Contact Mating Area Plating Material	Tin
Contact Current Rating (Max)	13 A
Contact Type	Pin
Contact Retention Within Housing	With
Mating Pin Diameter	1.57 mm[.062 in]
Contact Base Material	Brass
Contact Mating Area Plating Material Thickness	1.27 μm[50 μin]
Contact Mating Area Plating Material Finish	Bright
Wire Contact Termination Area Plating Thickness	1.27 μm[50 μin]
Wire Contact Termination Area Plating Material	Tin
Wire Contact Termination Area Plating Material Finish	Bright
Contact Orientation	Straight



Contact Underplating Material	Nickel
Contact Underplating Material Thickness	1.27 μm[50 μin]
Barrel Type	Open Barrel
Contact Size	16

Termination Features

Termination Method to Wire & Cable	Crimp
------------------------------------	-------

Mechanical Attachment

Wire Insulation Support	Without
-------------------------	---------

Dimensions

Wire Size	.8 – 2 mm ²
Accepts Wire Insulation Diameter Range	2.79 – 3.81 mm[.11 – .15 in]

Usage Conditions

Operating Temperature Range	-55 – 90 °C[-67 – 194 °F]
-----------------------------	---------------------------

Operation/Application

Circuit Application	Signal
---------------------	--------

Packaging Features

Packaging Method	Reel
Packaging Quantity	4000

Other

Wire/Cable Type	Discrete Wire
For Use With	MIL-C-5015 Circular Connectors
Comment	For use in MIL-C-5015 CPC Connectors only

Product Compliance

[For compliance documentation, visit the product page on TE.com>](#)

EU RoHS Directive 2011/65/EU	Compliant
EU ELV Directive 2000/53/EC	Compliant
China RoHS 2 Directive MIIT Order No 32, 2016	No Restricted Materials Above Threshold
EU REACH Regulation (EC) No. 1907/2006	Current ECHA Candidate List: JUNE 2022 (224) Candidate List Declared Against: JAN 2022 (223) SVHC > Threshold:

Not Yet Reviewed

Halogen Content

Low Halogen - Br, Cl, F, I < 900 ppm per homogenous material. Also BFR/CFR/PVC Free

Solder Process Capability

Not applicable for solder process capability

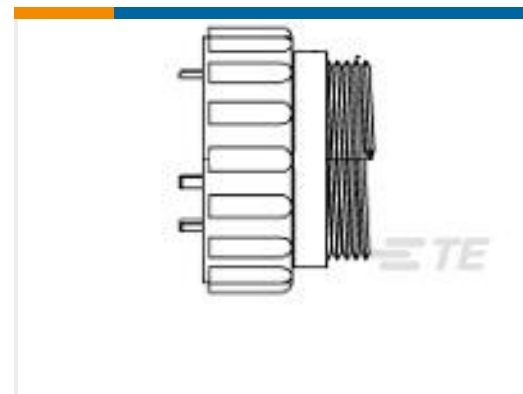
Product Compliance Disclaimer

This information is provided based on reasonable inquiry of our suppliers and represents our current actual knowledge based on the information they provided. This information is subject to change. The part numbers that TE has identified as EU RoHS compliant have a maximum concentration of 0.1% by weight in homogenous materials for lead, hexavalent chromium, mercury, PBB, PBDE, DBP, BBP, DEHP, DIBP, and 0.01% for cadmium, or qualify for an exemption to these limits as defined in the Annexes of Directive 2011/65/EU (RoHS2). Finished electrical and electronic equipment products will be CE marked as required by Directive 2011/65/EU. Components may not be CE marked. Additionally, the part numbers that TE has identified as EU ELV compliant have a maximum concentration of 0.1% by weight in homogenous materials for lead, hexavalent chromium, and mercury, and 0.01% for cadmium, or qualify for an exemption to these limits as defined in the Annexes of Directive 2000/53/EC (ELV). Regarding the REACH Regulation, the information TE provides on SVHC in articles for this part number is based on the latest European Chemicals Agency (ECHA) 'Guidance on requirements for substances in articles' posted at this URL: <https://echa.europa.eu/guidance-documents/guidance-on-reach>

Compatible Parts



TE Part # CAT-AM71-C83998Y
CPC SERIES 1 SEALED ONE-PIECE



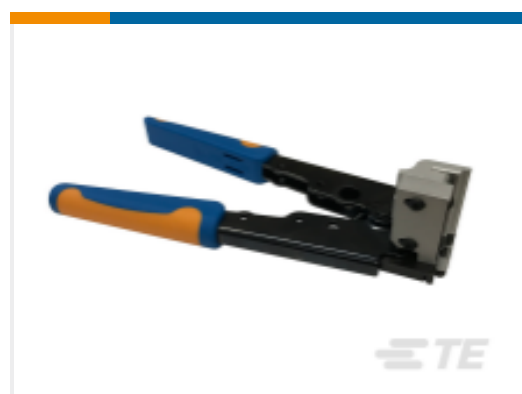
TE Part # 206516-1
CPC PLUG ASSEMBLY SIZE 11-4



TE Part # CAT-AM71-C83998K
CPC SERIES 6



TE Part # 91521-1
CCII TYPE III+ PIN SKT 18-14 ASSY



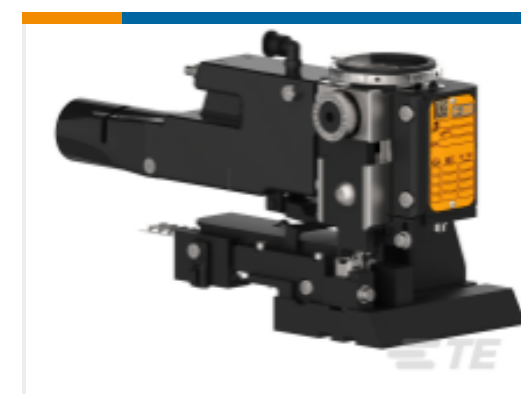
TE Part # 2305570-1
TERMINAL CUTTER, SIDE FEED



TE Part # 2151405-1
OCEAN_2.0_Applicator-S-090F1550



TE Part # 2-2151405-1
OCEAN_2.0_Applicator-S-090F1550



TE Part # 2-2151405-2
OCEAN_2.0_Applicator-S-090F1550



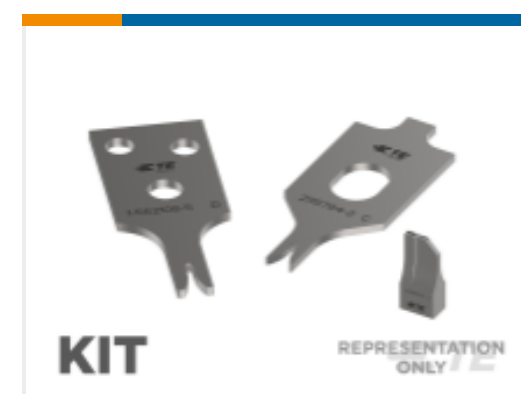
TE Part # 2151405-2
OCEAN_2.0_Applicator-S-090F1550



TE Part # 7-2151405-1
OCEAN_2.0_Applicator-S-090F1550



TE Part # 7-2151405-2
OCEAN_2.0_Applicator-S-090F1550



TE Part # 7-2151405-7
OCEAN_2.0_SPARE_PART_KIT-090F1550

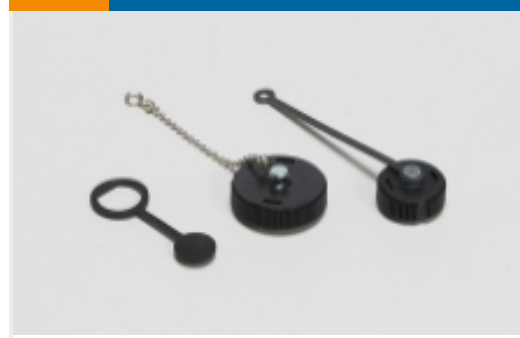
Also in the Series | AMP CPC



Circular Connector Adapters(7)



Circular Connector Boots & Strain Relief(6)



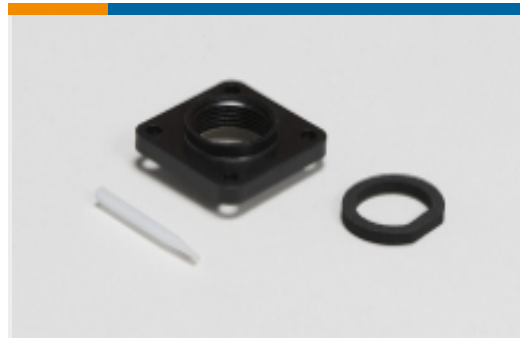
Circular Connector Caps & Covers(16)



Circular Connector Hardware(3)



Circular Connector Keying Plugs(2)



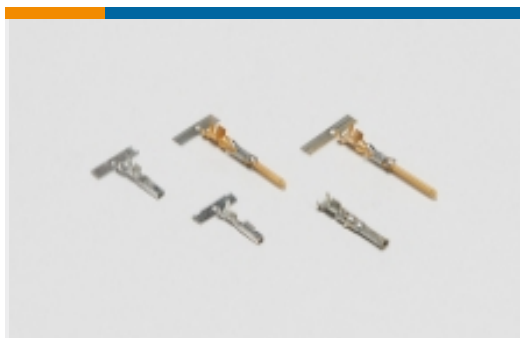
Circular Connector Seals(36)



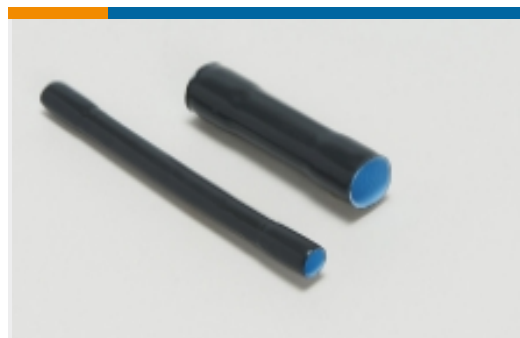
Circular Power Connectors(516)



Insertion & Extraction Tools(1)



Power Contacts(6)



Sealing Sleeves(2)

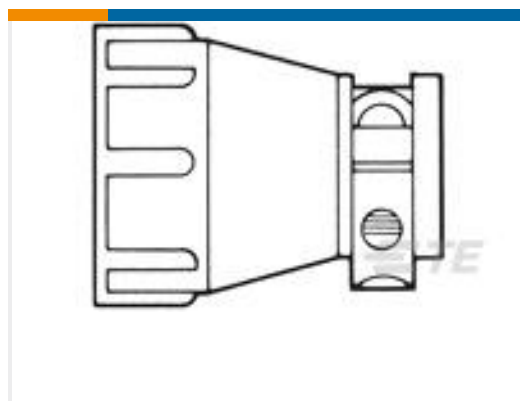


Unscreened Circular Connector Backshells & Clamps(56)

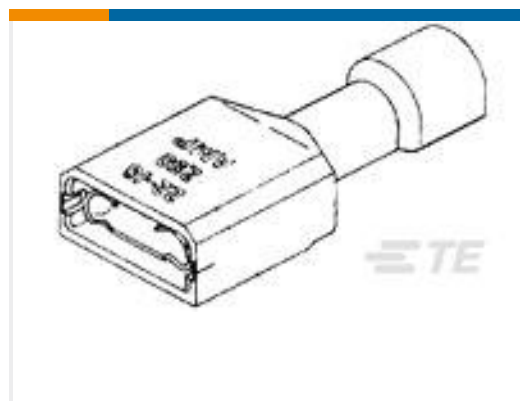
Customers Also Bought



TE Part #213570-1
CPC MIL 5015



TE Part #1-206070-0
CABLE CLAMP KIT, BULK PKG



TE Part #2-520193-2
ULTRA-FAST 187 ASY REC 22-18 TPBR



TE Part #1375820-5
CST-100 II HOUSING 5 POS



TE Part #321873
BODY SOLIS RING 2/0 1/2



TE Part #41480
250 FASTON TAB TPBR



TE Part #1586589-1
08p mini umnl 2 plug hsg spcl



TE Part #1586590-1
10p mini umnl plug hsg spcl



Documents

Product Drawings

5015 PIN,18-14,TIN-LEAD,STRIP

English

CAD Files

3D PDF

3D

Customer View Model

[ENG_CVM_CVM_213603-5_L.2d_dxf.zip](#)

English

Customer View Model

[ENG_CVM_CVM_213603-5_L.3d_igs.zip](#)

English

Customer View Model

[ENG_CVM_CVM_213603-5_L.3d_stp.zip](#)

English

By downloading the CAD file I accept and agree to the [Terms and Conditions](#) of use.

Datasheets & Catalog Pages

AMP Circular Connectors for Commercial Signal & Power Applications Continued

English

Product Specifications

Application Specification

English

Product Environmental Compliance

Product Compliance

English

Product Compliance

English

Agency Approvals

UL Report

English