

2138530-1 ✓ ACTIVE

AMP | AMPSEAL

TE Internal #: 2138530-1

Automotive Connector Caps & Covers, Backshell, Cable Exit Angle
180° (In-Line), Black, PBT, Wire-to-Board, 14 Position, AMPSEAL

[View on TE.com >](#)



Connectors > Automotive Connectors > Connector Accessories > Connector Caps & Covers > AMPSEAL Backshells



Protection & Strain Relief Accessory Type: **Backshell**

Cable Exit Angle: **180° (In-Line)**

Strain Relief: **With**

Primary Product Color: **Black**

Primary Product Material: **PBT**

[All AMPSEAL Backshells \(7\)](#)

Features

Product Type Features

Protection & Strain Relief Accessory Type	Backshell
Connector System	Wire-to-Board
Sealable	No
Connector & Contact Terminates To	Wire & Cable

Configuration Features

Number of Positions	14
---------------------	----

Body Features

Cable Exit Angle	180° (In-Line)
Primary Product Color	Black
Primary Product Material	PBT

Mechanical Attachment

Strain Relief	With
---------------	------

Usage Conditions



Operating Temperature (Max)	70 °C, 75 °C, 80 °C, 85 °C, 90 °C, 100 °C, 105 °C[158 °F][167 °F][176 °F][185 °F][194 °F] [212 °F][221 °F]
-----------------------------	------------------------------------------------------------------------------------------------------------------

Operating Temperature Range	-40 – 105 °C[-40 – 221 °F]
-----------------------------	----------------------------

Industry Standards

Degree of Protection	IP69
----------------------	------

UL Flammability Rating	UL 94HB
------------------------	---------

Packaging Features

Packaging Quantity	1
--------------------	---

Packaging Method	Bag
------------------	-----

Other

Serviceable	Yes
-------------	-----

Product Compliance

[For compliance documentation, visit the product page on TE.com>](#)

EU RoHS Directive 2011/65/EU	Compliant
------------------------------	-----------

EU ELV Directive 2000/53/EC	Compliant
-----------------------------	-----------

China RoHS 2 Directive MIIT Order No 32, 2016	No Restricted Materials Above Threshold
-----------------------------------------------	-----------------------------------------

EU REACH Regulation (EC) No. 1907/2006	Current ECHA Candidate List: JUNE 2022 (224) Candidate List Declared Against: JUL 2021 (219) SVHC > Threshold: Not Yet Reviewed
----------------------------------------	------------------------------------------------------------------------------------------------------------------------------------------------

Halogen Content	Low Halogen - Br, Cl, F, I < 900 ppm per homogenous material. Also BFR/CFR/PVC Free
-----------------	-------------------------------------------------------------------------------------------

Solder Process Capability	Not applicable for solder process capability
---------------------------	----------------------------------------------

Product Compliance Disclaimer


This information is provided based on reasonable inquiry of our suppliers and represents our current actual knowledge based on the information they provided. This information is subject to change. The part numbers that TE has identified as EU RoHS compliant have a maximum concentration of 0.1% by weight in homogenous materials for lead, hexavalent chromium, mercury, PBB, PBDE, DBP, BBP, DEHP, DIBP, and 0.01% for cadmium, or qualify for an exemption to these limits as defined in the Annexes of Directive 2011/65/EU (RoHS2). Finished electrical and electronic equipment products will be CE marked as required by Directive 2011/65/EU. Components may not be CE marked. Additionally, the part numbers that TE has identified as EU ELV compliant have a maximum concentration of 0.1% by weight in homogenous materials for lead, hexavalent chromium, and mercury, and 0.01% for cadmium, or qualify for an exemption to these limits as defined in the Annexes of Directive 2000/53/EC (ELV). Regarding the REACH Regulation, the information TE provides on SVHC in articles for this part number is based on the latest European Chemicals Agency (ECHA) 'Guidance on requirements for substances in articles' posted at this URL: <https://echa.europa.eu/guidance-documents/guidance-on-reach>

Compatible Parts

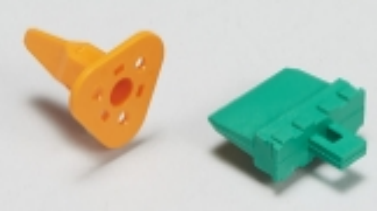


TE Part # CAT-AM78-CH8172
AMPSEAL Receptacle Housings


Also in the Series | AMPSEAL




Automotive Connector Caps & Covers (7)




Automotive Connector Locks & Position Assurance(1)



Automotive Housings(31)



Automotive Seals & Cavity Plugs(1)



Automotive Terminals(8)



PCB Headers & Receptacles(72)

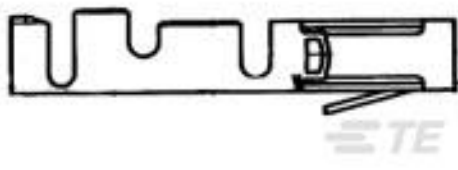
Customers Also Bought



TE Part #776267-5
14 POS RTANG HDR ASSY W/GASKET



TE Part #T4112012041-000
M12 F, 4P GOLD A_CODE RA SHIELDED PG9



TE Part #280530-4
MOD2 BUCHSE



TE Part #770678-1
SEAL PLUG, AMPSEAL



TE Part #6-2176307-2
RP 1E 0.1W 53K6 0.1% 25PPM 5K RL



TE Part #7-2176307-0
RP 1E 0.1W 64K9 0.1% 25PPM 5K RL



TE Part #776273-1
14POS,AMPSEAL,SOC HSG ASSY,SLD,
COD 1



TE Part #776463-1
STRAIN RELIEF,35 POSITION
AMPSEAL



TE Part #HD36-18-14SE-L006
PLG,14P,AL,E,CBL CLMP BT,
NODRAIN,16,S,MC



TE Part #YHVA630-2PHM-6MM-A
HVA630-2pmm,6sqmm,Key A

Documents

Product Drawings

STRAIN RELIEF,14 POSITION AMPSEAL

English

CAD Files

3D PDF

3D

Customer View Model

[ENG_CVM_CVM_2138530-1_D.2d_dxf.zip](#)

English

Customer View Model

[ENG_CVM_CVM_2138530-1_D.3d_igs.zip](#)

English

Customer View Model

[ENG_CVM_CVM_2138530-1_D.3d_stp.zip](#)

English

By downloading the CAD file I accept and agree to the [Terms and Conditions](#) of use.

Datasheets & Catalog Pages

AMPSEAL Connector Catalog

English

Product Specifications

Product Specification

English