

2177367-3 ✓ ACTIVE

MQS

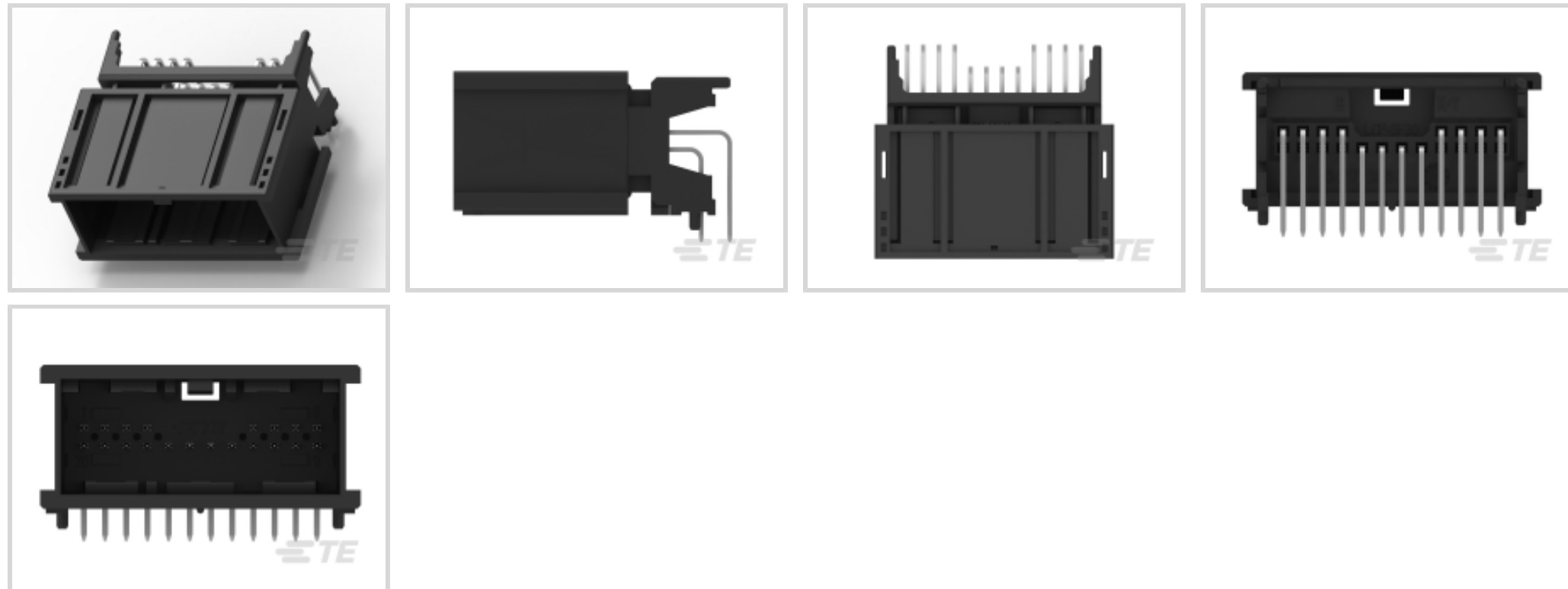
TE Internal #: 2177367-3

PCB Mount Header, Horizontal, Wire-to-Board, 20 Position, .071 in [1.8 mm] Centerline, Fully Shrouded, Tin (Sn), Through Hole - Solder, Signal, MQS

[View on TE.com >](#)



Connectors > PCB Connectors > PCB Headers & Receptacles > MINIATURIZED HEADER



Connector System: **Wire-to-Board**

Number of Positions: **20**

Centerline (Pitch): **1.8 mm [.071 in]**

Sealable: **No**

PCB Mount Orientation: **Horizontal**

[All MINIATURIZED HEADER \(45\)](#)

Features

Product Type Features

Hybrid Header	No
Connector & Housing Shape	Rectangular
PCB Connector Assembly Type	PCB Mount Header
Header Type	Fully Shrouded
Connector System	Wire-to-Board
Sealable	No
Connector & Contact Terminates To	Printed Circuit Board

Configuration Features

Number of Sections	1
Number of Signal Positions	20
Number of Positions	20
PCB Mount Orientation	Horizontal
Number of Rows	2



Electrical Characteristics

Nominal Voltage Architecture	12 V
Operating Voltage	12 VDC

Body Features

Primary Product Color	Black
Connector Code	A

Contact Features

Contact Size	.5mm
Contact Type	Tab
Mating Tab Width	.5 mm[.02 in]
Mating Tab Thickness	.4 mm[.016 in]
Contact Mating Area Plating Material	Tin (Sn)

Termination Features

Termination Method to Printed Circuit Board	Through Hole - Solder
---	-----------------------

Mechanical Attachment

Mounting Holes	Without
Mating Retention	With
Mating Alignment	With
PCB Mount Alignment	With
Panel Mount Feature	Without
PCB Mount Retention	Without
Mating Retention Type	Locking Interface

Housing Features

Centerline (Pitch)	1.8 mm[.071 in]
--------------------	-----------------

Dimensions

Connector Length	27.25 mm[1.073 in]
Connector Width	24.47 mm[.963 in]
PCB Thickness (Recommended)	.8 mm[.031 in]
Profile Height from PCB	12.6 mm[.496 in]

Usage Conditions

Operating Temperature (Max)	65 °C, 70 °C, 75 °C, 80 °C, 85 °C, 90 °C, 100 °C, 105 °C[149 °F][158 °F][167 °F][176 °F]
-----------------------------	--



	[185 °F][194 °F][212 °F][221 °F][230 °F][248 °F]
--	--

Operating Temperature Range	-40 – 105 °C[-40 – 221 °F]
-----------------------------	----------------------------

Operation/Application

Shielded	No
----------	----

Circuit Application	Signal
---------------------	--------

Industry Standards

UL Flammability Rating	UL 94V-0
------------------------	----------

Packaging Features

Packaging Type	Tray
----------------	------

Other

Interface Number	114-20160
------------------	-----------

Product Compliance

[For compliance documentation, visit the product page on TE.com>](#)

EU RoHS Directive 2011/65/EU	Compliant
------------------------------	-----------

EU ELV Directive 2000/53/EC	Compliant
-----------------------------	-----------

China RoHS 2 Directive MIIT Order No 32, 2016	No Restricted Materials Above Threshold
---	---

EU REACH Regulation (EC) No. 1907/2006	Current ECHA Candidate List: JUNE 2022 (224) Candidate List Declared Against: JAN 2022 (223) SVHC > Threshold: Not Yet Reviewed
--	--

Halogen Content	Low Halogen - Br, Cl, F, I < 900 ppm per homogenous material. Also BFR/CFR/PVC Free
-----------------	---

Solder Process Capability	Not reviewed for solder process capability
---------------------------	--

Product Compliance Disclaimer

This information is provided based on reasonable inquiry of our suppliers and represents our current actual knowledge based on the information they provided. This information is subject to change. The part numbers that TE has identified as EU RoHS compliant have a maximum concentration of 0.1% by weight in homogenous materials for lead, hexavalent chromium, mercury, PBB, PBDE, DBP, BBP, DEHP, DIBP, and 0.01% for cadmium, or qualify for an exemption to these limits as defined in the Annexes of Directive 2011/65/EU (RoHS2). Finished electrical and electronic equipment products will be CE marked as required by Directive 2011/65/EU. Components may not be CE marked. Additionally, the part numbers that TE has identified as EU ELV compliant have a maximum concentration of 0.1% by weight in homogenous materials for lead, hexavalent chromium, and mercury, and 0.01% for cadmium, or qualify for an exemption to these limits as defined in the Annexes of Directive 2000/53/EC (ELV). Regarding the REACH Regulation, the information TE provides

on SVHC in articles for this part number is based on the latest European Chemicals Agency (ECHA) 'Guidance on requirements for substances in articles' posted at this URL: <https://echa.europa.eu/guidance-documents/guidance-on-reach>

Compatible Parts



TE Part # 2177588-1
20POS NANO MQS TL PLUG HOUSING, CODE A



TE Part # 2365086-1
20POS, NANOMQS, REC HSG, UNSLD, COD A, FPC

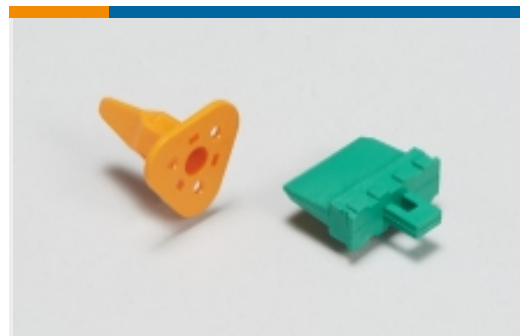
Also in the Series | MQS



Automotive Connector Caps & Covers (132)



Automotive Connector EMC Shielding (2)



Automotive Connector Locks & Position Assurance (29)



Automotive Housings (489)



Automotive Seals & Cavity Plugs (26)



Automotive Terminals (96)



Insertion & Extraction Tools (42)

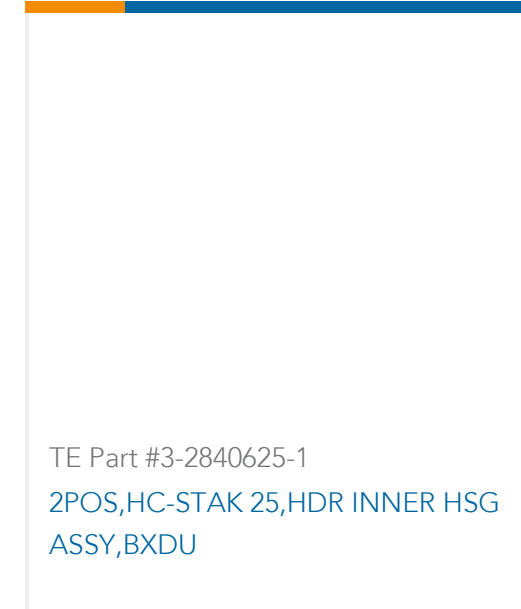
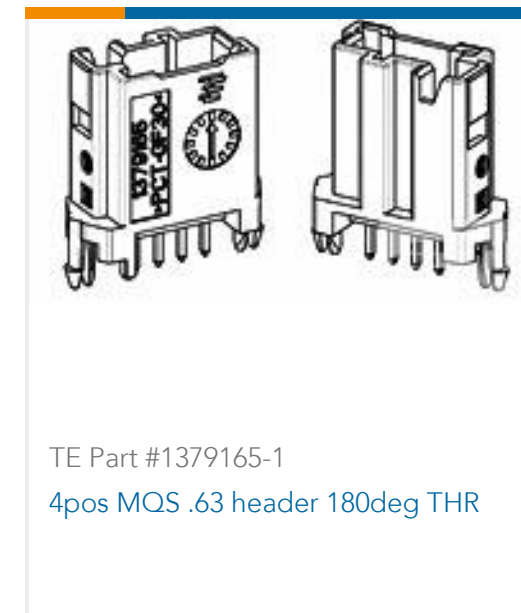


Other Automotive Connector Accessories (13)



PCB Headers & Receptacles (207)

Customers Also Bought



Documents

Product Drawings

20POS, TAB 0.5X0.4, HEADER ASSY, CODA

English

CAD Files

3D PDF

3D

Customer View Model

[ENG_CVM_CVM_2177367-3_D.2d_dxf.zip](#)

English

Customer View Model

[ENG_CVM_CVM_2177367-3_D.3d_igs.zip](#)

English

Customer View Model

[ENG_CVM_CVM_2177367-3_D.3d_stp.zip](#)

English

By downloading the CAD file I accept and agree to the [Terms and Conditions](#) of use.

Product Specifications

Application Specification

English