

2106135-4 ✓ ACTIVE

SlimSeal | SlimSeal Standard Connectors

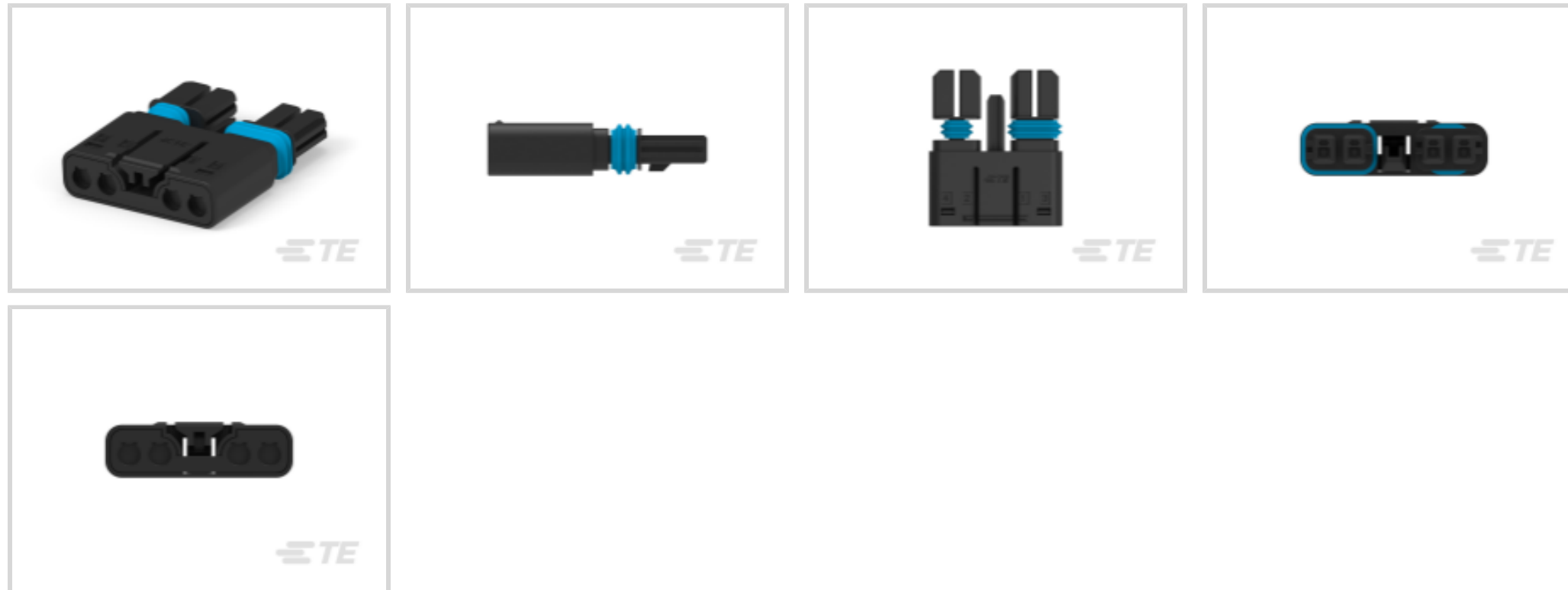
TE Internal #: 2106135-4

Plug & Socket Lighting Connectors, Wire-to-Wire, 4 Position, .14 mm [3.5 in] Centerline, Sealable, Wire & Cable, Plug, SlimSeal Standard Connectors

[View on TE.com >](#)



Connectors > Lighting Connectors > Plug & Socket Connectors



Connector System: **Wire-to-Wire**

Number of Positions: **4**

Centerline (Pitch): **.14 mm [3.5 in]**

Sealable: **Yes**

Connector & Contact Terminates To: **Wire & Cable**

Features

Product Type Features

Product Type	Connector
Wire/Cable Type	Discrete Wire
Connector System	Wire-to-Wire
Sealable	Yes
Connector & Contact Terminates To	Wire & Cable
Lighting Connector Style	Plug

Configuration Features

Number of Positions	4
---------------------	---

Electrical Characteristics

Operating Voltage	400 VDC
-------------------	---------

Contact Features

Accepts Contact Style	Socket
Contact Current Rating (Max)	5 A



Housing Features

Housing Color	Black
Centerline (Pitch)	.14 mm[3.5 in]

Usage Conditions

Operating Temperature Range	-40 – 105 °C[-40 – 221 °F]
-----------------------------	----------------------------

Product Compliance

For compliance documentation, visit the product page on [TE.com](https://www.te.com)>

EU RoHS Directive 2011/65/EU	Compliant
EU ELV Directive 2000/53/EC	Compliant
China RoHS 2 Directive MIIT Order No 32, 2016	No Restricted Materials Above Threshold
EU REACH Regulation (EC) No. 1907/2006	Current ECHA Candidate List: JUNE 2022 (224) Candidate List Declared Against: JAN 2021 (211) SVHC > Threshold: Not Yet Reviewed
Halogen Content	Not Low Halogen - contains Br or Cl > 900 ppm.
Solder Process Capability	Not applicable for solder process capability

Product Compliance Disclaimer

This information is provided based on reasonable inquiry of our suppliers and represents our current actual knowledge based on the information they provided. This information is subject to change. The part numbers that TE has identified as EU RoHS compliant have a maximum concentration of 0.1% by weight in homogenous materials for lead, hexavalent chromium, mercury, PBB, PBDE, DBP, BBP, DEHP, DIBP, and 0.01% for cadmium, or qualify for an exemption to these limits as defined in the Annexes of Directive 2011/65/EU (RoHS2). Finished electrical and electronic equipment products will be CE marked as required by Directive 2011/65/EU. Components may not be CE marked. Additionally, the part numbers that TE has identified as EU ELV compliant have a maximum concentration of 0.1% by weight in homogenous materials for lead, hexavalent chromium, and mercury, and 0.01% for cadmium, or qualify for an exemption to these limits as defined in the Annexes of Directive 2000/53/EC (ELV). Regarding the REACH Regulation, the information TE provides on SVHC in articles for this part number is based on the latest European Chemicals Agency (ECHA) 'Guidance on requirements for substances in articles' posted at this URL: <https://echa.europa.eu/guidance-documents/guidance-on-reach>

Compatible Parts




TE Part # 2106056-8
Assembly, Right Angle SMT Header, 4-Position



TE Part # 2106123-1
CONTACT,Recept, SLC, Tin Plated, On Strip



TE Part # 1-2106123-1
CONTACT,Recept, SLC, Tin Plated, On Strip



TE Part # 2106112-6
Assembly, Vertical TH Header, 4-Position



TE Part # 2106136-4
Assembly, Receptacle, 4-Position



TE Part # 2106053-6
Assembly, Vertical SMT Header, 4-Position



TE Part # 1-2106123-2
CONTACT,Recept, SLC, Tin Plated, Loose P



TE Part # 2106123-2
Contact, Receptacle, Tin Plated, Loose P



TE Part # 2106111-6
Assembly, Right Angle TH Header, 4-Position



TE Part # 2106053-7
Assembly, Vertical SMT Header, 4-Position



TE Part # 2106056-9
Assembly, Right Angle SMT Header, 4-Position



TE Part # 2106111-7
Assembly, Right Angle TH Header, 4-Position




TE Part # 2106112-7
Assembly, Vertical TH Header, 4-Position


Also in the Series | SlimSeal Standard Connectors



Ballast Connectors(4)



Lighting Cable Assemblies(1)



Plug & Socket Lighting Connectors(25)

Customers Also Bought



TE Part #1622820-4
3520 10R 5%



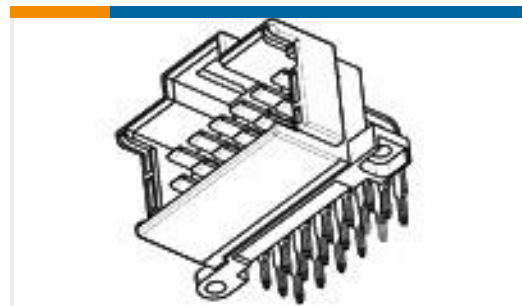
TE Part #2106135-2
Assembly, Free Hanging Plug, SLC, 2
pos



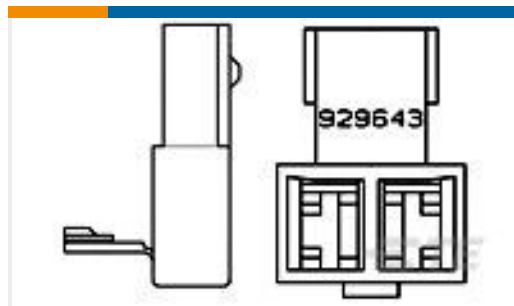
TE Part #1-2106123-1
CONTACT, Recept, SLC, Tin Plated,
On Stri



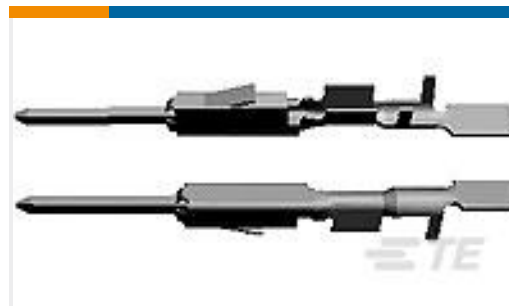
TE Part #3-2176340-9
CRGCO 0603 2M2 5%



TE Part #9-966140-3
MESSERLEISTE 12P



TE Part #929643-1
2P KUPPLUNGSGEH



TE Part #5-962886-1
MOS0,63 Sn tab LL EDS 0,2-0,5

Documents

Product Drawings

[Assembly, Free Hanging Plug, SLC, 4 pos](#)

English

CAD Files

Customer View Model

[ENG_CVM_CVM_2106135-4_B.2d_dxf.zip](#)

English

[3D PDF](#)

3D

Customer View Model

[ENG_CVM_CVM_2106135-4_B.3d_igs.zip](#)

English

Customer View Model

[ENG_CVM_CVM_2106135-4_B.3d_stp.zip](#)

English

By downloading the CAD file I accept and agree to the [Terms and Conditions](#) of use.

Datasheets & Catalog Pages

[SLIMSEAL_SSL_CONNECOTS](#)

English

Product Specifications

[Application Specification](#)

English

Product Environmental Compliance

[TE Material Declaration](#)



English

[Agency Approvals](#)

[UL Report](#)

English