

2203773-1 ✓ ACTIVE

MCON Interconnection System

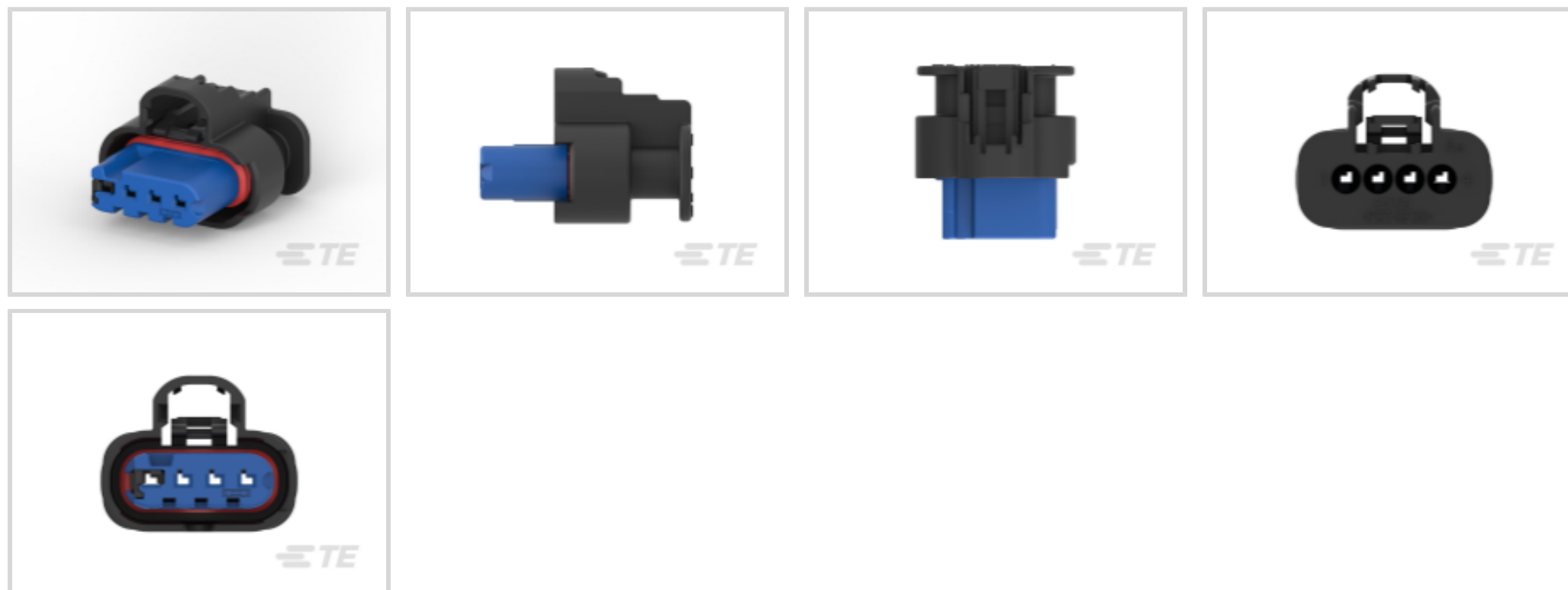
TE Internal #: 2203773-1

Housing for Female Terminals, Wire-to-Wire, 4 Position, .157 in [4 mm] Centerline, Sealable, Blue, Wire & Cable, Signal, MCON Interconnection System

[View on TE.com >](#)



Connectors > Automotive Connectors > Connector Housings > MCON, CONNECTOR HOUSING



Connector & Housing Type: **Housing for Female Terminals**

Mating Tab Width: **1.2 mm [.047 in]**

Connector System: **Wire-to-Wire**

Number of Positions: **4**

Centerline (Pitch): **4 mm [.157 in]**

[All MCON, CONNECTOR HOUSING \(283\)](#)

Features

Product Type Features

Connector & Housing Shape	Rectangular
Connector & Housing Type	Housing for Female Terminals
Connector System	Wire-to-Wire
Sealable	Yes
Hybrid Connector	No
Primary Locking Feature	Integrated in Housing
Connector & Contact Terminates To	Wire & Cable

Configuration Features

Number of Positions	4
Number of Rows	1

Body Features

Cable Exit Angle	180°
------------------	------



Body Material	PBT
---------------	-----

Primary Product Color	Blue
-----------------------	------

Connector Code	A
----------------	---

Contact Features

Contact Size	1.2mm
--------------	-------

Contact Type	Receptacle
--------------	------------

Mating Tab Width	1.2 mm [.047 in]
------------------	------------------

Mechanical Attachment

Mounting Feature	Without
------------------	---------

Terminal Position Assurance	No
-----------------------------	----

Strain Relief	Without
---------------	---------

Mating Alignment Type	Keyed
-----------------------	-------

Mating Alignment	With
------------------	------

Connector Mounting Type	Cable Mount (Free-Hanging)
-------------------------	----------------------------

Housing Features

Centerline (Pitch)	4 mm [.157 in]
--------------------	----------------

Dimensions

Product Width	26.5 mm [1.04 in]
---------------	-------------------

Product Length	24.7 mm [.947 in]
----------------	-------------------

Product Height	19.5 mm [.767 in]
----------------	-------------------

Operation/Application

Circuit Application	Signal
---------------------	--------

Packaging Features

Packaging Quantity	1
--------------------	---

Packaging Method	Bulk
------------------	------

Other

Serviceable	No
-------------	----

Connector Position Assurance Capable	No
--------------------------------------	----

Product Compliance

[For compliance documentation, visit the product page on TE.com>](#)

EU RoHS Directive 2011/65/EU	Compliant
------------------------------	-----------



EU ELV Directive 2000/53/EC	Compliant
China RoHS 2 Directive MIIT Order No 32, 2016	No Restricted Materials Above Threshold
EU REACH Regulation (EC) No. 1907/2006	Current ECHA Candidate List: JUNE 2022 (224) Candidate List Declared Against: JAN 2021 (211) SVHC > Threshold: Not Yet Reviewed
Halogen Content	BFR/CFR/PVC Free, but Br/Cl >900 ppm in other sources.
Solder Process Capability	Not reviewed for solder process capability

Product Compliance Disclaimer

This information is provided based on reasonable inquiry of our suppliers and represents our current actual knowledge based on the information they provided. This information is subject to change. The part numbers that TE has identified as EU RoHS compliant have a maximum concentration of 0.1% by weight in homogenous materials for lead, hexavalent chromium, mercury, PBB, PBDE, DBP, BBP, DEHP, DIBP, and 0.01% for cadmium, or qualify for an exemption to these limits as defined in the Annexes of Directive 2011/65/EU (RoHS2). Finished electrical and electronic equipment products will be CE marked as required by Directive 2011/65/EU. Components may not be CE marked. Additionally, the part numbers that TE has identified as EU ELV compliant have a maximum concentration of 0.1% by weight in homogenous materials for lead, hexavalent chromium, and mercury, and 0.01% for cadmium, or qualify for an exemption to these limits as defined in the Annexes of Directive 2000/53/EC (ELV). Regarding the REACH Regulation, the information TE provides on SVHC in articles for this part number is based on the latest European Chemicals Agency (ECHA) 'Guidance on requirements for substances in articles' posted at this URL: <https://echa.europa.eu/guidance-documents/guidance-on-reach>

Compatible Parts

TE Part # CAT-M4595-T273
MCON, RECEPTACLE AND TAB

TE Part # 2203774-1
4POS, MCON 1.2 CB TAB 1p TL SEALED

TE Part # 2272162-1
MCON WIRE DRESS, 4P, STRAIGHT

TE Part # 2272163-1
MCON WIRE DRESS, 4P, RIGHT ANGLE

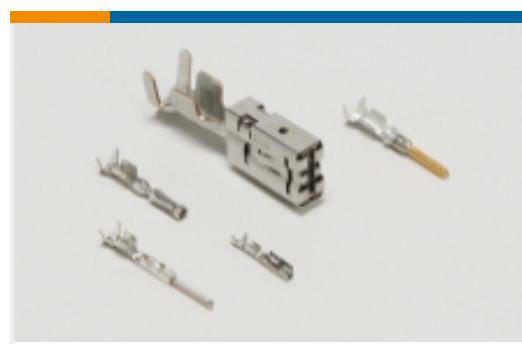
Also in the Series | MCON Interconnection System

Automotive Connector Caps & Covers (24)

Automotive Connector Locks & Position Assurance(11)

Automotive Housings(288)

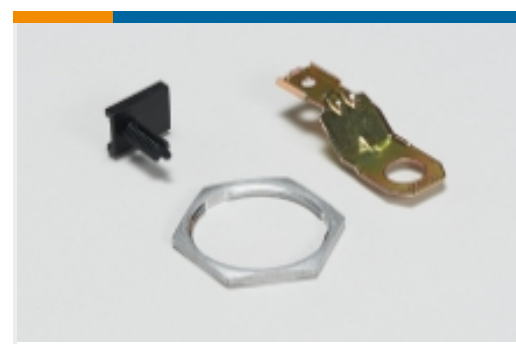
Automotive Seals & Cavity Plugs(4)



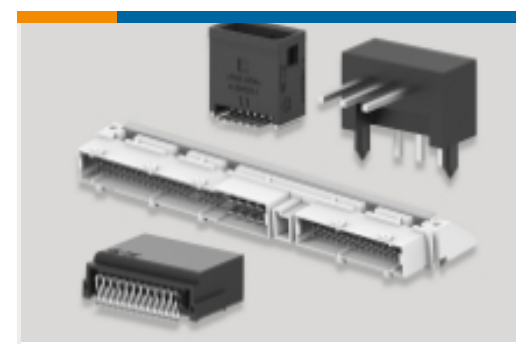
Automotive Terminals(113)



Insertion & Extraction Tools(31)



Other Automotive Connector Accessories(6)

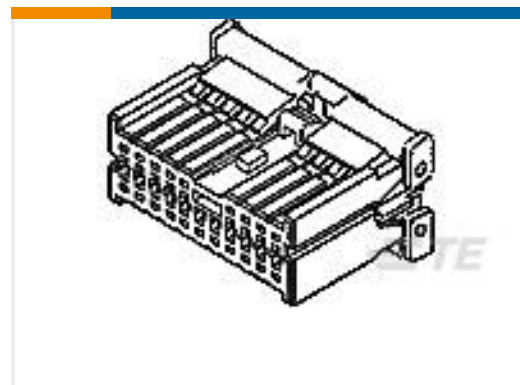


PCB Headers & Receptacles(1)

Customers Also Bought



TE Part #1473143-1
TH/.025 CONNECTOR SYSTEM,
HOUSING



TE Part #1123371-1
040-3 MLC PLUG HSG ASSY 16P



TE Part #776001-1
RECPT TERMINAL 1.5MM OBD CONN



TE Part #1674311-7
0.64 III RCPT 3 Serrations Pre-Tin



TE Part #1746816-1
0.64/2.3II SEALED CONNECTOR
126POS WIRE



TE Part #1318620-3
025 ANCHOR HEIGHT SENSOR 4POS
PLUG HSG



TE Part #2174106-1
PLUG HOUSING ASSEMBLY 50POS 0.5
/1.0



TE Part #2174114-1
WIRE COVER ASSEMBLY 50POS 0.5/1.
0 SEALED

Documents

Product Drawings

4POS, MCON 1.2 CB REC 1p TL SEALED

English

CAD Files

3D PDF

3D

Customer View Model

[ENG_CVM_CVM_2203773-1_A.2d_dxf.zip](#)

English

Customer View Model

[ENG_CVM_CVM_2203773-1_A.3d_igs.zip](#)

English

Customer View Model

[ENG_CVM_CVM_2203773-1_A.3d_stp.zip](#)

English

By downloading the CAD file I accept and agree to the [Terms and Conditions](#) of use.



Datasheets & Catalog Pages

MCON Interconnection System

English

Product Environmental Compliance

Product Compliance

English

Product Compliance

English

Instruction Sheets

Instruction Sheet (U.S.)

English