

Component-to-wire connectors

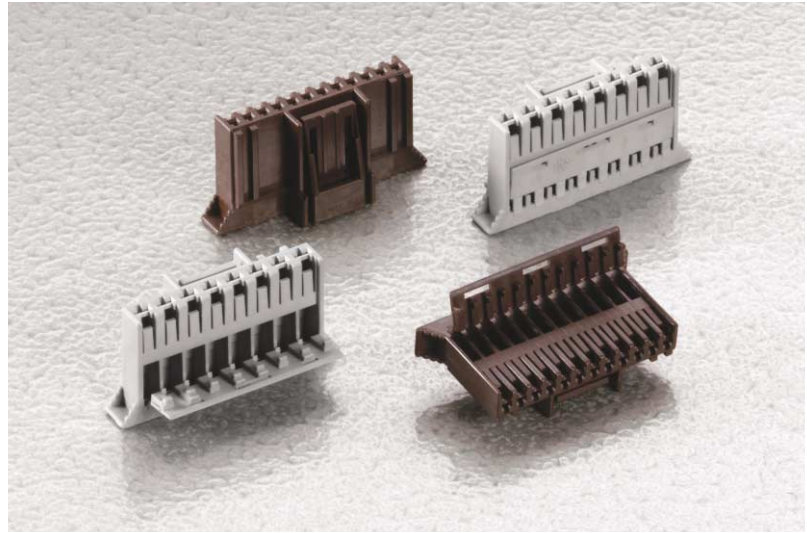


Sicma

8/12 way female housing for 1.5 & 2.8 mm terminals

Features

- High density female housing
- Available in 12 position for 1.5 mm terminals at a 3.33 mm pitch and in 8 position for 2.8 mm terminals at a 5 mm pitch
- Hinge secondary lock for terminal position assurance (T.P.A.)
- Mechanical polarization
- Several colour codings available



Performance characteristics

- Temperature range: from -25°C to +125°C
- Contact retention force: > 100 N
- Contact insertion force: < 7 N

Construction

- Housing material: PBT

Tooling

- Terminal removal tool: 210S045

Connector compatibility

- Usable terminals:
 - Sicma-2 1.5 mm female terminals
 - Sicma-2 2.8 mm female terminals
 - Sicma-3 1.5 mm female terminals
 - Sicma-3 2.8 mm female terminals

Part Numbers	No. of position	Terminal size	Colour
211 PC083S7017	8	2.8 mm	Purple
211 PC083S9017	8	2.8 mm	Crystal
211 PC083S1017	8	2.8 mm	Brown
211 PC083S8017	8	2.8 mm	Grey
211 PC083S0017	8	2.8 mm	Black
211 PC122S7017	12	1.5 mm	Purple
211 PC122S9017	12	1.5 mm	Crystal
211 PC122S1017	12	1.5 mm	Brown
211 PC122S8017	12	1.5 mm	Grey
211 PC122S0017	12	1.5 mm	Black

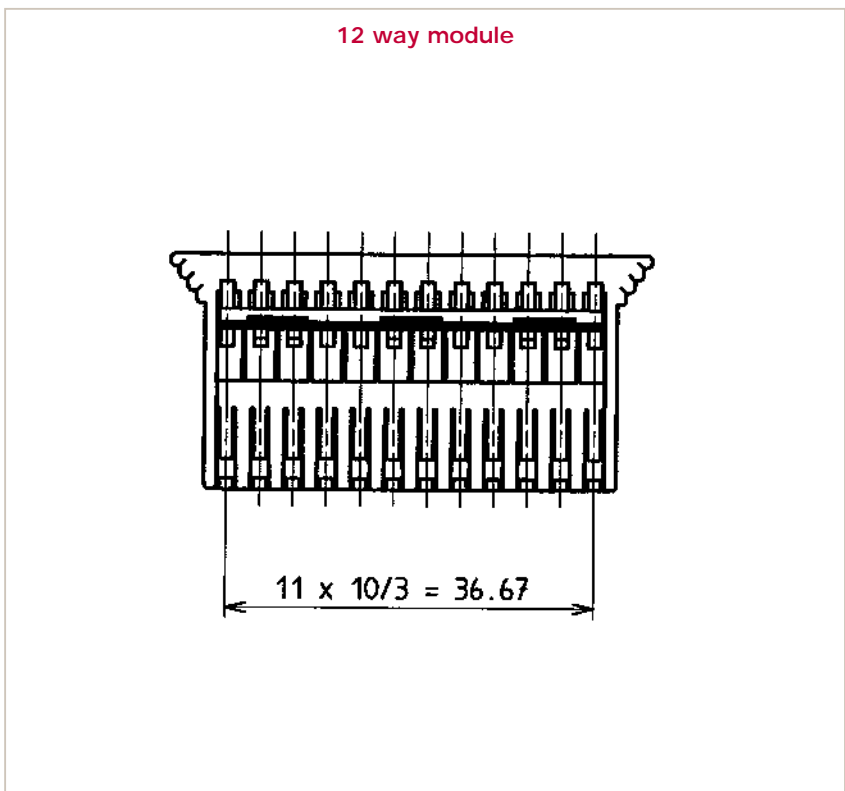
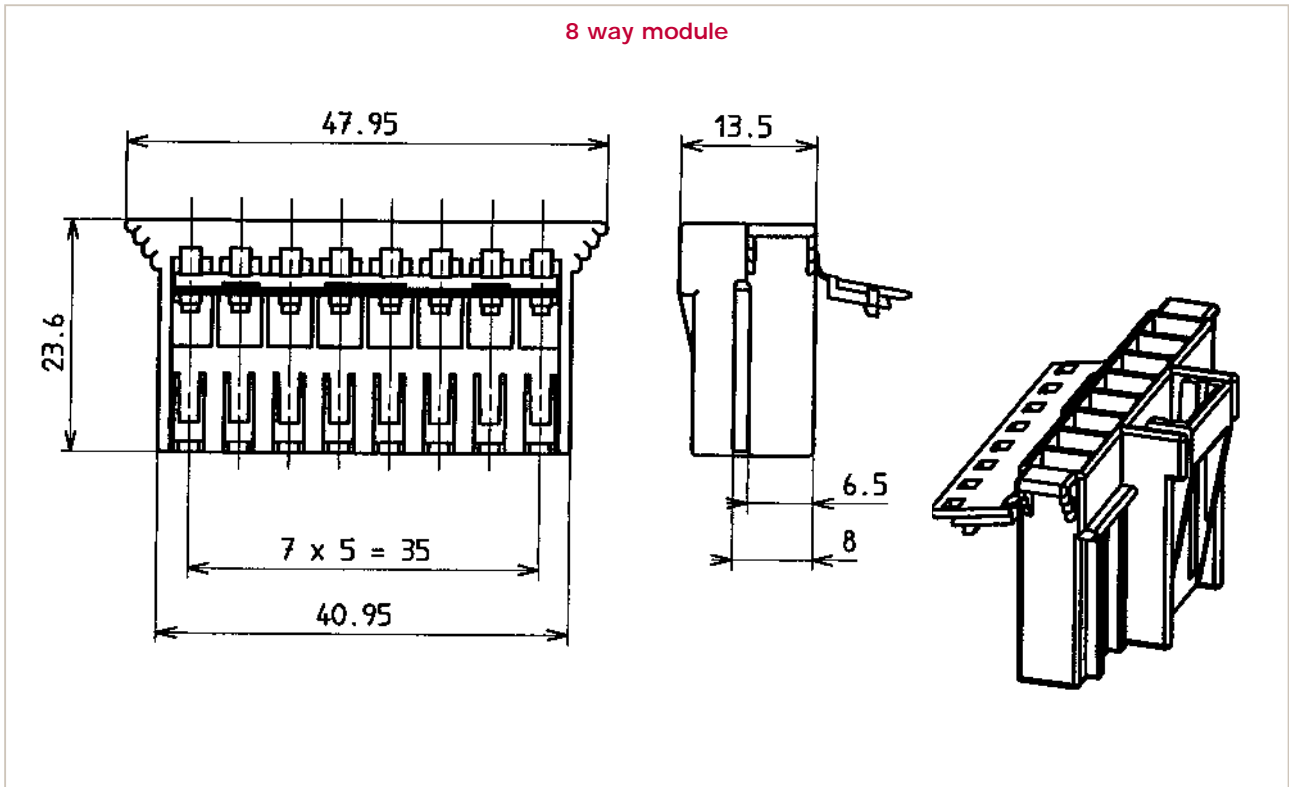
Component-to-wire connectors



Sicma

8/12 way female housing for 1.5 & 2.8 mm terminals

Dimensional characteristics



Notes:

Direct Links ...

- Cross Reference
- RoHS/LF P/N search
- Document & Drawing search
- Application tooling

Services ...

- Contact us
- Distributor list
- Pricing request
- Order samples

Literature ...

- Brochures & catalogs
- Product documentation
- Technical library

Start > Search=211PC083S0017* > **211PC083S0017**

211PC083S0017



211PC083S0017

8 way Component-to-Wire Female housing

ACTIVE

[Customer Drawing](#)

Automotive division

[Assistant](#) [Add to Favorites](#)

[Email Datasheet](#) [Print Datasheet](#)

FCI Brings You More

- [Contact our sales/technical support](#)
- [Sample request](#)
- [Price request](#)

Specifications

General Physical Terminal 1 Type Environmental Other Features

General

Application	Wire to Device
Ways	8
Coding version	Black
Product Type	Housing
Coding	Yes
Family	Wire to Device
Features	Mechanical Polarization High Density Housing

	Hinge Secondary Lock for Terminal Position Assurance
Hybrid	No
Main Terminal family	Sicma
Main Terminal size	1.5 mm
Sealed	No
Terminal Size	1.5
Physical	
Color	Black
Material	PBT
Temperature (Range)	-25°C to +125°C
Terminal 1 Type	
Terminal type 1	Sicma Female 2.8 mm Terminal
Ways for Terminal Type 1	8
Contact insertion force for Terminal Type 1	< 7N
Contact Pitch for Terminal Type 1	5 mm
Retention force (Contact) for Terminal Type 1	> 100N
Environmental	
IMDS	Yes
Other Features	
Type	Female
Disclaimer	For more Information, please contact your local sales office. Displayed data is for information purposes only. The supply of some products might be limited to some customers.