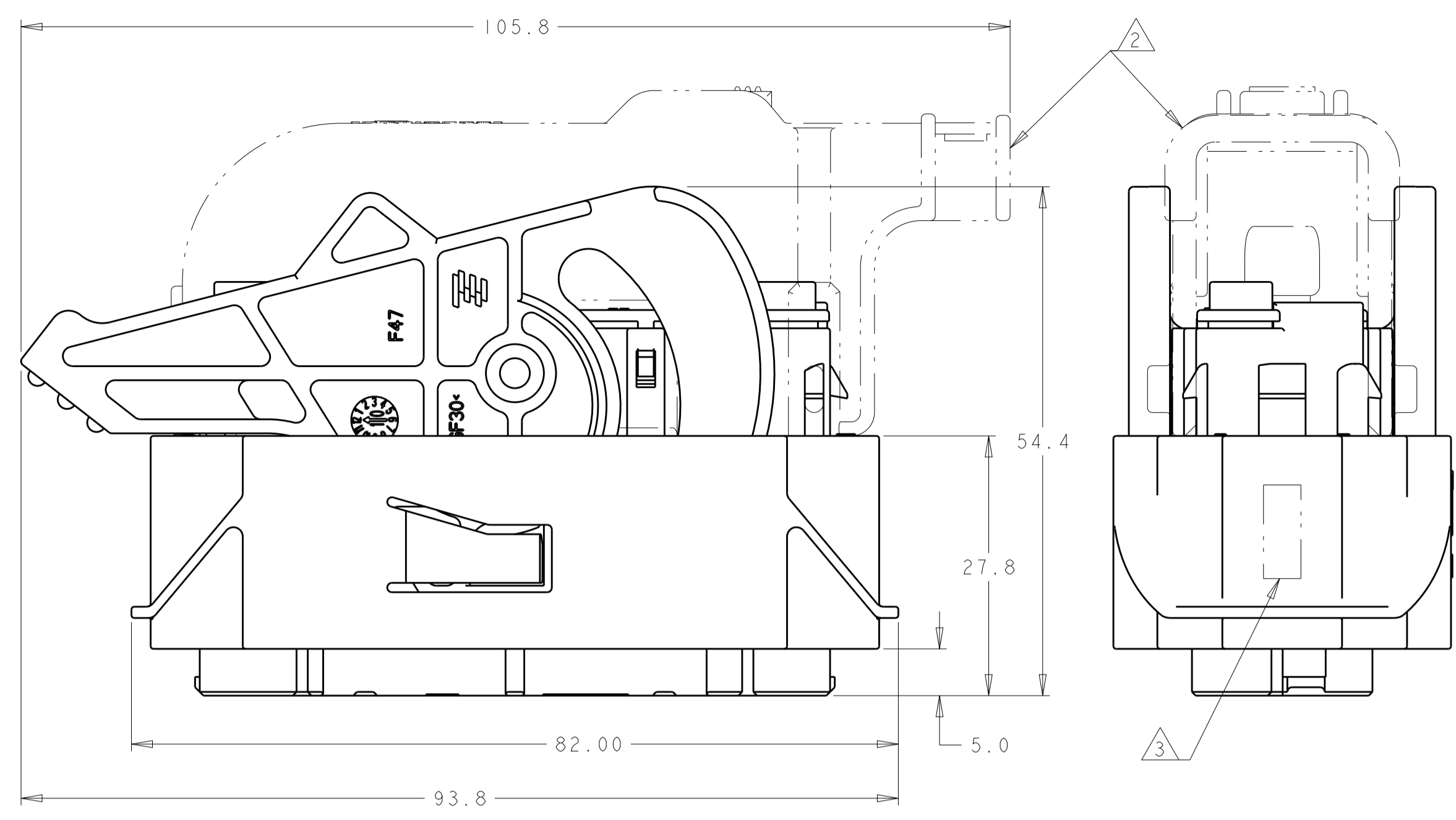
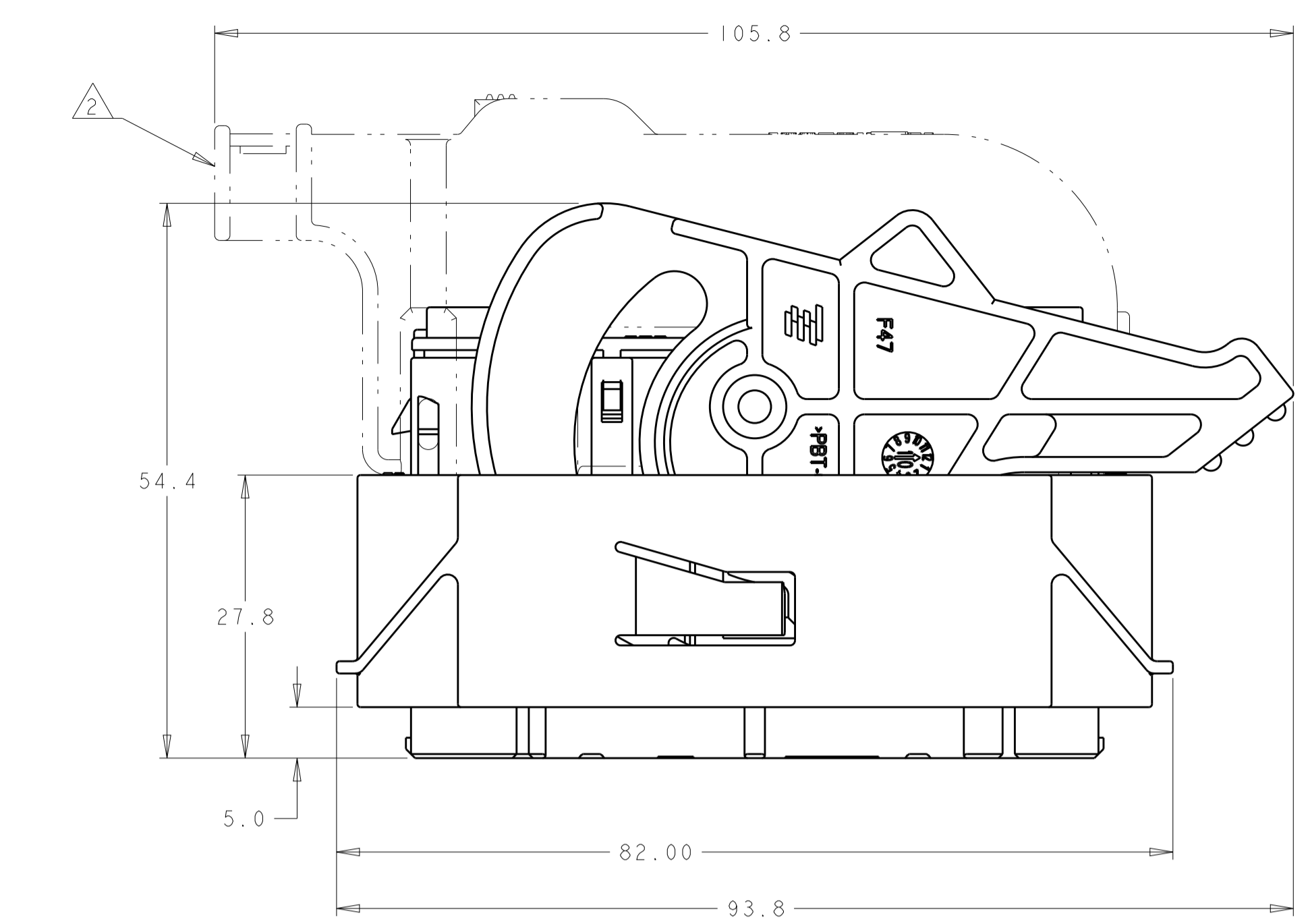
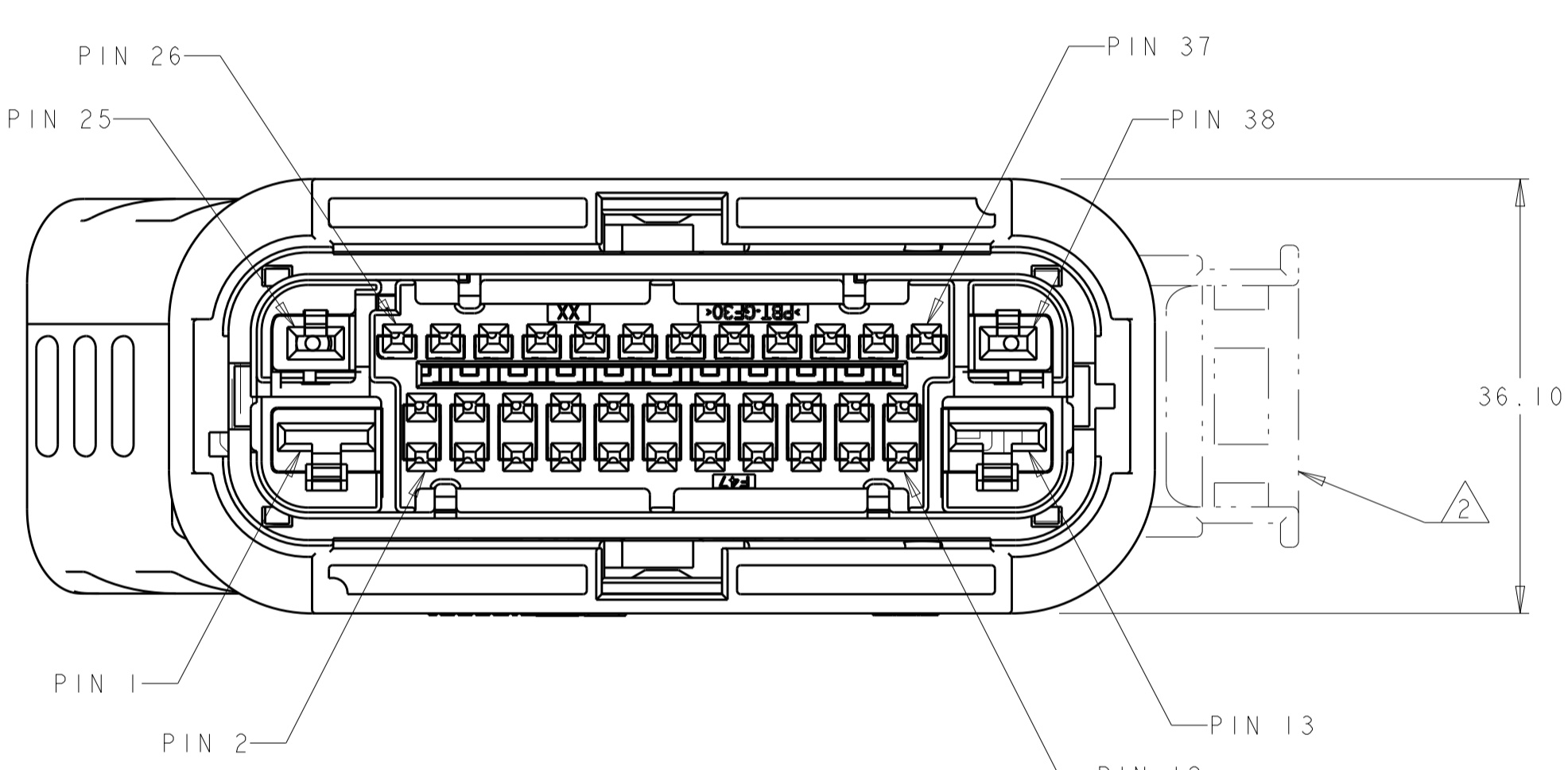
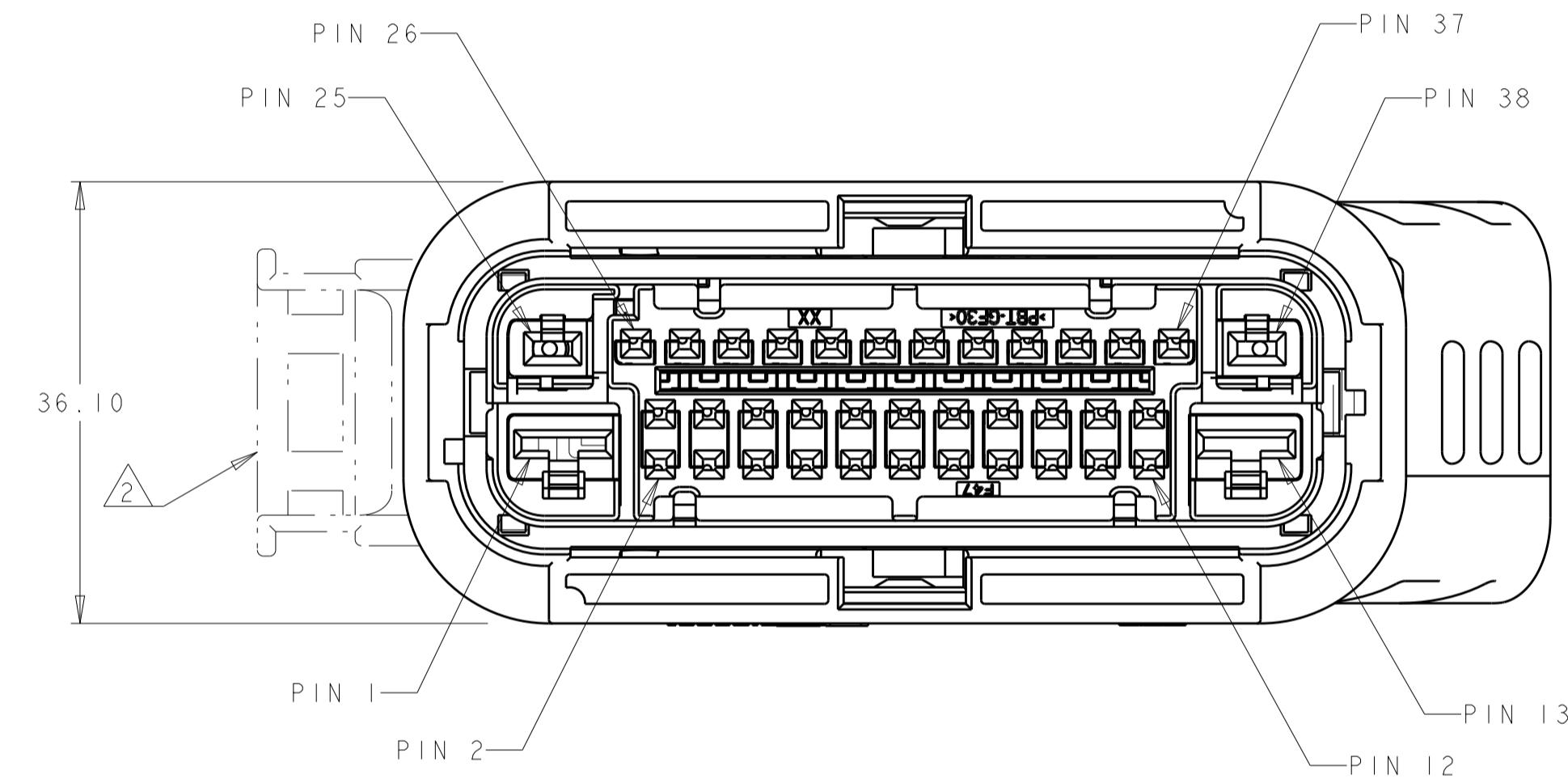


REVISIONS					
P.	LTN.	DESCRIPTION	DATE	OWN.	APPR.
B8		REVISED PER ECO-18-000800	16 JAN 2018	JMS	JS
B9		REVISED PER ECO-18-013602	27 AUG 2018	JMS	JS
B10		REVISED PER ECO-18-016624	19 OCT 2018	JMS	JS
B11		REVISED PER ECO-18-017381	02 NOV 2018	JMS	JS



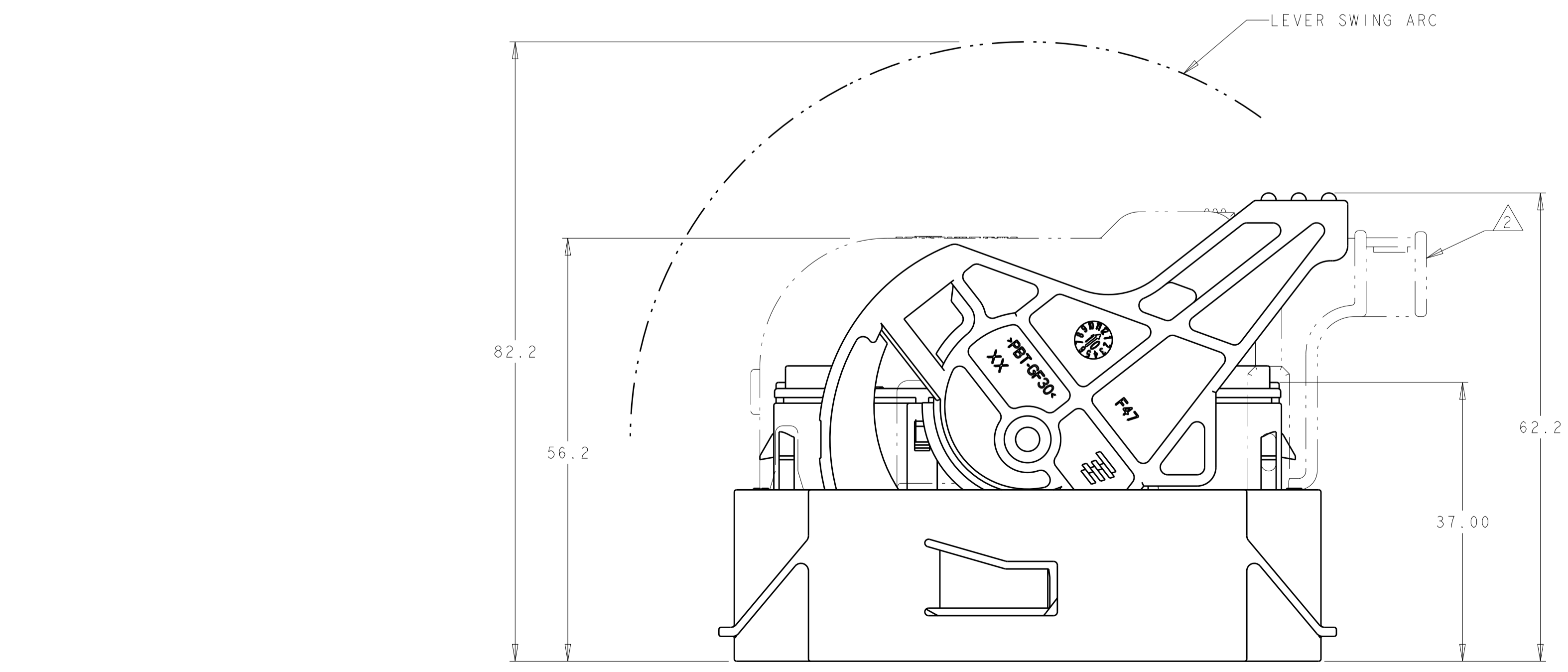
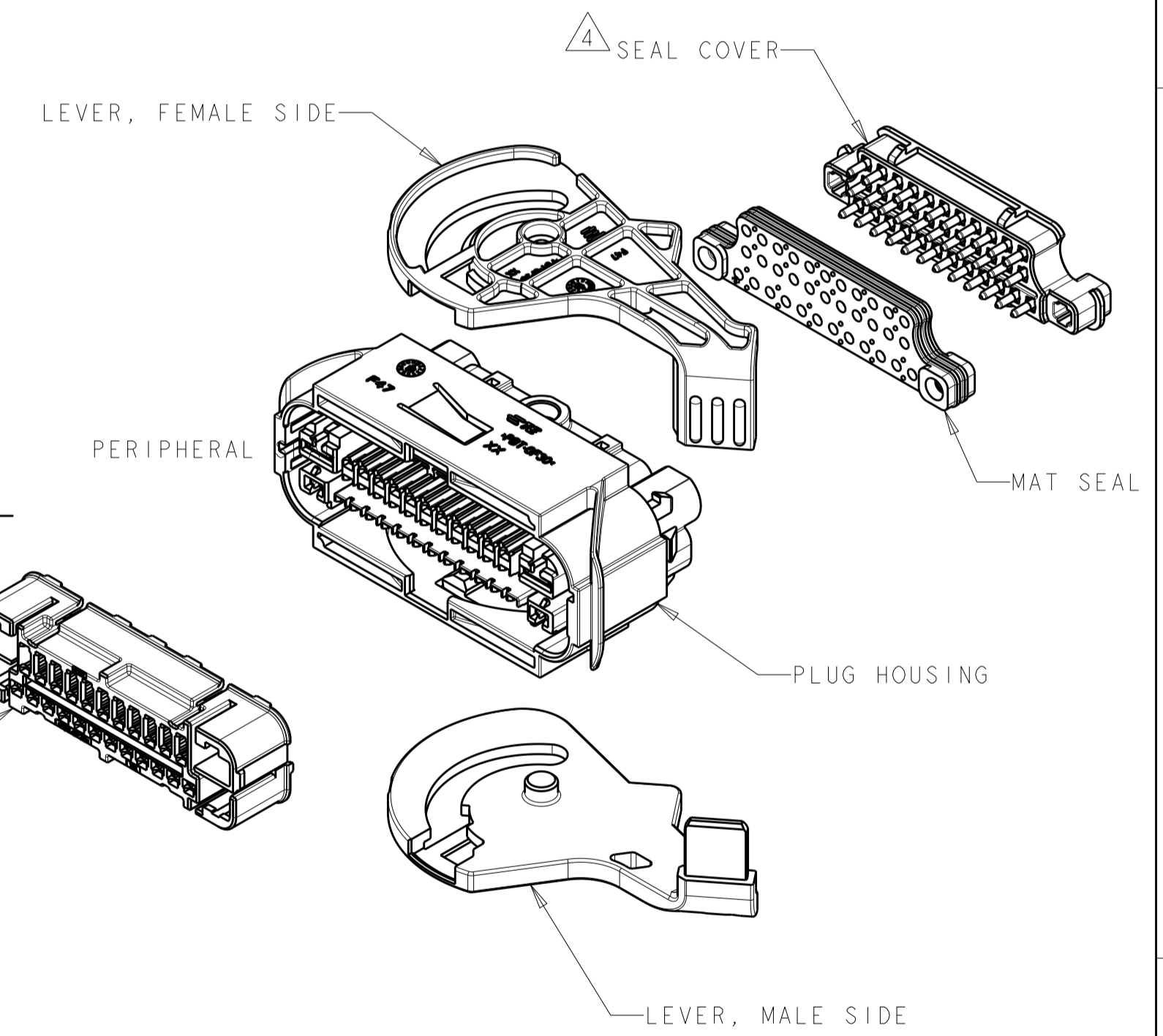
- MATERIAL:**  
 HOUSING AND SEAL COVER - PBT, 30% GLASS-FILLED, COLOR: BLACK  
 TPA - PBT, 30% GLASS-FILLED, COLOR: NATURAL  
 LEVER - PBT, 30% GLASS-FILLED, COLOR: GRAY  
 PERIPHERAL SEAL - SILICONE RUBBER, COLOR: GREEN  
 MAT SEAL - SILICONE RUBBER, COLOR: LIGHT BLUE
- 2 WIRE DRESS COVER, P/N 2098811-1, SHOWN FOR REFERENCE ONLY AND MUST BE ORDERED SEPARATELY.
  - 3 ASSEMBLY MANUFACTURING DATE CODE AND TE PART NUMBER ARE PERMANENTLY MARKED IN APPROX LOCATION.
  - 4 SEAL PLUGS ARE REMOVED FROM THE APPROPRIATE CIRCUIT CAVITIES IN THE SEAL COVER PER THE PINOUT TABLE ON SHEET 2.
  - 5. CONNECTOR WITH TIN PLATED HARNESS SIDE TERMINALS MUST BE MATED TO SILVER PLATED BLADES IN THE HEADER INTERFACE TO MEET USCAR-2 ELECTRICAL/ENVIRONMENTAL REQUIREMENTS.
  - 6. 2.8mm TERMINALS MUST USE 1.5-2.5mm<sup>2</sup> WIRE, HAVING 125° C TEMPERATURE RATING AND INSULATION O.D. OF 2.2-3.0mm.
  - 7. USCAR-2 FORCE TO ENGAGE/UNSEAT FROM PRELOCK POSITION SHALL BE 8N MINIMUM AND 75 N MAXIMUM. (SECTION 5.4.3.3A OF USCAR-2, REV. 5)
  - 8. FOR TERMINALS USED, REFER TO INSTRUCTION SHEET.

TPA AND LEVER SHOWN IN PRE-LATCHED AS SHIPPED, POSITION



PN 2272223-X SHOWN LEFT CABLE EXIT

PN 2138659-X SHOWN RIGHT CABLE EXIT



PN 2138659-X SHOWN WITH TPA AND LEVER IN CLOSED, MATED POSITION

SEE SHEET 2 FOR ASSIGNED PART NUMBERS AND BLOCKING PATTERNS


THIS DRAWING IS A CONTROLLED DOCUMENT.		OWN DL DRUMMOND 21 JUL 2011	
DIMENSIONS: mm		CHK HOY BECK 21 JUL 2011	
TOLERANCES UNLESS OTHERWISE SPECIFIED:		APR HOY BECK 21 JUL 2011	NAME
0 PLC ±	1 PLC ±0.5	PRODUCT SPEC	PLUG ASSEMBLY, 38 POSITION, SEALED HYBRID, ABS, EUCON
2 PLC ±0.20	3 PLC ±	APPLICATION SPEC	SIZE CAGE CODE DRAWING NO RESTRICTED TO
4 PLC ±	ANGLES ±	408-32022	A100779C=2138659
MATERIAL	FINISH	WEIGHT	CUSTOMER DRAWING SCALE 2:1 SHEET 1 OF 2 REV B11

REVISIONS				
P.	LTN	DESCRIPTION	DATE	APP'D
-	-	SEE SHEET 1	-	-

---	1-2138659-9	O	X	X		X	X	X		X	X	X	X	O		X					X	X	X	X	O		X		X		X	X	X	X	O
---	1-2138659-8	O		X		X	X			X	X	X	O	X					X		X	X	X	O	X					X	X	X	X		O
2272223-3	1-2138659-7	O	X	X		X	X		X		X		O	X				X	X	X	X	X	O	X		X		X	X	X	X		O		
---	1-2138659-6	O	X	X		X	X	X	X		X	O	X		X	X		X		X	O	X			X	X		X	X		X		O		
---	1-2138659-5	O	X	X		X	X	X		X	X	O	X					X	X	X	X	O	X		X		X		X	X	X	X		O	
---	1-2138659-4	O	X	X	X	X	X	X	X		X	O	X	X	X	X	X	X	X	X	X	X	O		X		X	X		X				O	
---	1-2138659-3	O	X	X	X	X		X	X	X		X	O	X	X	X	X	X	X	X	X	X	O				X							O	
---	1-2138659-2	O	X	X	X	X		X	X	X		X	O	X	X	X	X	X	X	X	X	X	O				X				X			O	
---	1-2138659-1	O	X	X	X	X	X	X	X		X	O	X	X	X	X	X	X	X	X	X	X	O				X							O	
---	1-2138659-0	O	X	X	X	X		X	X	X		X	O	X	X	X	X	X	X	X	X	X	O		X		X	X		X				O	
---	2138659-9	O		X		X	X		X	X	X	X	O	X				X		X	X	X	O	X		X		X	X	X	X		O		
---	2138659-8	O	X	X		X	X	X		X	X	X	X	O	X			X	X	X	X	X	O	X		X		X	X	X	X	X		O	
---	2138659-7	O		X		X	X	X		X	X	X	X	O	X			X	X	X	X	O	X		X		X		X	X	X	X		O	
2272223-2	2138659-6	O	X	X		X	X		X	X	O	X					X	X	X	X	O	X		X		X	X	X	X					O	
---	2138659-5	O				X	X		X	X	X	O	X				X	X	X	X	O				X				X	X	X		O		
---	2138659-4	O		X		X	X		X	X	X	X	O	X			X	X	X	X	O	X		X				X	X	X				O	
---	2138659-3	O	X			X	X		X	X	O	X				X	X	X	X	O	X		X		X		X	X	X					O	
---	2138659-2	O	X	X		X	X		X	X	O	X				X	X	X	X	O	X		X		X		X	X	X					O	
2272223-1	2138659-1	O											O																					O	

PART NUMBER	PART NUMBER	1	2	3	4	5	6	7	8	9	10	11	12	13	14	15	16	17	18	19	20	21	22	23	24	25	26	27	28	29	30	31	32	33	34	35	36	37	38
LEFT CABLE EXIT	RIGHT CABLE EXIT	CIRCUIT DESIGNATIONS MARKED WITH "X" ARE CLOSED CIRCUITS, EMPTY BOX INDICATES A CLEARED SEAL PLUG FEATURE																																					
		CIRCUITS 1, 13, 25, AND 38 ARE ALWAYS OPEN - MARKED "O"																																					

### PINOUT CONFIGURATION TABLE

THIS DRAWING IS A CONTROLLED DOCUMENT.		OWN: DL DRUMMOND 21JUL2011	 TE Connectivity
DIMENSIONS: mm		CHK: HOY BECK 21JUL2011	
TOLERANCES UNLESS OTHERWISE SPECIFIED:		AP'D: HOY BECK 21JUL2011	NAME: PLUG ASSEMBLY, 38 POSITION, SEALED HYBRID, ABS, EUCON
0 PLC ±0.5		PRODUCT SPEC	SIZE: CAGE CODE DRAWING NO
2 PLC ±0.20		APPLICATION SPEC	RESTRICTED TO
3 PLC ±		408-32022	A100779C=2138659
4 PLC ±		WEIGHT	SCALE 1:1 SHEET 2 OF 2
ANGLES ±		CUSTOMER DRAWING	REV B1
FINISH			