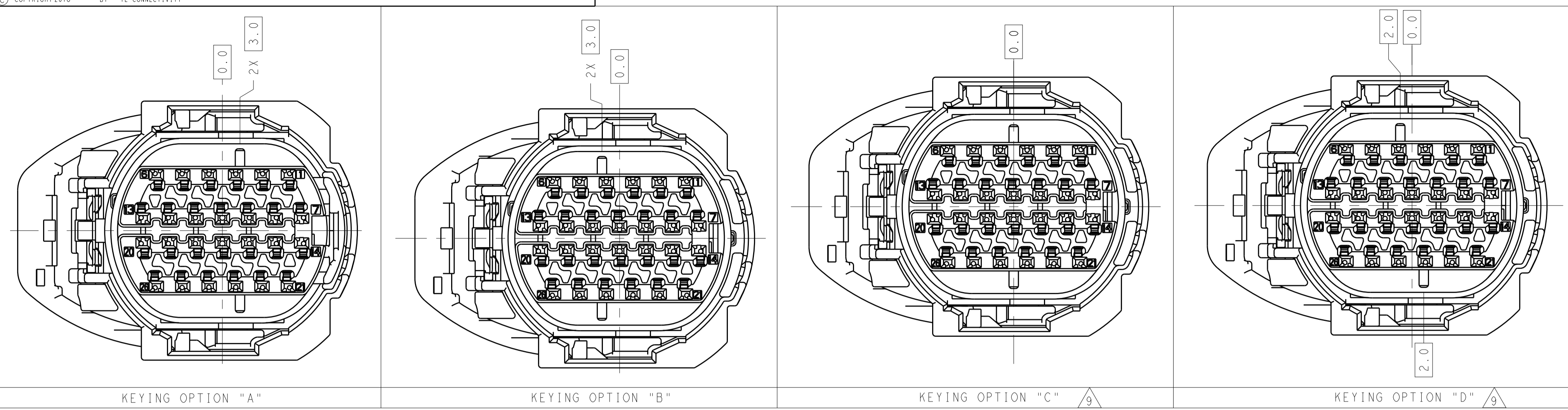
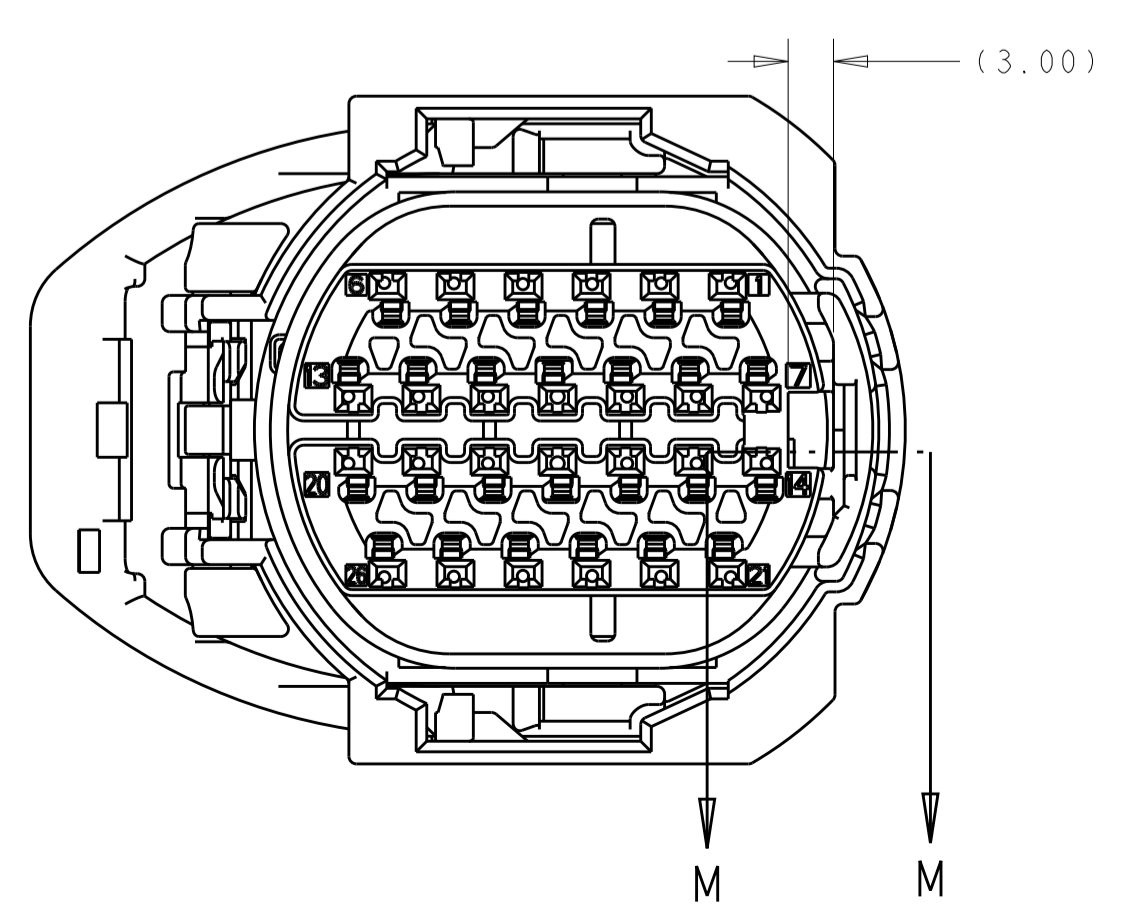
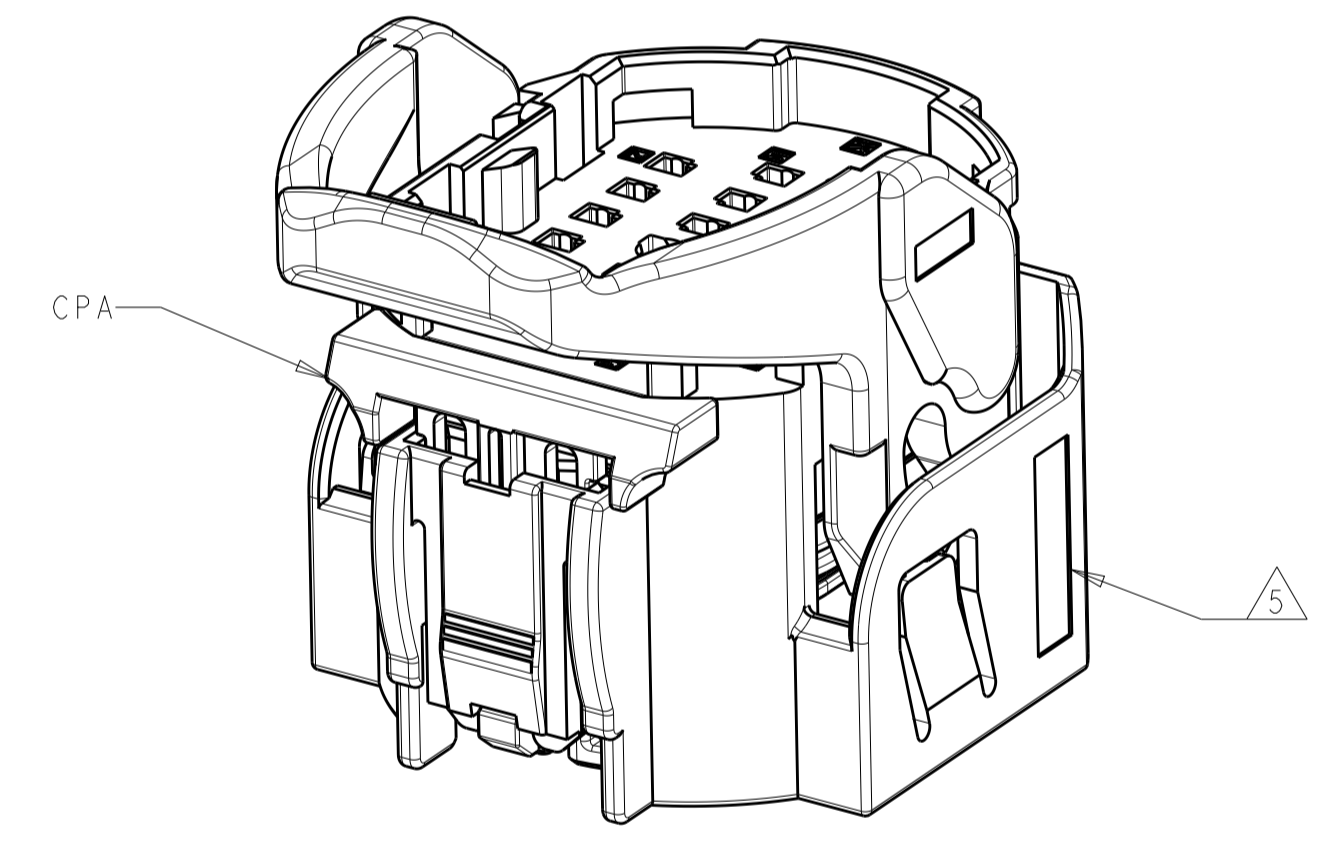
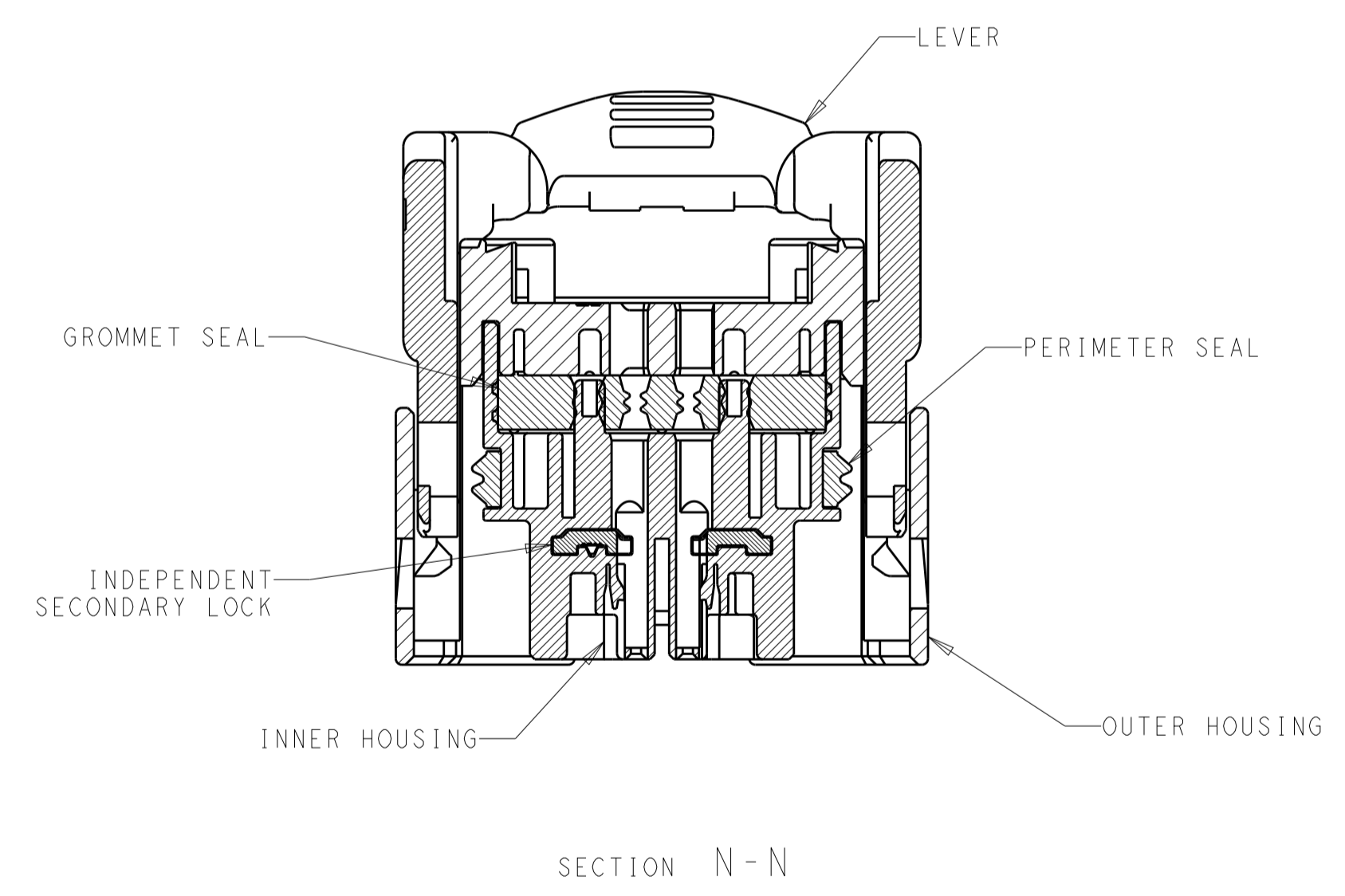
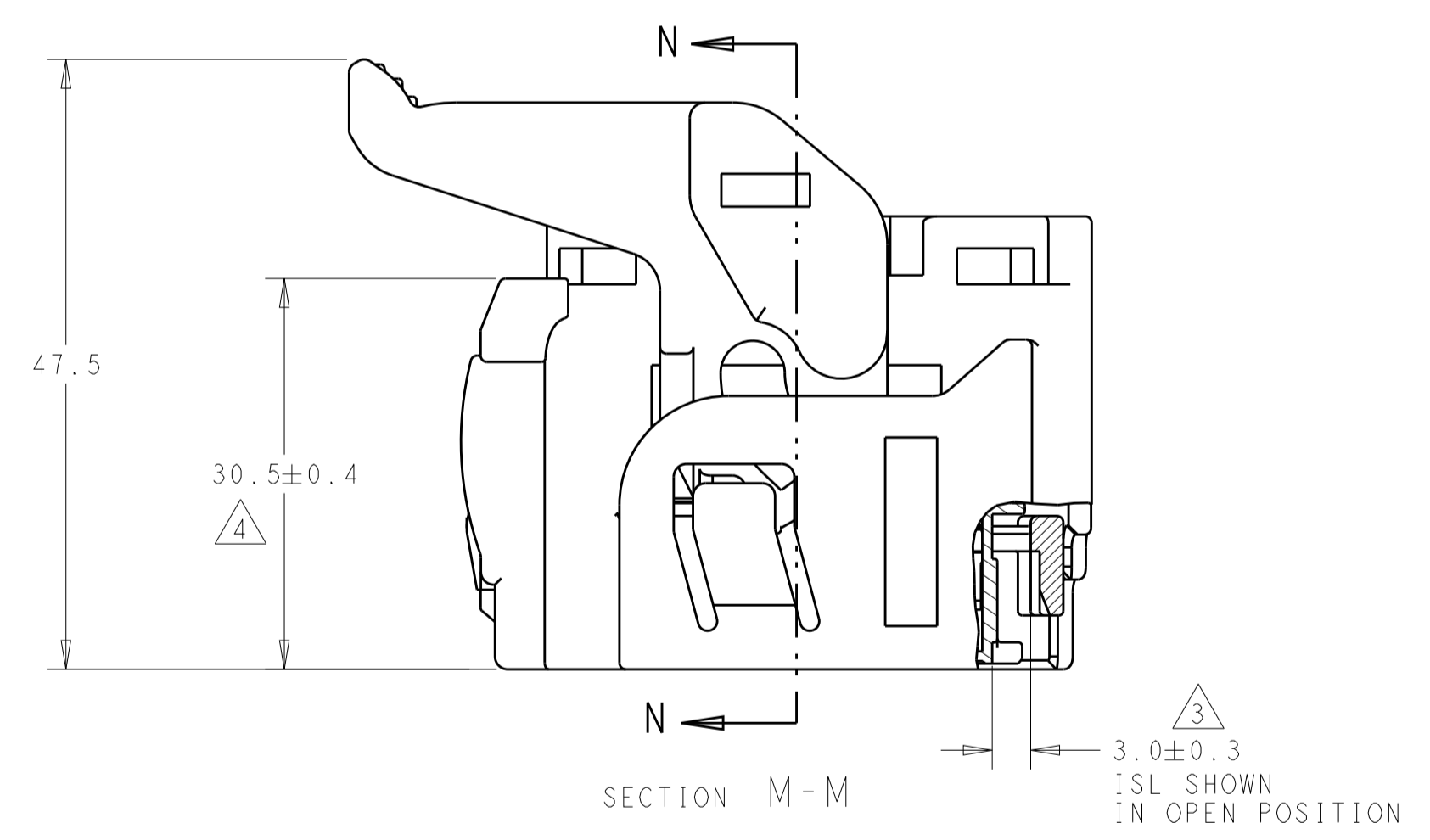
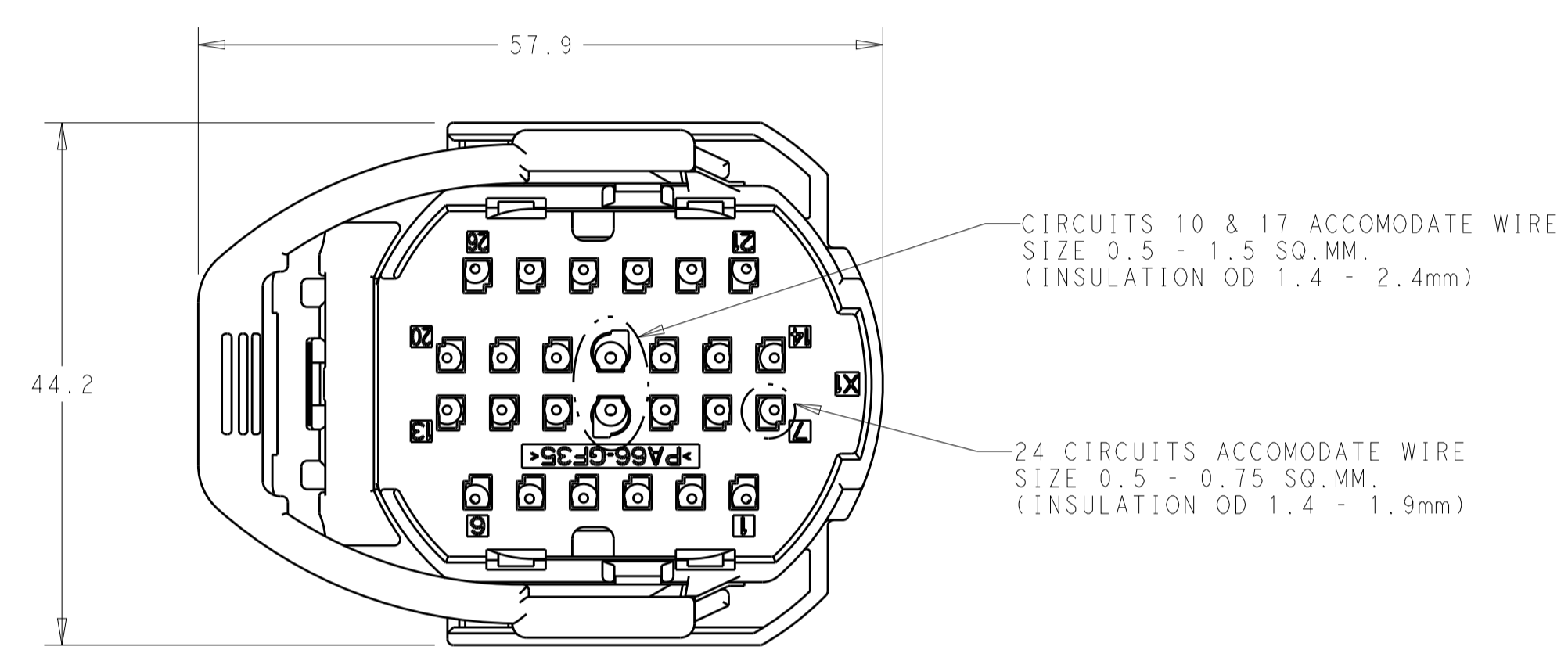


REVISIONS					
P.	LTN	DESCRIPTION	DATE	DMN	APVD
A1		REVISE PER ECR-17-007518	14JUN2017	AJV	AJV
A2		REVISE PER ECR-18-003981	03MAR2018	MB	GM
A3		REVISE PER ECO-18-007692	16MAY2018	JMS	GM
A4		REVISE PER ECO-18-012171	01AUG2018	JMS	GM



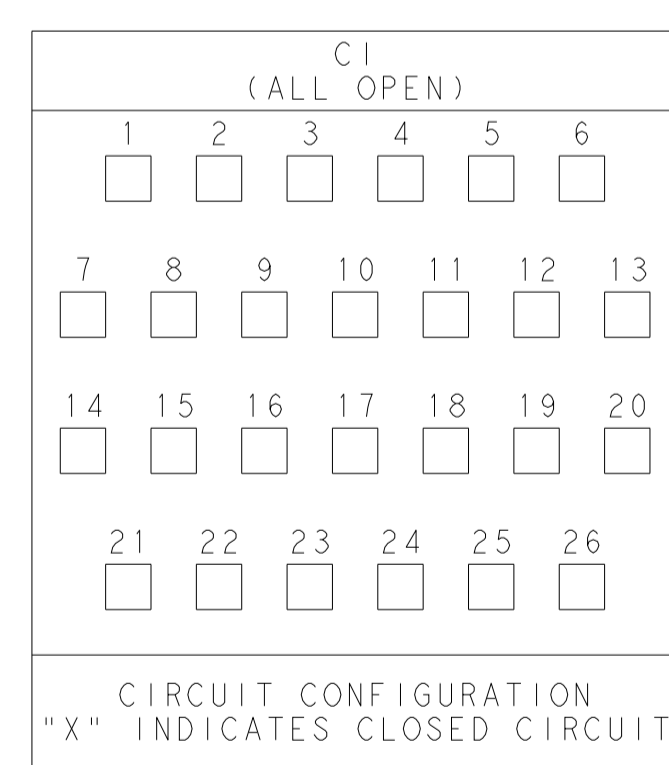
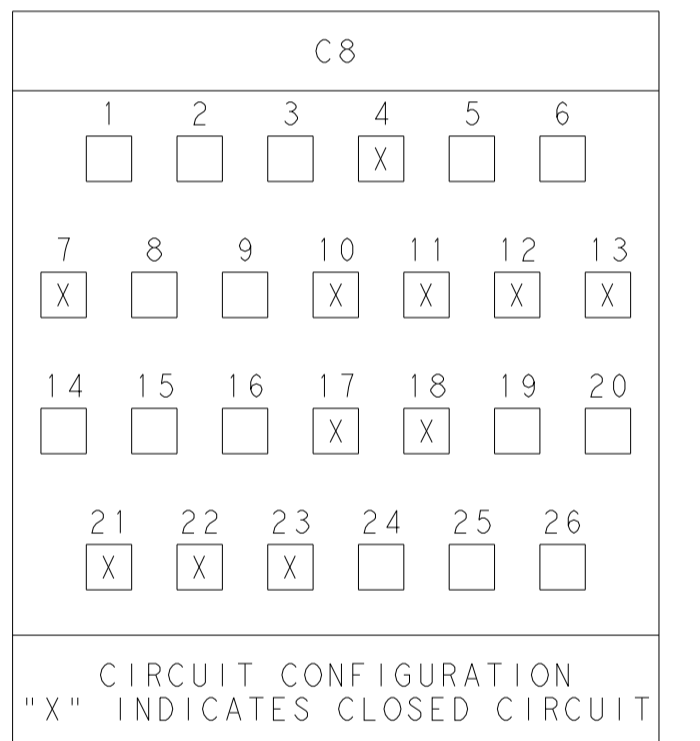
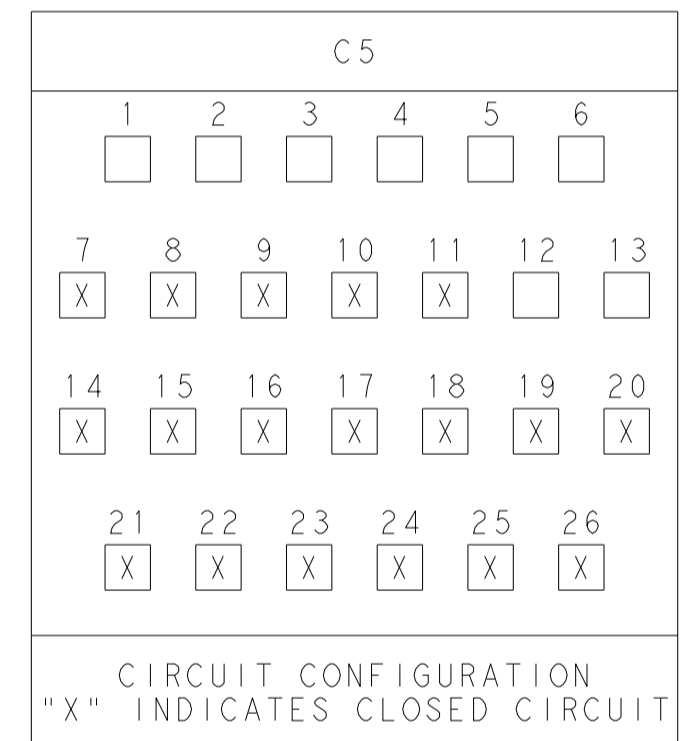
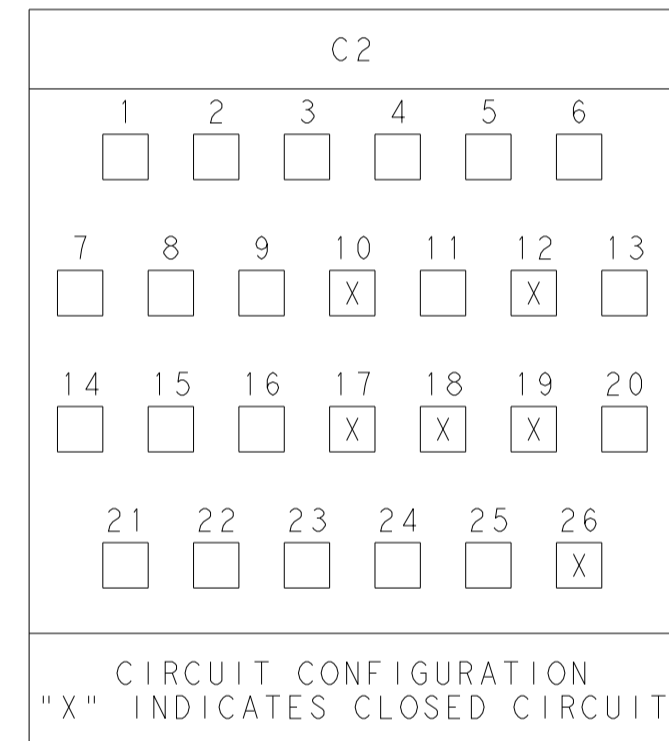
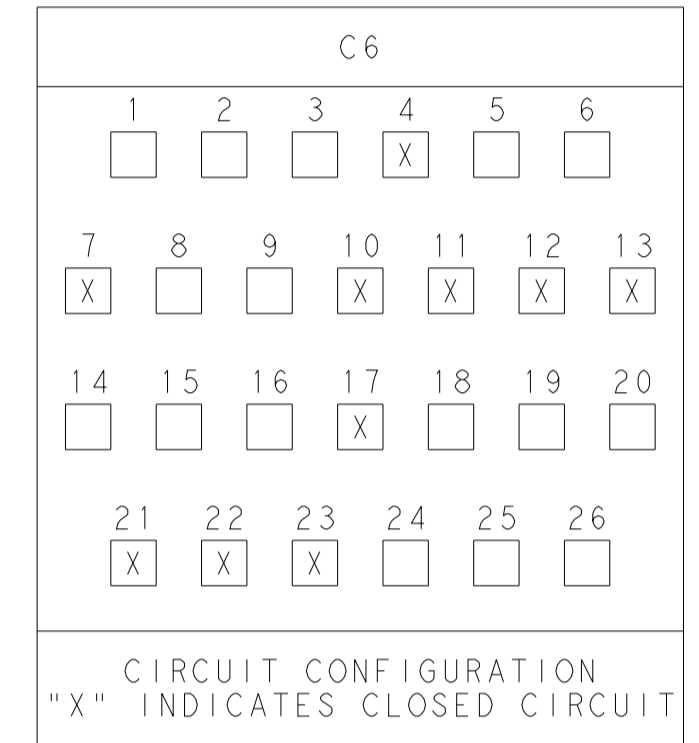
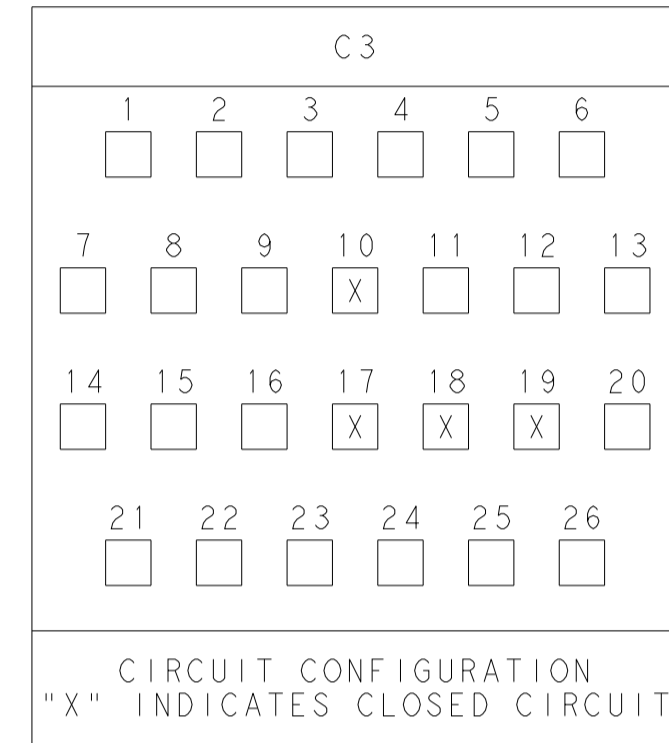
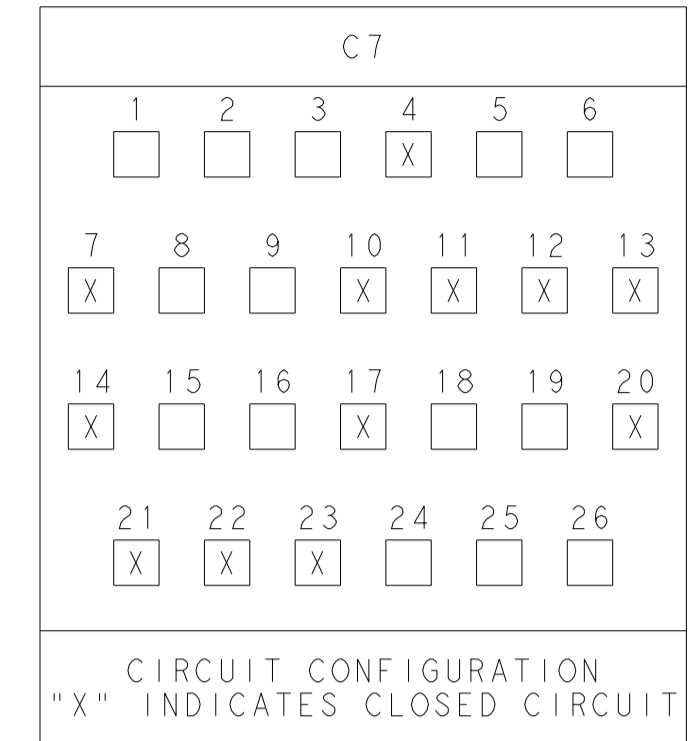
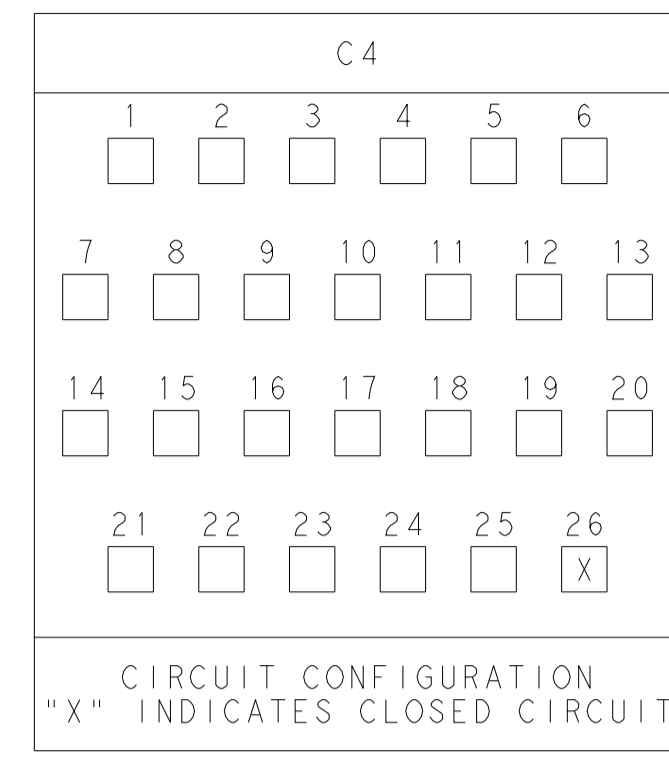
- NOTES:
- MATERIAL:
 INNER HOUSING-NYLON 6/6, 35% GLASS FILLED, BLACK
 OUTER HOUSING-NYLON 6/6, 35% GLASS FILLED, BLACK
 PERIMETER SEAL-SILICONE RUBBER, INHERENTLY LUBRICATED, GREEN
 GROMMET SEAL-SILICONE RUBBER, INHERENTLY LUBRICATED, BLUE
 ISL-NYLON 6/6, 35% GLASS FILLED, GRAY
 CPA-PBT, 30% GLASS FILLED, RED
 LEVER-NYLON 6/6, 35% GLASS FILLED, GRAY
 - 2203973-1 SHOWN IN GENERAL VIEWS.
 - ISL SHOWN IN PRE-SET, SHIPPING POSITION.
 - CPA SHOWN IN PRE-SET, SHIPPING POSITION.
 - TE PART NO. AND JULIAN DATE CODE (YY-DDD) MARKED IN APPROXIMATE LOCATION.
 - APPLICABLE TERMINALS: MCON 1.2 CLEAN BODY
 TE P/N 1670144-X (0.5-0.75 SQ.MM.) ALL CIRCUITS
 TE P/N 1452503-X (1.0-1.5 SQ.MM.) CIRCUITS 10 AND 17 ONLY.
 - MATES WITH TE HEADER ASSEMBLY: 2297721-X
 - SEE SHEET 2 FOR PART NUMBER TABLE WITH KEYING AND CIRCUIT CONFIGURATION OPTIONS.
 - PRELIMINARY DESIGN - NOT TOOLED.
 - APPLICABLE CAVITY PLUGS FOR UNUSED CIRCUITS:
 TE P/N 1-1452424-2 (FOR CIRCUITS 10 & 17 ONLY)
 TE P/N 1-1452424-1 (FOR ALL CIRCUITS EXCEPT 10 & 17)



THIS DRAWING IS A CONTROLLED DOCUMENT.		DMN: CHETHAN.K 13NOV2013	TE Connectivity
DIMENSIONS: mm		CHK: A.VASBLINDER 15NOV2013	
TOLERANCES UNLESS OTHERWISE SPECIFIED:		APVD: A.VASBLINDER 15NOV2013	NAME: 26P SEALED MCON FEMALE ASSEMBLY
0 PLC ±	1 PLC ±0.5	PRODUCT SPEC	SIZE: A1
2 PLC ±0.3	3 PLC ±	APPLICATION SPEC	CAGE CODE: -
4 PLC ±	ANGLES ±°	WEIGHT: 408-32149	DRAWING NO: C=2203973
MATERIAL: FINISH		CUSTOMER DRAWING	SCALE: 2:1
			SHEET 1 OF 2
			REV: A4

REVISIONS				
P.	LTN	DESCRIPTION	DATE	APP'D
-	-	SEE SHEET 1	-	-

FORD	C1YB01F-A	EU5T-14A464-MAA-007	C8	A	1-2203973-1
FORD	V611/625	EU5T-14A464-MAA-006	C7	A	1-2203973-0
FORD	C482	EU5T-14A464-MAA-005	C6	A	2203973-9
FORD	CD6	EU5T-14A464-MAA-004	C5	A	2203973-8
FORD	CABLE SHIFT / STOP-START	EU5T-14A464-MAA-003	C4	A	2203973-7
FORD	SHIFT BY WIRE / NON STOP-START	EU5T-14A464-MAA-002	C3	A	2203973-6
FORD	CABLE SHIFT / NON STOP-START	EU5T-14A464-MAA-001	C2	A	2203973-5
VARIOUS	SHIFT BY WIRE / STOP-START VARIOUS (ALL OPEN)	VARIOUS	C1	D	2203973-4
			C1	C	2203973-3
			C1	B	2203973-2
			C1	A	2203973-1
OEM	APPLICATION	CUSTOMER PART NUMBER	CIRCUIT CONFIGURATION	KEYING CONFIGURATION	PART NUMBER



BLOCKED	4, 7, 10, 11, 12, 13, 17, 18, 21, 22, 23	A	1-2203973-1
	4, 7, 10, 11, 12, 13, 14, 17, 20, 21, 22, 23	A	1-2203973-0
	4, 7, 10, 11, 12, 13, 17, 21, 22, 23	A	2203973-9
	7, 8, 9, 10, 11, 14, 15, 16, 17, 18, 19, 20, 21, 22, 23, 24, 25, 26	A	2203973-8
	26	A	2203973-7
	10, 17, 18, 19	A	2203973-6
	10, 12, 17, 18, 19, 26	A	2203973-5
ALL OPEN	D	2203973-4	
ALL OPEN	C	2203973-3	
ALL OPEN	B	2203973-2	
ALL OPEN	A	2203973-1	
CIRCUIT CONFIGURATION	KEYING CONFIGURATION	PART NUMBER	

THIS DRAWING IS A CONTROLLED DOCUMENT.

DIMENSIONS: mm	TOLERANCES UNLESS OTHERWISE SPECIFIED:	DRN: CHEZHAN.K 13NOV2013	CHK: A.VASBINDER 15NOV2013	APVD: A.VASBINDER 15NOV2013
0 PLC ±0.5	1 PLC ±0.3	2 PLC ±0.3	3 PLC ±0.3	4 PLC ±0.3
ANGLES ±°	FINISH	PRODUCT SPEC	APPLICATION SPEC	408-32149
MATERIAL	FINISH	WEIGHT	SIZE: A1	CAGE CODE: -
CUSTOMER DRAWING		SCALE: 2:1	DRAWING NO: 2203973	SHEET 2 OF 2

RESTRICTED TO REV A4