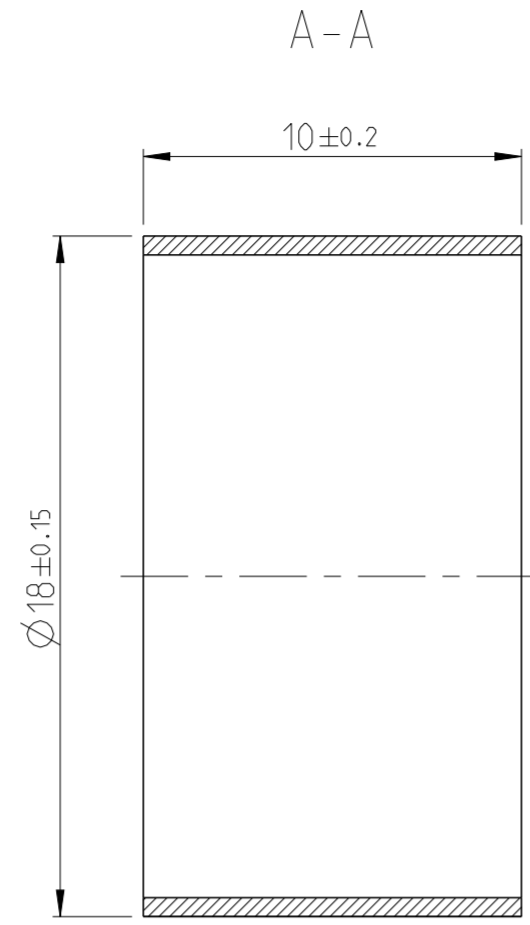
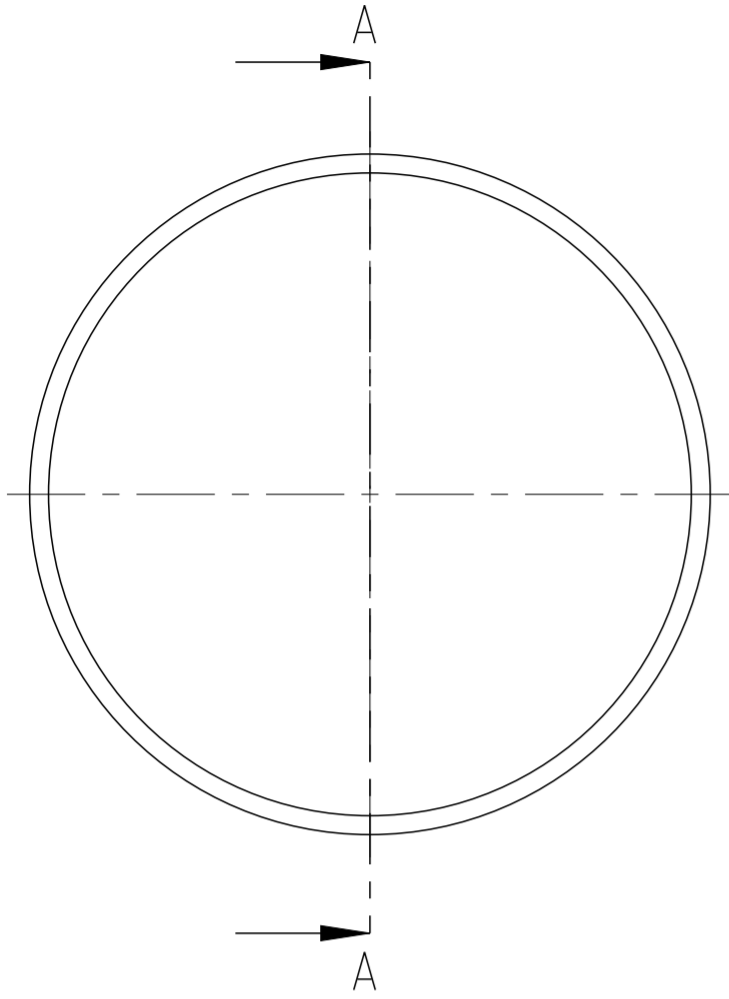
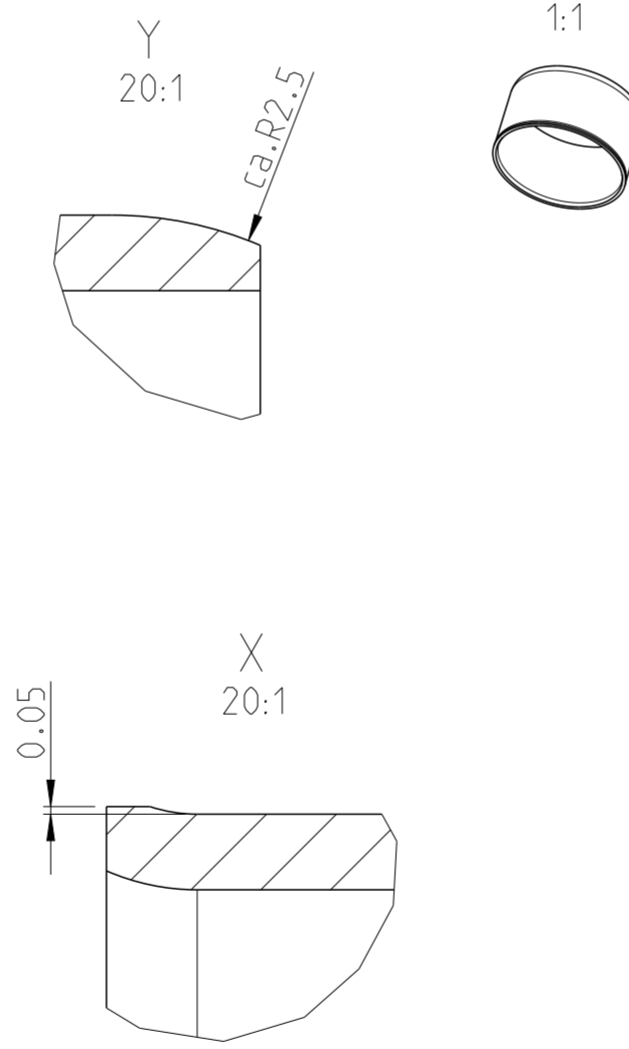
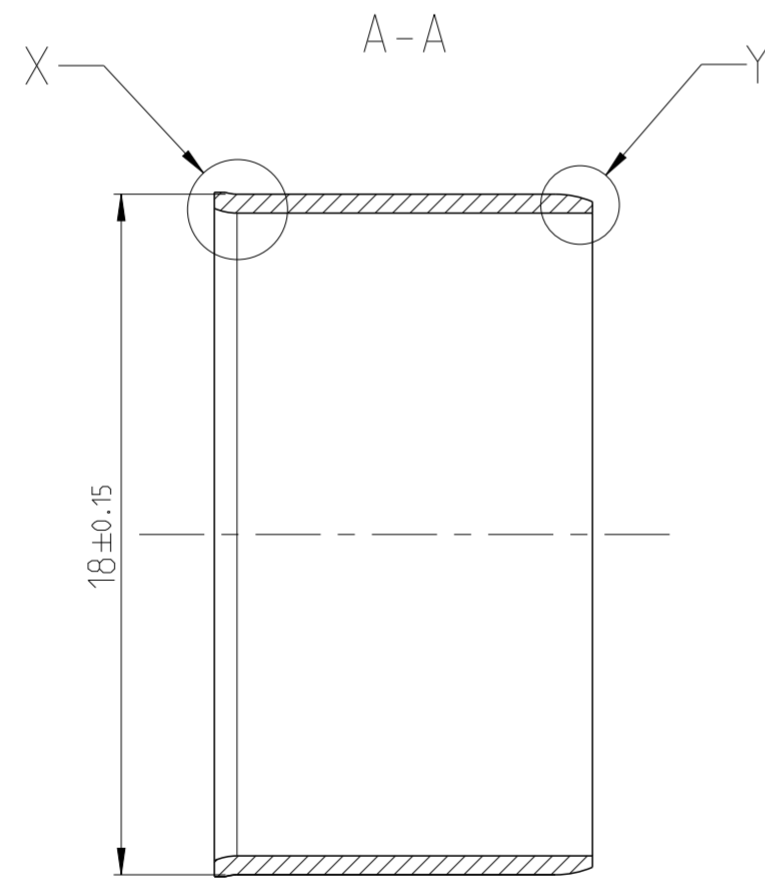
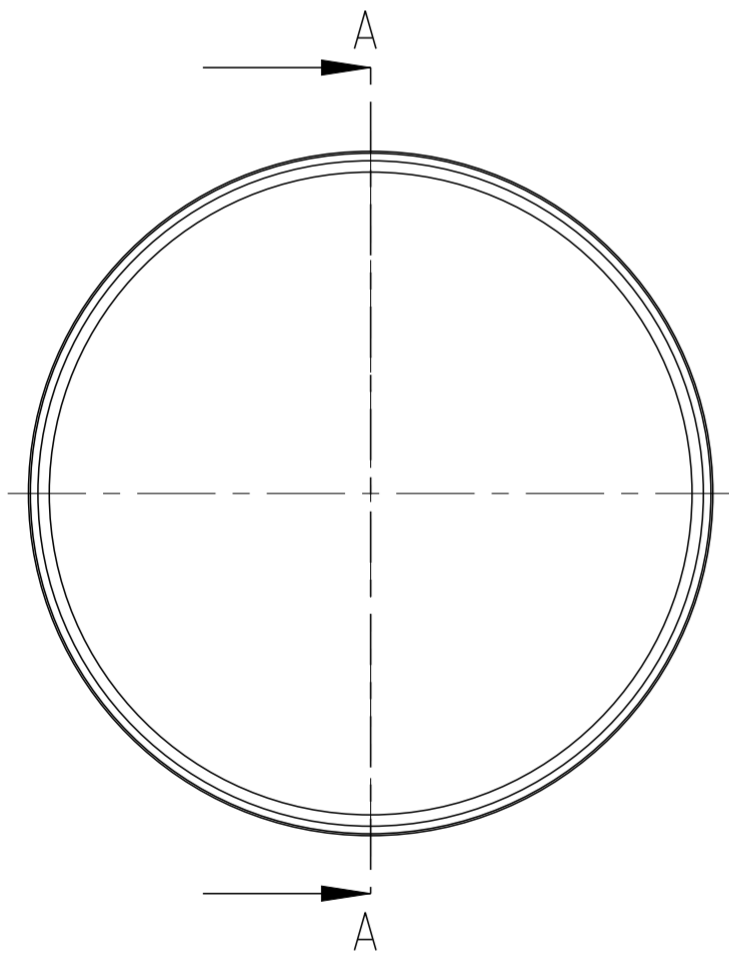


THIS DRAWING IS UNPUBLISHED. RELEASED FOR PUBLICATION 2017
 © COPYRIGHT 2017 TE Connectivity Germany GmbH ALL RIGHTS RESERVED.

VERSION I



VERSION II



REVISIONS				
P	LTR	DESCRIPTION	DATE	APVD
1		NEW DRAWING	06MAY2011	TS HV
2		Drawing reworked.	26JUL2012	JTO DHV
A		Add 0-2177061-1 at drawing. Rework drawing.	10OCT2013	JTO DHV
B		Sheet 2. obsolete	14JUN2016	W SA DHV
C		ADDED VERSION II	09MAY2017	CR DHV

NOTES:

Bemerkungen:

- 1 ONLY THE GERMAN LANGUAGE IS AUTHORITATIVE
Massgebend ist der deutsche Text
- 2 PACKAGING: BULK PACKAGING IN SHIPPING BOX
Verpackung: Schuettgut in Versandkarton

NOTE Bem.	FEATURE Merkmal
3	PRODUCT-SPEC. 108-94297 Produkt-Spez.
4	APPLICATION-SPEC. 114-94130 Verarbeitungs-Spez.

0-2177061-2	SHIELD CRIMP FERRULE Untercrimphuelse	STAINLESS STEEL 1.4301 Edelstahl 1.4301	2.2	BLANK blank	SERIEL-TOOL Serien-Werkzeug	II
0-2177061-1	SHIELD CRIMP FERRULE Untercrimphuelse	STAINLESS STEEL 1.4301 Edelstahl 1.4301	2.2	BLANK blank	SERIEL-TOOL Serien-Werkzeug	I
TE-ORDER-NO. TE-Bestell-Nr.	DESCRIPTION Benennung	MATERIAL	WEIGHT [G] Gewicht [g]	SURFACE Oberflaeche	TOOL	VERS.

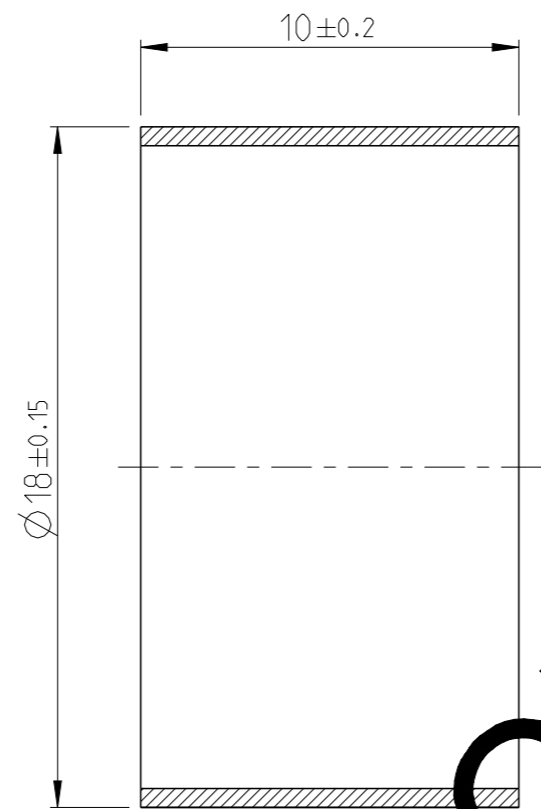
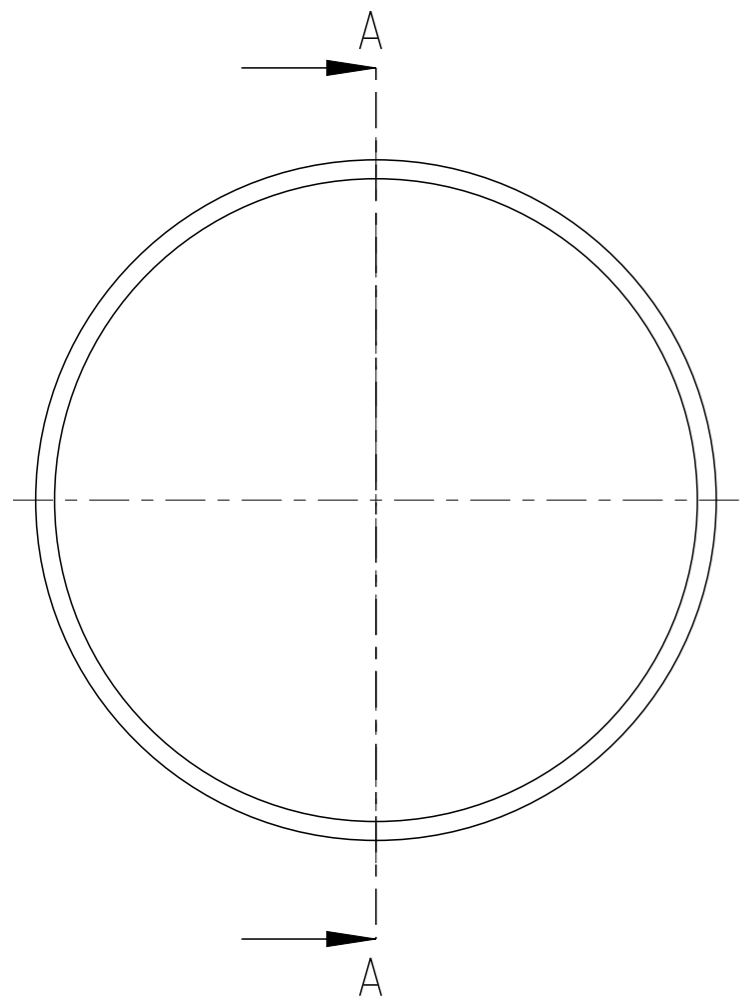
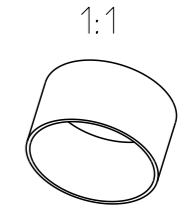
THIS DRAWING IS A CONTROLLED DOCUMENT.

DWN T. Salzman	06MAY2011	 TE Connectivity								
CHK U. Hoepfner	09MAY2011									
APVD D.H.Vu	09MAY2011									
NAME	SHIELD CRIMP FERRULE Untercrimphuelse									
DIMENSIONS: mm	TOLERANCES UNLESS OTHERWISE SPECIFIED: DIN ISO 0 PLC ± 2768 1 PLC ± - mk 2 PLC ± 3 PLC ± 4 PLC ± ANGLES ±° FINISH	<table border="1"> <tr> <td>SIZE</td> <td>CAGE CODE</td> <td>DRAWING NO</td> <td>RESTRICTED TO</td> </tr> <tr> <td>A2</td> <td>100779</td> <td>C-2177061</td> <td>-</td> </tr> </table>	SIZE	CAGE CODE	DRAWING NO	RESTRICTED TO	A2	100779	C-2177061	-
SIZE	CAGE CODE	DRAWING NO	RESTRICTED TO							
A2	100779	C-2177061	-							
MATERIAL	-	<table border="1"> <tr> <td>WEIGHT</td> <td>SEE TABLE A2</td> <td>SCALE</td> <td>5:1</td> <td>SHEET</td> <td>1 OF 2</td> <td>REV</td> <td>C</td> </tr> </table>	WEIGHT	SEE TABLE A2	SCALE	5:1	SHEET	1 OF 2	REV	C
WEIGHT	SEE TABLE A2	SCALE	5:1	SHEET	1 OF 2	REV	C			

THIS DRAWING IS UNPUBLISHED. RELEASED FOR PUBLICATION 2011
 © COPYRIGHT 2011 Tyco Electronics AMP GmbH ALL RIGHTS RESERVED.

LOC	DIST	REVISIONS			
P	LTR	DESCRIPTION	DATE	DWN	APVD
AI	-	SEE SHEET 1	-	-	-

9-2177061-1	SHIELD CRIMP FERRULE Untercrimphuelse	STAINLESS STEEL 1.4301 Edelstahl 1.4301	2.2	BLANK blank	LOW-VOLUME-TOOL Kleinserien-Werkzeug
TE-ORDER-NO. TE-Bestell-Nr.	DESCRIPTION Benennung	MATERIAL	WEIGHT [G] Gewicht [g]	SURFACE Oberflaeche	TOOL



OBSOLETE!

- NOTES:
Bemerkungen:
- ONLY THE GERMAN LANGUAGE IS AUTHORITATIVE
Maßgebend ist der deutsche Text
 - PACKAGING: BULK PACKAGING IN SHIPPING BOX
Verpackung: Schuettgut in Versandkarton

NOTE Bem.	FEATURE Merkmal
3	PRODUCT-SPEC. 108-94297 Produkt-Spez.
4	APPLICATION-SPEC. 114-94130 Verarbeitungs-Spez.

9- -1 AS SHOWN
wie gezeichnet

THIS DRAWING IS A CONTROLLED DOCUMENT.		DWN T.Salman 06MAY2011	TE Connectivity				
DIMENSIONS: mm		CHK U.Hoepfner 09MAY2011					
TOLERANCES UNLESS OTHERWISE SPECIFIED:		APVD D.H.Vu 09MAY2011	NAME SHIELD CRIMP FERRULE Untercrimphuelse				
0 PLC ±- DIN ISO 1 PLC ±- 2768 2 PLC ±- - mK 3 PLC ±- 4 PLC ±- ANGLES ±- FINISH SEE TABLE		PRODUCT SPEC -	SIZE A3	CAGE CODE 00779	DRAWING NO C=2177061	RESTRICTED TO -	
MATERIAL SEE TABLE		APPLICATION SPEC -	WEIGHT SEE TABL	SCALE 5:1	SHEET 2	OF 2	REV C
Customer Drawing							